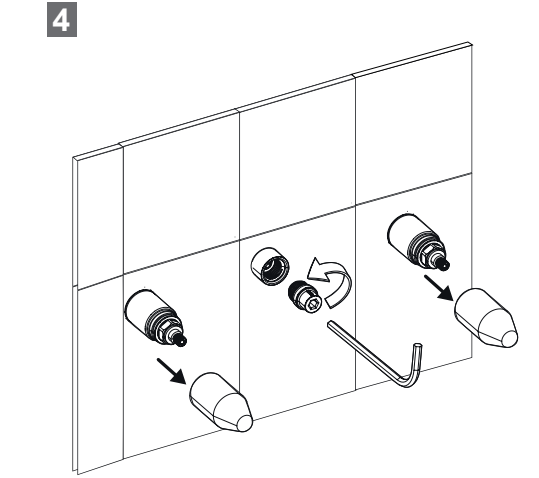
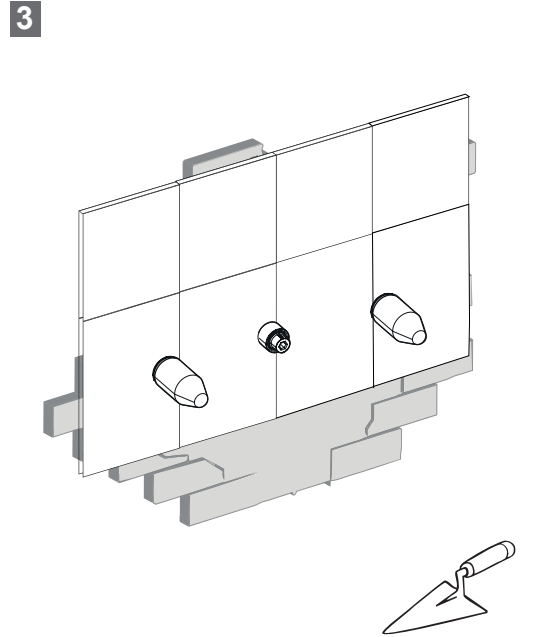
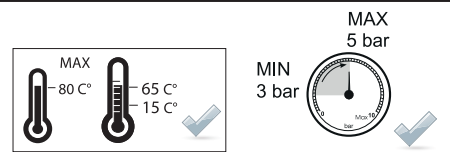
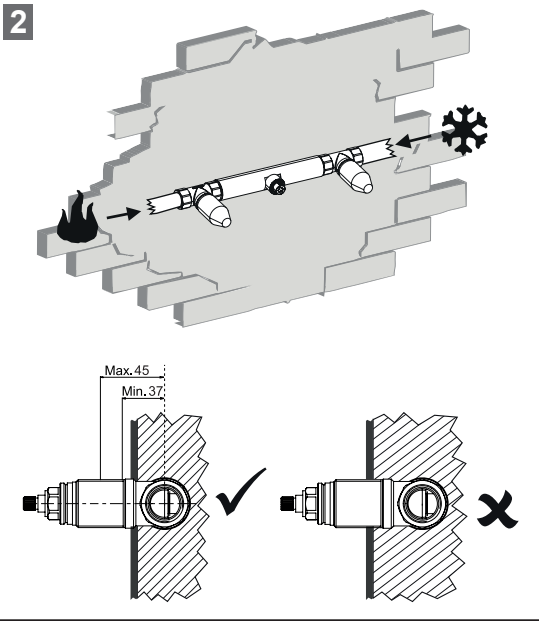
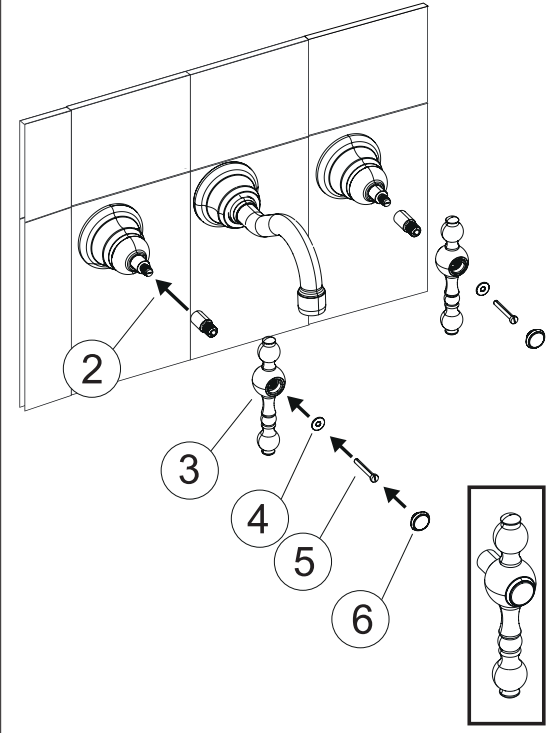
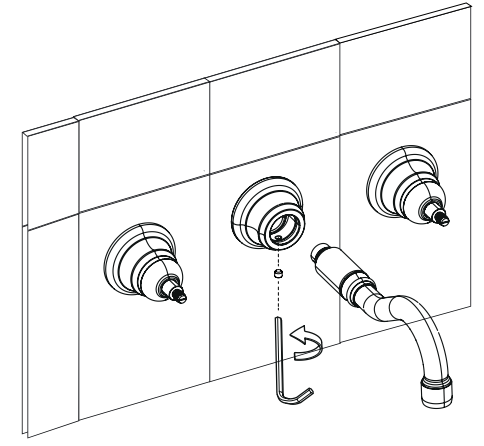
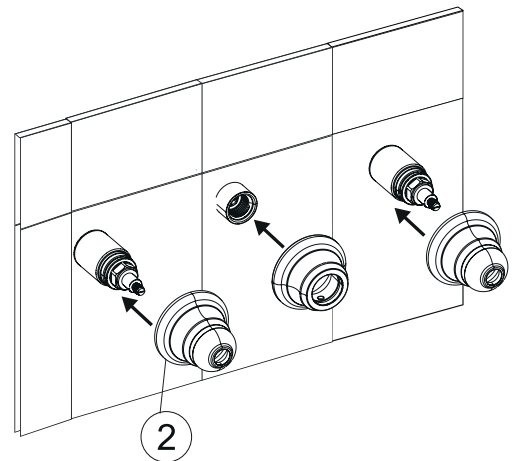
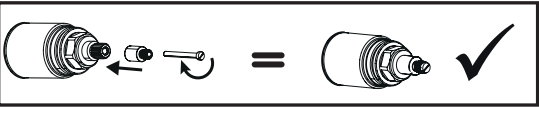
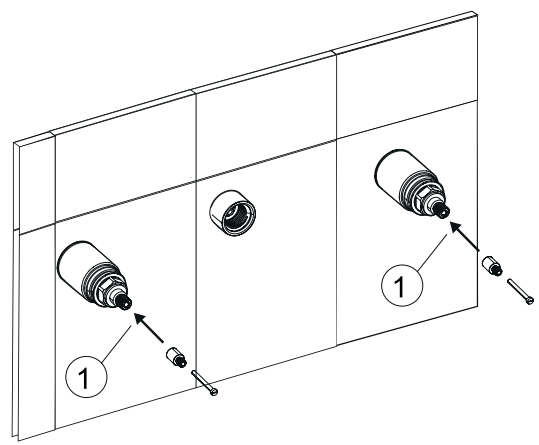


F2230 - F2240

Cod. 9000LM  
Ultima revisione: Maggio 2019

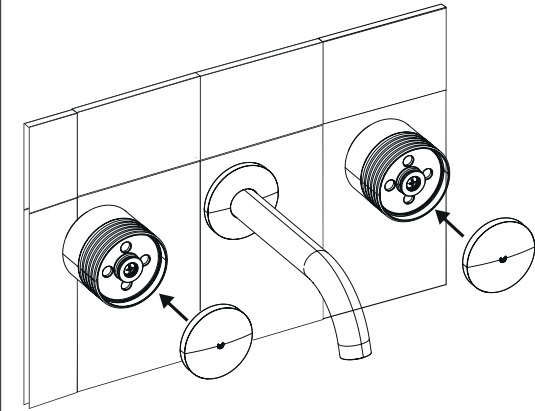
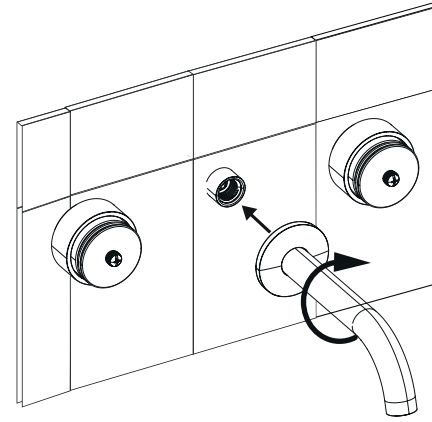
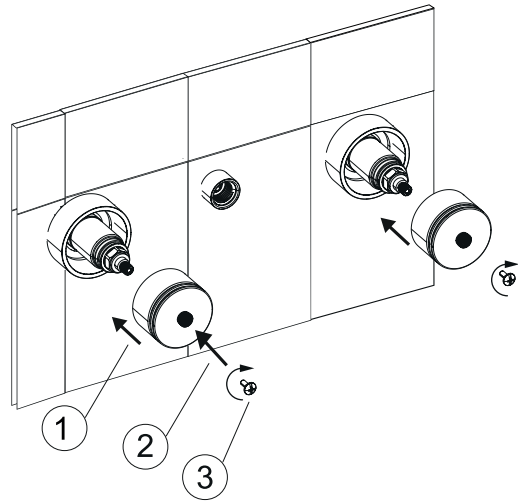
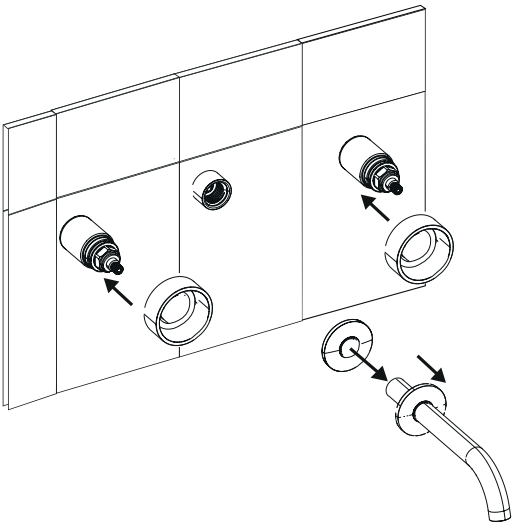


**EPOQUE EXTERNAL PARTS**  
**F5051/5 - F5051L/5**



**TEXTURE COLLECTION  
EXTERNAL PARTS**

**F5601/5 - F5601L/5**



**ELIZABETH / OLIVIA /  
MAXIMA EXTERNAL PARTS**

**F5081/5 - F5081L/5 / F5001/5 - F5001L/5 -  
F5321/5 - F5321L/5**

