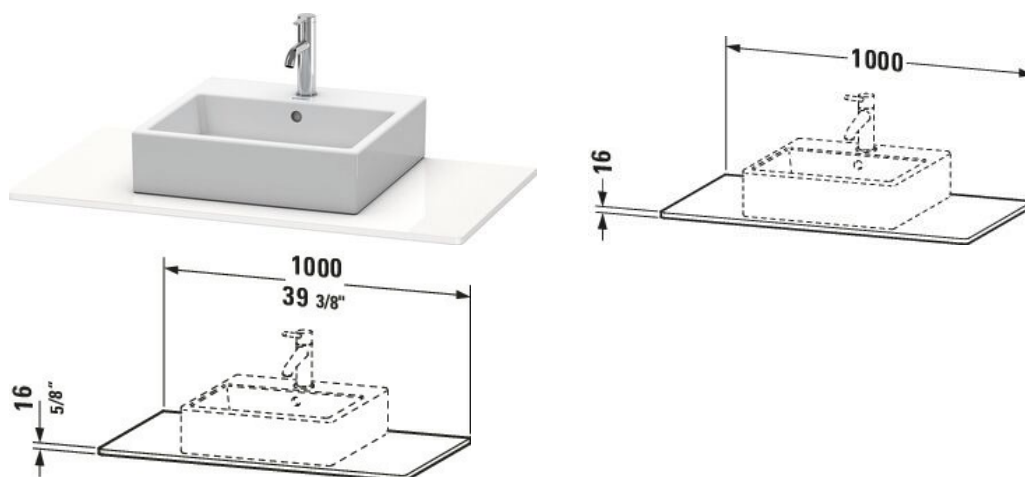


**XSquare Console** # XS060E / XS060E / XS060E / XS060E / XS060E / XS060E / XS060E / XS060E / XS060E ...

|< 1000 mm >|



Console	Dimension	Weight	Order number
Number of cut-outs: 1, Number of washing areas: 1, Tap hole drillings possible, Incl. console supports: No			
<b>Colors</b>			
M07 Concrete Grey Matt Decor M16 Black Oak M18 White Matt Decor M22 White High Gloss Decor M36 White Satin Matt Lacquer M38 Dolomiti Grey High Gloss Lacquer M39 Nordic White Satin Matt Lacquer M40 Black High Gloss Lacquer M43 Basalt Matt Decor M49 Graphite Matt Decor M60 Taupe Satin Matt Lacquer M75 Linen Decor M80 Graphite Super Matt M83 Taupe Super Matt M84 White Super Matt M85 White High Gloss Lacquer M89 Flannel Grey High Gloss Lacquer M90 Flannel Grey Satin Matt Lacquer M91 Taupe Matt Decor M92 Stone Grey Satin Matt Lacquer M98 Night Blue Satin Matt Lacquer			
<b>Variant</b>			
colour Concrete grey Matt		6.000 kg	XS060E
colour Black oak Matt		6.000 kg	XS060E
colour White Matt		6.000 kg	XS060E
colour White High Gloss		6.000 kg	XS060E
colour White Satin Matt		6.000 kg	XS060E
colour Dolomite Gray High Gloss		6.000 kg	XS060E
colour Nordic white Satin Matt		6.000 kg	XS060E
colour Black High Gloss		6.000 kg	XS060E
colour Basalte Matt		6.000 kg	XS060E
colour Graphite Matt		6.000 kg	XS060E
colour taupe Satin Matt		6.000 kg	XS060E
colour Linen Matt		6.000 kg	XS060E

**XSquare Console # XS060E / XS060E / XS060E / XS060E / XS060E / XS060E / XS060E / XS060E ...**

|< 1000 mm >|

colour Graphite Super Matt	6.000 kg	XS060E
colour taupe Super Matt	6.000 kg	XS060E
colour White Super Matt	6.000 kg	XS060E
colour White High Gloss	6.000 kg	XS060E
colour Flannel Grey High Gloss	6.000 kg	XS060E
colour Flannel Grey Satin Matt	6.000 kg	XS060E
colour taupe Matt	6.000 kg	XS060E
colour Stone grey Satin Matt	6.000 kg	XS060E
colour Night blue Satin Matt	6.000 kg	XS060E

**Infobox**

For countertop basins and built-in basins without tap hole bench please specify position tap hole drilling

*All drawings contain the necessary measurements which are subject to standard tolerances. They are stated in mm and are non-binding. Exact measurements, in particular for customised installation scenarios, can only be taken from the finished piece.*