

design **ALEXANDER DURINGER** and **STEFANO ROSINI**

2004

IO4275 IO75

Recessed basin cm 75

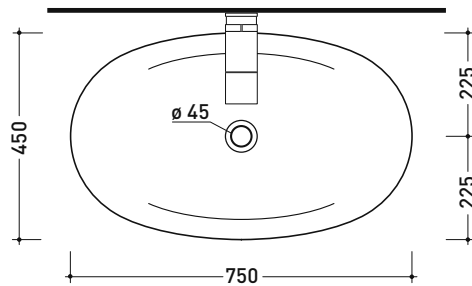
• WITHOUT OVERFLOW • WITHOUT TAP LEDGE

Complements: **IO shelves** (IO75M1 - IO75M2 - IO75M3)
IO Pietraluce shelf (IO75M4)
Line taps basin: ONE - NOKÉ - SI - FOLD - X1
Line accessories: TWO - HOOP - NOKÉ - FOLD

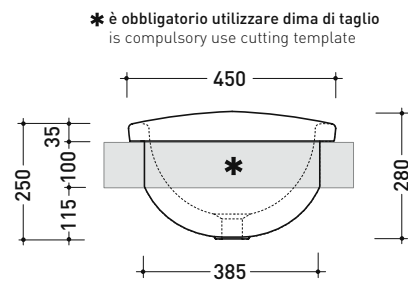
Technical accessories: **Chrome space saving basin siphon** (SIFL03)
Stop & Go drain (PLSG)
CERAMIC Stop & Go drain (PLCE)
Chrome waste with automatic integrated overflow (PLTPCR)
Waste with automatic integrated overflow and ceramic cover (PLTPCR)
Two piece set chrome tap filters (RF026)

Package dim. 75 x 28 x 46 cm | Weight 22 kg | Pz. Pallet n° 10

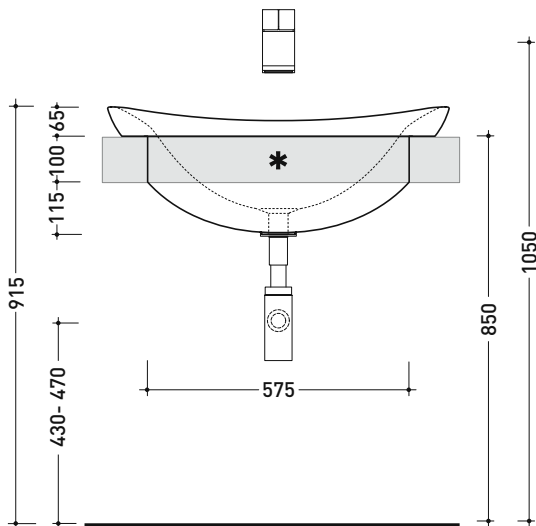
CE UNI EN 14688 - CL00 Dop-No14688



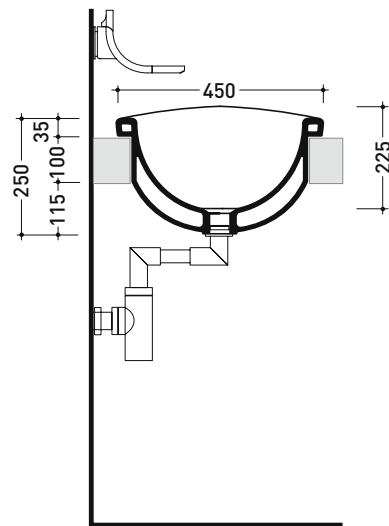
vista zenitale / zenital view



vista laterale / lateral view



vista frontale / frontal view



sezione longitudinale / section

sizes in mm

CERAMIC: glossy finish



matt finish



Please consider a 2% tolerance on indicated measurements