

Data sheet



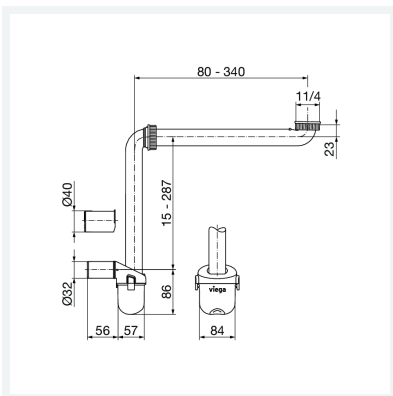
Odour trap

- for wall mounting e.g. in bathroom furnitures
- successor to odour trap model 7851.0, 5634.1
- space-making, height-adjustable, tool-less cleaning

Equipment

waste elbow, removable odour trap, adapter to DN40
quality controlled in accordance with DIN EN 274 Model 5634.15

Article 804 688



Properties

Water seal level	WSL	50 mm
Cylindrical thread	G	1¼
Nominal diameter	DN	32/40
Weight	0.52 lb	
Volume	3044.065 cm ³	
Material	plastic	