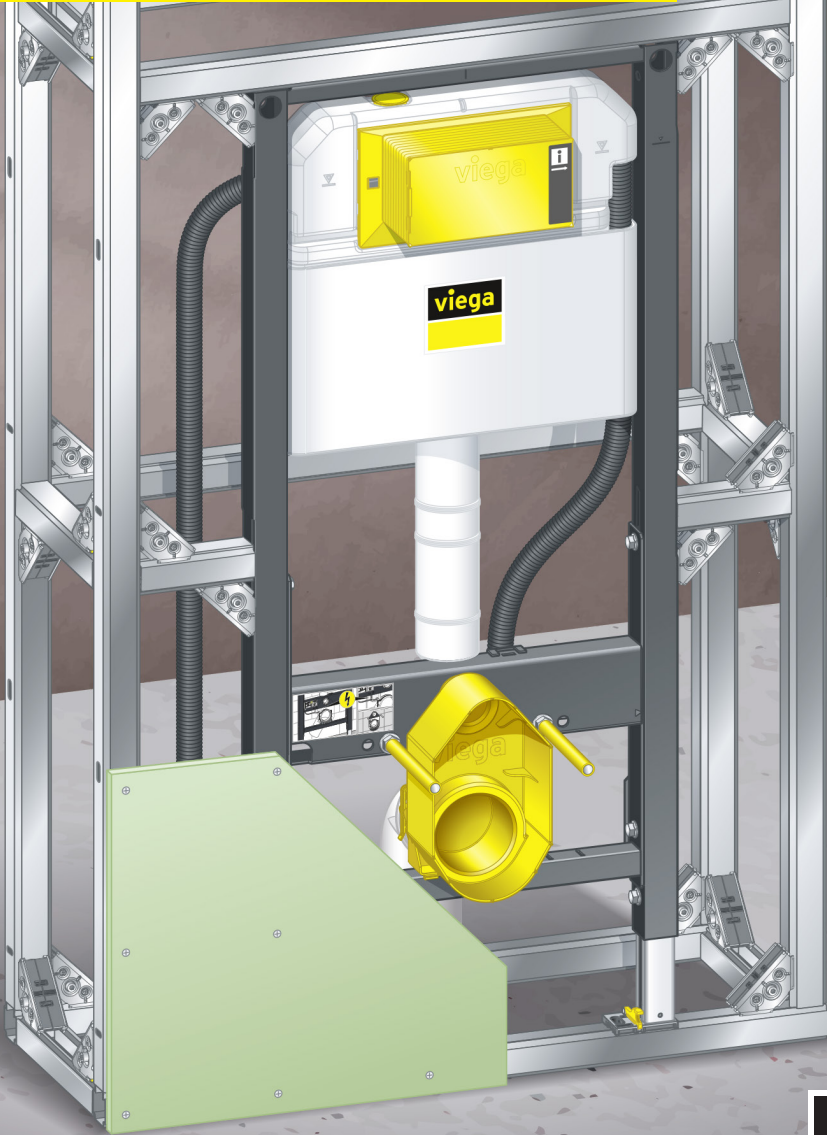


Viega Application Knowledge

Pre-wall technology



viega

Viega Application Knowledge

Pre-wall technology



The term „Viega“ used in the Viega Application Knowledge document refers to a company of the Viega group or to the Viega brand, depending on the context. The individual companies of the Viega group are legally separate, independent units and, as such, act autonomously. Accordingly, the term „Viega“ is not necessarily to be understood as referring to a certain company of the Viega group.

The Viega Application Knowledge document contains references and links to third-party websites. Viega does not assume any responsibility for the content of such sites.

The Viega Application Knowledge document refers to European standards and regulations (e.g. DIN / DVGW / EN). These are not binding for other countries and apply there as recommendations. National laws, standards and regulations take precedence.

All rights reserved, this also extends to reproductions.

CONTENTS

Introduction _____	9
Legal and normative principles _____	10
Application principles _____	11
Installation technologies of pre-wall systems _____	11
Conventional dry construction with Prevista Dry _____	12
System description _____	12
Mounting versions _____	12
Mounting in a steel stud frame _____	12
Mounting in an on-site steel stud frame as a partition wall _____	13
Mounting in a timber stud frame _____	14
Pre-wall line mounting, half-height _____	15
Pre-wall individual elements, half-height _____	16
Pre-wall rail mounting, half-height, in front of dry construction single support wall _____	17
Pre-wall mounting of individual elements, half-height, in front of dry construction single support wall _____	18
Corner mounting _____	19
Support bracket with rail on wall and floor _____	20
Sample installations _____	21
WC element _____	21
Washbasin element _____	31
Urinal element _____	32
Minimum installation depths for the Prevista Dry pre- wall system for various installation situations _____	35
Product range overview _____	40
Dry construction with Prevista Dry Plus rail system _____	42
System description _____	42
Mounting versions _____	43
Half-height pre-wall in front of solid wall and drywall _____	43
Room-height pre-wall in front of solid wall and drywall _____	43
Corner mounting _____	45
Sample installations – WC elements for single mounting in the Prevista Dry Plus system _____	46
Installation depths _____	54
Mounting tools _____	58
Mounting rail arrangement _____	59
Mounting rail for actuation from the top _____	59
Product range overview _____	59

Wet construction with Prevista Pure	60
System description	60
Mounting versions	60
Blocks in front of a solid wall	60
Blocks in Prevista Dry Plus rail (line mounting)	61
Self-supporting installation with standing bracket	61
Concealed cisterns in combination with floor-standing WC	62
Product range overview	62
General system technology	63
Concealed cistern	63
System description	63
Properties/technical notes	64
Drain valve and flushing throttle	66
Cleaning and maintenance	66
Shower WC connection	67
Wastewater connection	70
Water connection	70
Pipe connection with Prevista connectors	70
Product range overview	70
Electrical connection mains adapter	71
Place of installation	71
Positioning	71
Installation	72
Urinals	74
Installation situations	74
Concealed flush actuation	75
Replacing the crossbeam	76
Flush plates for WCs	76
System description	76
Combination options with concealed cisterns	77
Viega Hygiene function	78
Setting options	78
Sample installations	79
Sample installation with LED illuminated frame	82
Product range overview	87
Flush plates for urinals	88
System description	88
Combination overview for urinals	88
Combination overview for tile-level urinal installation frame	88
Infrared flush actuations	89
Setting options	90
Electrical connection	91
Product range overview	92

Processing and mounting examples	93
Dry construction for Prevista Dry/Prevista Dry Plus	93
Basics	93
Quality levels in dry construction	98
Sealing	99
Wall plate for Prevista	102
Fixings	104
Stability of walls and floors	104
Floor mounting	104
Wall mounting for Prevista Dry/Prevista Dry Plus	106
Mounting on existing drywall	108
Barrier-free sanitary facilities	110
Regulations for the WC area	110
Regulations for the washbasin area	113
Regulations for the shower area and bathtubs	116
Bracket loads	117
Load tests – loads caused by wall-hung ceramics	119
Fire protection	119
Sound protection	120
Products	122
Prevista Dry	122
System description	122
Product range overview	122
WC elements	122
Washbasin elements	128
Urinal elements	133
Bidet element	136
Building project elements	137
Accessories	139
Prevista Dry fixing set	141
Prevista Dry Plus	145
System description	145
Product range overview	145
Rail system	145
WC modules	146
Washbasin modules	147
Urinal module	149
Fitting holders	150
Accessories	151
Prevista Dry Plus fixing set	155

Prevista Pure	156
System description	156
Product range overview	156
Prevista Pure WC blocks	156
Prevista Pure washbasin block	158
Prevista Pure urinal water pipe section	159
Accessories	160
WC/Urinal flush plates	161
WC flush plates	161
Visign for Style	161
Visign for More	163
Electronic flush actuation plates with touchless flush actuation	166
Visign for Public	167
Visign for Life	169
Accessory set electronic	171
Additional accessories	172
Urinal flush plates	180
Visign for Style	180
Visign for More	182
Visign for Public	183
Accessories	184
Prevista pipe connections	185
Product range overview	185
Wall plate for Prevista	185
Raxofix adapter with SC-Contur	186
Raxofix adapter elbow 90° with SC-Contur	186
Raxofix adapter with SC-Contur	187
Raxofix extension piece with SC-Contur	188
Further information	189
Configurators	189
Viega flush plate configurator	189
Useful links	190
Index	191

INTRODUCTION

Prevista. A new generation of pre-wall technology.

Co-developed by the greatest experts in the industry. By you.

A three-year development phase, defined by close collaboration with trade professionals, led to a new generation of pre-wall technology. It combines tried and proven technology with innovations that are revolutionising operations and finding trendsetting answers to questions of hygiene, flexibility, digitalisation and design.

The result is a new generation of pre-wall technology that saves time and ensures more planning and implementation reliability, while meeting the current demands of the industry as well.

With Prevista, you can choose between three systems, each one a successor to the Viega pre-wall systems that have been successfully established on the market for decades:

Prevista system	Areas of application	Predecessor model
Prevista Dry	Wall mounting Single mounting Line mounting Stud frame mounting (metal and wood)	Viegaswift Viega Eco Plus Viega Eco
Prevista Dry Plus	Rail mounting	Steptec
Prevista Pure	Wet construction	Viega Mono

All Prevista systems have cisterns with identical flushing technology. This means you can assemble and mount a pre-wall system in no time at all, without having to deliberate over which cistern matches which application and which flush plate.

LEGAL AND NORMATIVE PRINCIPLES

Scope / Notice	Regulations applicable in Germany
Dry construction	DIN 18183-1
Substructures in wood	DIN 4103-4
Masonry walls	DIN EN 1996-1-1
Concreted walls	DIN 1045
Barrier-free sanitary facilities	DIN 18040
Protected zones	VDE 0100-701
Sound protection in buildings	DIN 4109
Sound protection levels	VDI 4100:2012-10
Bracket loads	DIN 4103-1
Fire protection	DIN 4102

APPLICATION PRINCIPLES

Installation technologies of pre-wall systems

Creating pre-wall systems in sanitary facilities with the supply and wastewater pipes this entails, is now a generally accepted standard. The slot mounting method previously used to install supply lines no longer reflects the latest technological standards and, in the majority of cases, infringes the applicable building regulations. In addition, the modern pre-wall systems are tested for their sound protection capability and offer a fire protection function as well.

Dry construction

Basically, there are three different installation technologies for dry construction:

- Pre-wall installations (partial room-height or room-height)
- Installation partition walls
- Self-supporting installations

In dry construction, the pre-wall elements perform a support function. They absorb all acting forces and transmit them to the surrounding masonry or stud frame. The pre-wall elements can be installed either in front of solid walls or in front of or inside drywalls consisting of metal supports (in accordance with DIN 18183) or comparable wooden supports. These and similar installation elements can be found in the Prevista Dry product range, see from „Conventional dry construction with Prevista Dry“ from page 12 onwards.

There is also the option to create the drywall or partition wall from installation rails belonging to the pre-wall system (see „Dry construction with Prevista Dry Plus rail system“ on page 42). System components matched to one another offer the installer various ways of fulfilling requirements.

Wet construction

In wet construction, sanitary blocks designed as a pre-wall for partial room-height or room-height are used for installation. The blocks do not perform a support function themselves and rely instead on being "bricked in". Unlike dry construction, there are disadvantages to wet construction in terms of acoustics. This makes dry construction systems the obvious choice when it comes to meeting sound protection requirements. For more information, see „Wet construction with Prevista Pure“ on page 60.

Conventional dry construction with Prevista Dry

System description

Prevista Dry is the flexible pre-wall system for dry construction installations – in front of the wall, in the stud frame with steel or timber or in combination with the Viega Prevista Dry Plus rail system. The system is set apart by the fast mounting on the wall, an advantage for all WC, washbasin and urinal elements alike. In this chapter, practical examples are used to describe and explain the various installation technologies required to meet the specific requirements on-site. You will also find helpful tips and information on accessories and more.

See online at [Products > Catalogue > Pre-wall/flushing technology > Prevista Dry](#).

Mounting versions

The on-site stud frame must be designed in accordance with DIN 18183-1.



Tenders according to the BGB (German Civil Code) may involve requirements different to the ones mentioned here.

For tenders in accordance with VOB (German construction contract procedures), the use of UA profiles is specified for WC, bidet and washbasin installations, see DIN 18340, section 3.7.4 (General technical specifications in construction contracts (ATV) – Dry lining and partitioning work).

Mounting in a steel stud frame

The Prevista Dry elements are placed in the on-site floor profile of the stud frame with both floor supports and fixed using the enclosed screws & dowels. The floor supports are pre-assembled in the factory for a 50 mm floor profile. They can be converted on-site to suit a 75 mm floor profile by loosening the side screws (base plate rotated through 90°). The front edges of the Prevista elements are flush with the on-site CW or UA profiles of the stud frame.

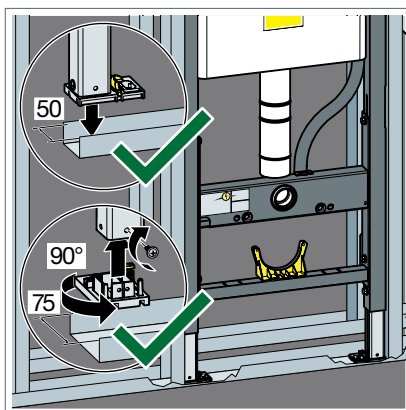


Fig. 1: Base plate rotated through 90° to suit 75 mm stud frame

Mounting in an on-site steel stud frame as a partition wall

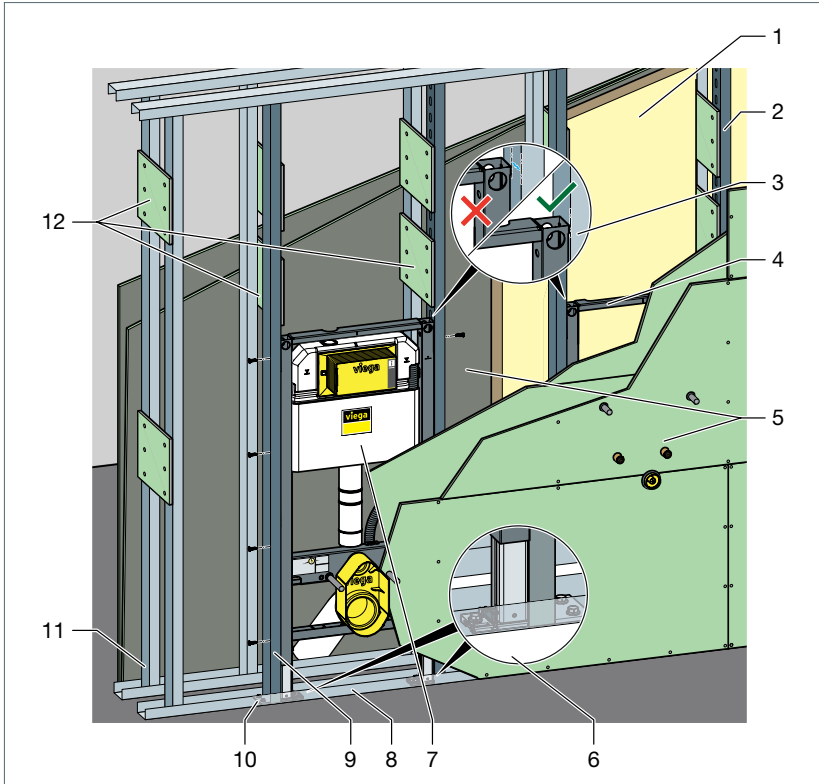


Fig. 2: Mounting Prevista elements in a steel stud frame

- 1 Insulation in front of the wall, rear of wall shown
- 2 UA profile (50/75 mm) – WB and urinal, etc.
- 3 Element mounted flush with the front edge of the stud frame
- 4 Prevista Dry washbasin element
- 5 Two-ply cladding with commercially available gypsum plaster boards
2 x 12.5 mm or 1 x 18 mm plasterboard cladding panel, model
8570.42/8570.43
- 6 Fixing the Prevista Dry element on the floor
- 7 Prevista Dry WC element
- 8 UW profile (50/75 mm)
- 9 UA profile (50/75 mm) – WC and bidet
- 10 UA mounting angle with screws
- 11 CW profile (50/75 mm)
- 12 Stiffening of the steel stud frame

To reduce the sound transmission, the pre-wall has to be decoupled from the structure in accordance with the dry construction standard.

Mounting in a timber stud frame

The timber stud frame must comply with the standard DIN 4103-4 "Internal non-loadbearing partitions (partitions with timber framing)".

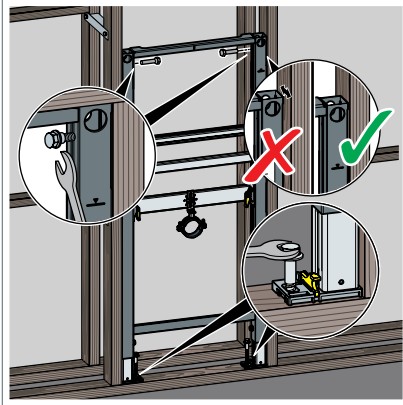


Fig. 3: Mounting a Prevista element in the timber stud frame

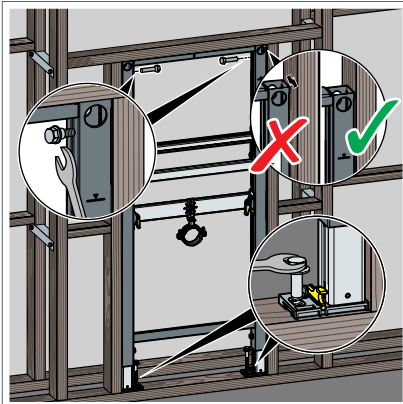


Fig. 4: Mounting Prevista elements in the timber stud frame with crossbars

The bases are placed on the wood and, using the screw supplied, fixed in the wooden floor and below the top crossbeam in the profile frame (Ø 11 mm) on both sides through the pre-fabricated hole.

Pre-wall line mounting, half-height

With line mounting, the distance between the elements must not exceed 50 cm. If the distances are longer, floor rails have to be mounted between the elements.

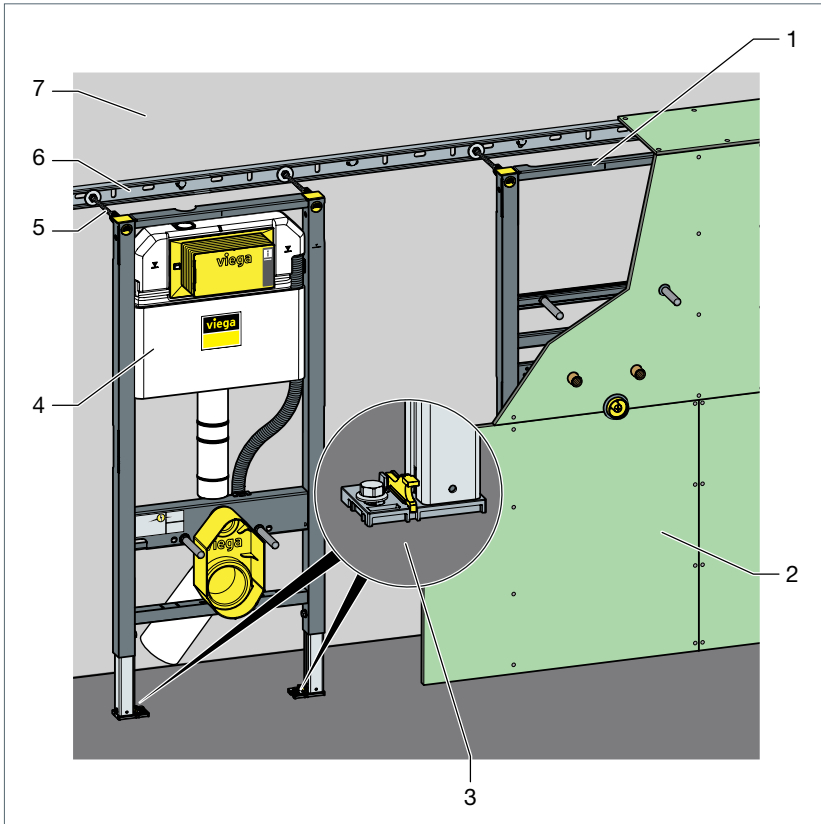


Fig. 5: Pre-wall rail mounting, half-height, in line

- 1 Prevista Dry washbasin element
- 2 Plasterboard cladding panel 1x 18 mm (model 8570.42/43) or 2 x 12.5 mm
- 3 Base of the element
- 4 Prevista Dry WC element
- 5 Fixing set model 8570.49
- 6 Mounting rail model 8001 or alternatively Prevista Dry Plus mounting rail model 8401
- 7 Masonry walls in acc. with DIN EN 1996-1-1 and/or concreted walls in acc. with DIN 1045

Pre-wall individual elements, half-height

The cladding must be designed in accordance with the regulations for dry constructions and/or the specifications of the dry construction manufacturer.

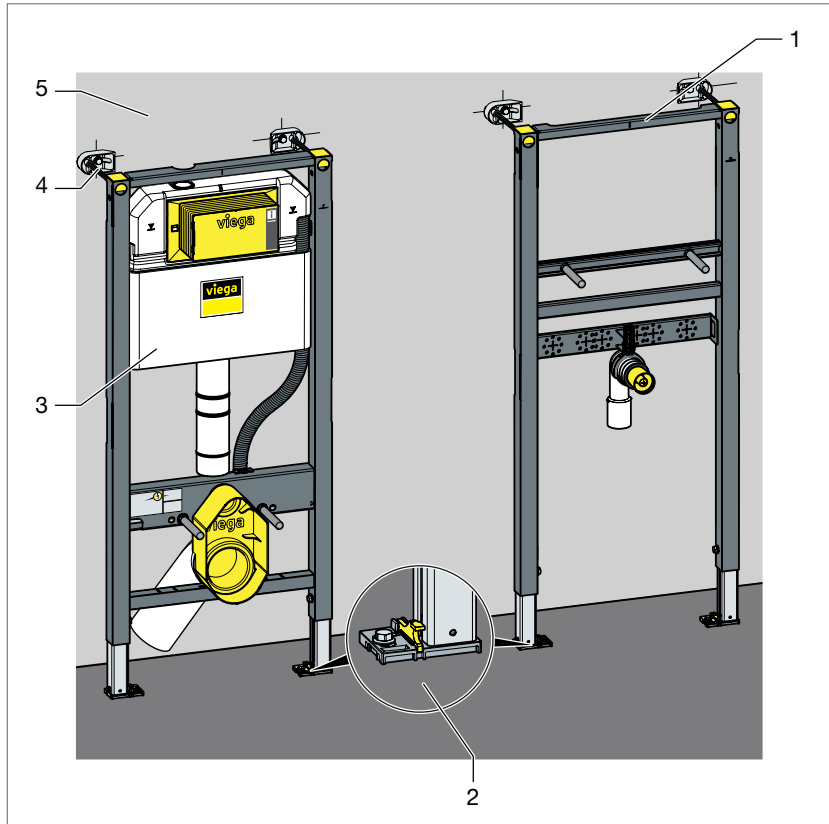


Fig. 6: Pre-wall mounting, individual elements, half-height

- 1 Prevista Dry washbasin element
- 2 Base of the element
- 3 Prevista Dry WC element
- 4 Prevista Dry fixing set model 8570.36
- 5 Masonry walls in acc. with DIN EN 1996-1-1 and/or concreted walls in acc. with DIN 1045

Pre-wall rail mounting, half-height, in front of dry construction single support wall

With line mounting, the distance between the elements must not exceed 50 cm. If the distances are longer, floor rails have to be mounted between the elements and brackets. The profiles shown apply for a room height of up to 2.8 m. Profiles with 75 mm of construction depth are to be used for room heights exceeding 2.8 m. UA profiles are not required when using profiles with a construction depth of 75 mm.

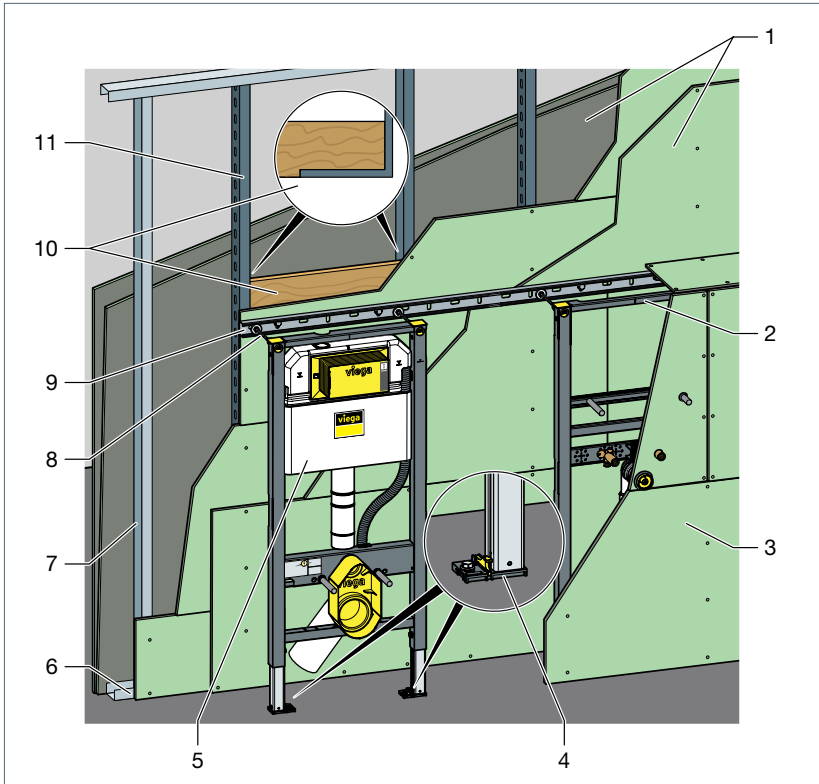


Fig. 7: Pre-wall rail mounting, half-height, in front of drywall

- 1 Two-ply cladding with gypsum plaster boards 2 x 12.5 mm
- 2 Prevista Dry washbasin element
- 3 Single-ply Prevista cladding 18 mm
- 4 Element fixing
- 5 Prevista Dry WC element
- 6 UW profile (50/75 mm)
- 7 CW profile (50/75 mm)
- 8 Fixing set model 8570.49
- 9 Mounting rail model 8001 with insulating and dividing strips
- 10 Stiffening of rear wall for fixing the element with cross-glued plywood board (WC and bidet only), model 8570.33. If the board is mounted on-site, it has to be cut in to make the cladding flush with the wall.
- 11 UA profile (50/75 mm)

Pre-wall mounting of individual elements, half-height, in front of dry construction single support wall

The cladding must be designed in accordance with the regulations for dry constructions and/or the specifications of the dry construction manufacturer.

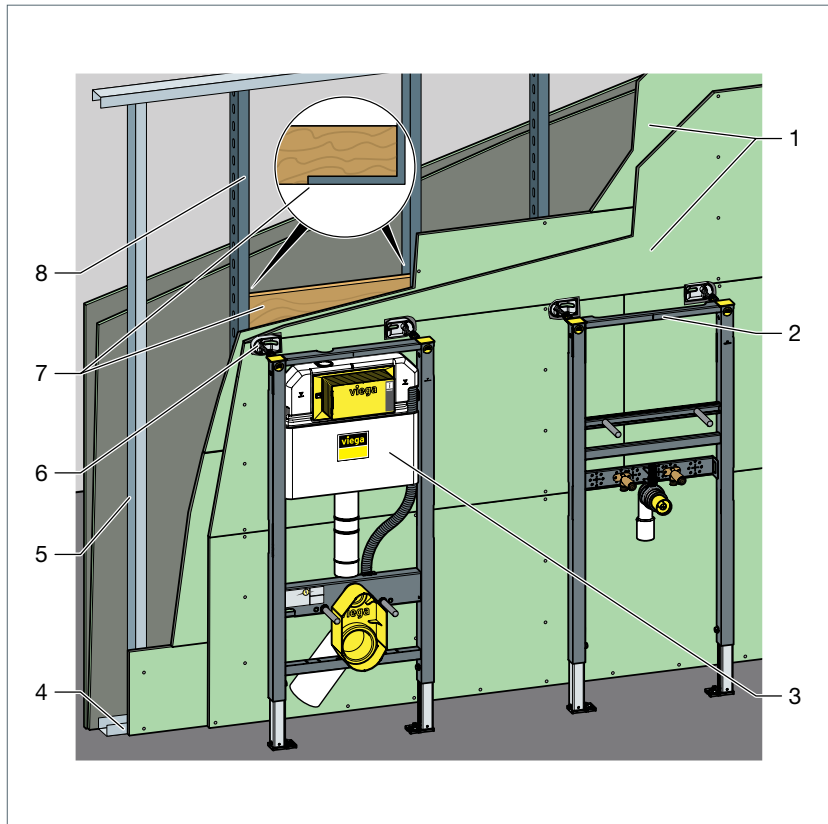


Fig. 8: Pre-wall mounting of individual elements, half-height, in front of drywall

- 1 Two-ply cladding with gypsum plaster boards 2 x 12.5 mm or 1 x 18 mm plasterboard cladding panel (model 8570.42/43)
- 2 Prevista Dry washbasin element
- 3 Prevista Dry WC element
- 4 UW profile (50/75 mm)
- 5 CW profile (50/75 mm)
- 6 Element fixing with fixing set model 8570.36
- 7 Stiffening of rear wall for fixing the element with cross-glued plywood board (WC and bidet only), model 8570.33. If the board is mounted on-site, it has to be cut in to make the cladding flush with the wall.
- 8 UA profile (50/75 mm)

Corner mounting

The Prevista elements can be built into a corner by various methods: either single mounting on the wall or in the Prevista Dry Plus system network (see page 45). The images below show the installation with WC element, although the other Prevista elements with fixing set model 8570.36 can also be built into a corner in combination with the 45° mounting profile, model 8077. Use the 90° mounting profile (model 8076) as the upper cladding support.

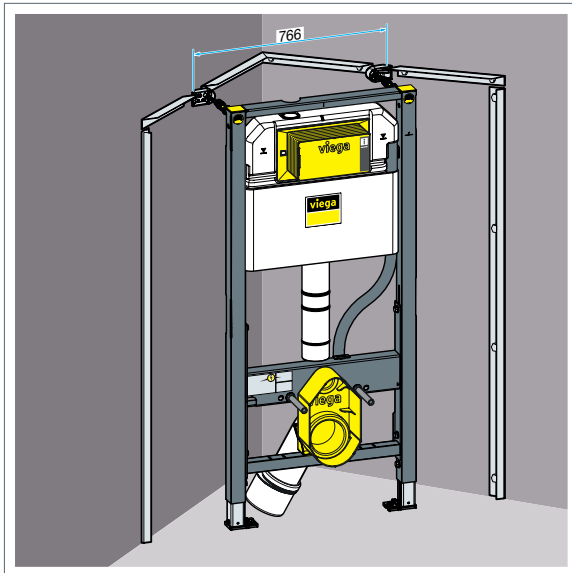


Fig. 9: Corner mounting installation dimensions

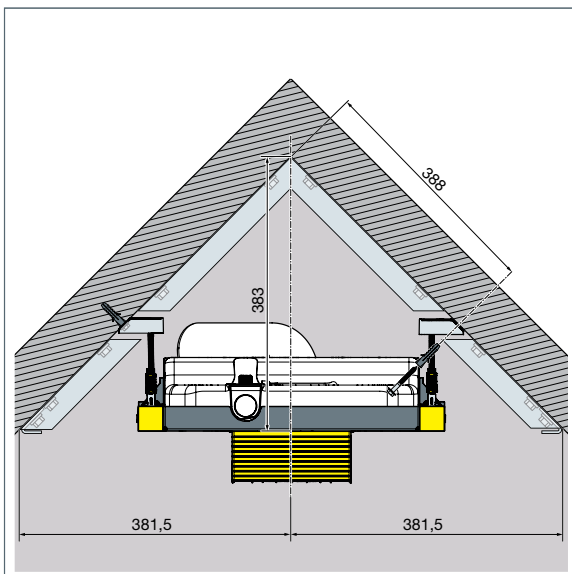


Fig. 10: Corner mounting dimensions

Support bracket with rail on wall and floor

Support brackets can be used to create a pre-wall or bridge distances between pre-wall elements of longer than 500 mm. This makes it possible to install a continuous, half-height pre-wall in which supply and wastewater pipes can be mounted. This creates a continuous surface in the bathroom. Support brackets are mounted in the same way as pre-wall elements: they are positioned, aligned and screwed to floor and rear wall.

The support bracket covers a construction height of 820–1300 mm.



Fig. 11: Prevista Dry support bracket for bridging clearances of greater than 500 mm, model 8570.48

Sample installation with Prevista elements and support brackets:

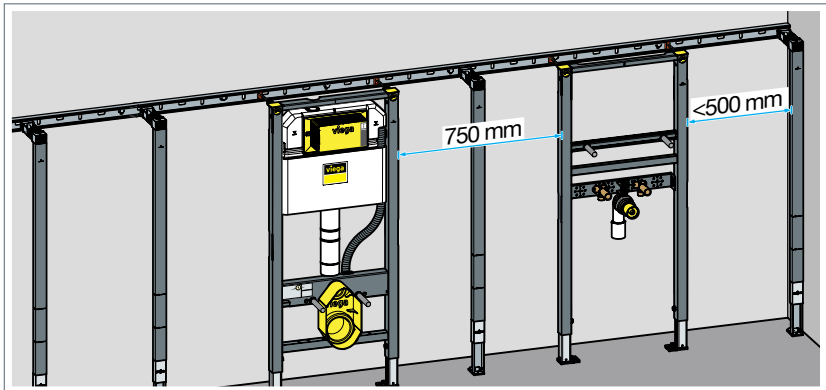


Fig. 12: Pre-wall installation with washbasin element and support brackets

Sample installations

WC element

Sample installation 1

Barrier-free WC installation (support hinged handles on both sides) with electronic flush plate (incl. Viega Hygiene function).

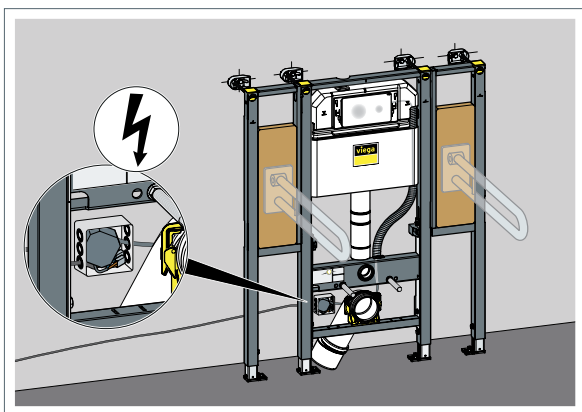


Fig. 13: WC sample installation 1

Quantity	Name	Model	Art. no.
1	Prevista Dry WC element with shower WC connection, ceramic height adjustable, 1120 mm	8521	771 997
1	Prevista Dry fixing element for support hinged handle, 1120 mm	8570.32	776 473
1	Prevista Dry fixing element for support hinged handle, 1120 mm	8570.32	776 480
2	Prevista Dry fixing set universal	8570.36	776 619
1	WC flush plate for Prevista Visign for Style 25, sensitive	8615.1	774 356
1	Accessory set electronic	8655.11	783 952
1	Junction box	8570.62	786 274
2	Support hinged handles (on-site)		

Tab. 1: Parts list for WC sample installation 1

Sample installation 2

Barrier-free WC installation (support hinged handles on both sides) with electronic flush plate (incl. Viega Hygiene function) and additional WC remote flush actuation.

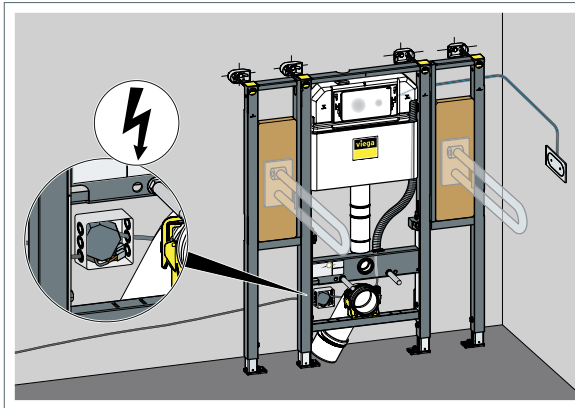


Fig. 14: WC sample installation 2

Quantity	Name	Model	Art. no.
1	Prevista Dry WC element with shower WC connection, ceramic height adjustable, 1120 mm	8521	771 997
1	Prevista Dry fixing element for support hinged handle, 1120 mm	8570.32	776 473
1	Prevista Dry fixing element for support hinged handle, 1120 mm	8570.32	776 480
2	Prevista Dry fixing set universal	8570.36	776 619
1	WC flush plate for Prevista Visign for Style 25, sensitive	8615.1	774 356
1	WC remote flush actuation for Prevista Visign for Style 23, electronic	8640.1	773 083
1	Accessory set electronic	8655.11	783 952
1	Junction box	8570.62	786 274
1	Installation set (remote actuation)	8640.14	789 336
1	Extension cable adapter	8580.49	787 691
2	Support hinged handles (on-site)		

Tab. 2: Parts list for WC sample installation 2

Sample installation 3

Barrier-free WC installation (support hinged handles on both sides) with electronic flush plate (incl. Viega Hygiene function), additional WC remote flush actuation and radio receiver.

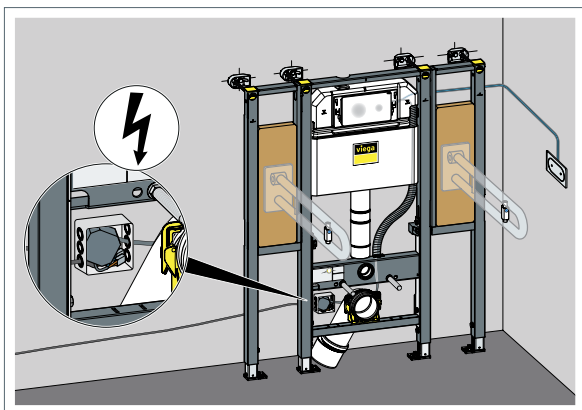


Fig. 15: WC sample installation 3

Quantity	Name	Model	Art. no.
1	Prevista Dry WC element with shower WC connection, ceramic height adjustable, 1120 mm	8521	771 997
1	Prevista Dry fixing element for support hinged handle, 1120 mm	8570.32	776 473
1	Prevista Dry fixing element for support hinged handle, 1120 mm	8570.32	776 480
2	Prevista Dry fixing set universal	8570.36	776 619
1	WC flush plate for Prevista Visign for Style 25, sensitive	8615.1	774 356
1	WC remote flush actuation for Prevista Visign for Style 23, electronic	8640.1	773 083
1	Accessory set electronic	8655.11	783 952
1	Junction box	8570.62	786 274
1	Installation set (remote actuation)	8640.14	789 336
1	Extension cable adapter	8580.49	787 691
1	Radio receiver	8570.58	786 038
2	Support hinged handles (on-site)		
1	Flush actuation via radio signal (on-site)		

Tab. 3: Parts list for WC sample installation 3

Sample installation 4

Barrier-free WC installation (support hinged handles on both sides) with electronic flush plate (incl. Viega Hygiene function), additional flush actuation via on-site button.

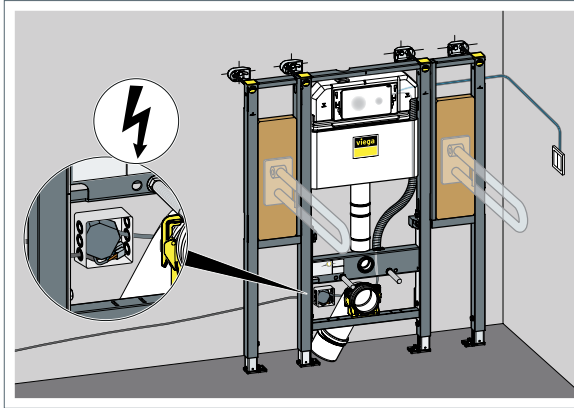


Fig. 16: WC sample installation 4

Quantity	Name	Model	Art. no.
1	Prevista Dry WC element with shower WC connection, ceramic height adjustable, 1120 mm	8521	771 997
1	Prevista Dry fixing element for support hinged handle, 1120 mm	8570.32	776 473
1	Prevista Dry fixing element for support hinged handle, 1120 mm	8570.32	776 480
2	Prevista Dry fixing set universal	8570.36	776 619
1	WC flush plate for Prevista Visign for Style 25, sensitive	8615.1	774 356
1	Accessory set electronic	8655.11	783 952
1	Junction box	8570.62	786 274
1	Connection cable	8570.62	786 007
1	Extension cable adapter	8580.49	787 691
2	Support hinged handles (on-site)		
1	Button (on-site)		

Tab. 4: Parts list for WC sample installation 4

Sample installation 5

Barrier-free WC installation (support hinged handles on both sides) with electronic flush plate (incl. Viega Hygiene function) and additional radio receiver.

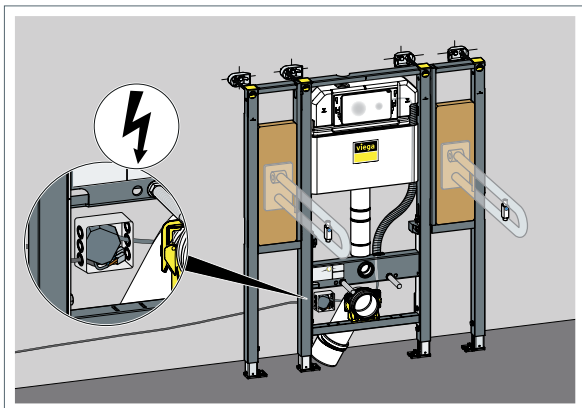


Fig. 17: WC sample installation 5

Quantity	Name	Model	Art. no.
1	Prevista Dry WC element with shower WC connection, ceramic height adjustable, 1120 mm	8521	771 997
1	Prevista Dry fixing element for support hinged handle, 1120 mm	8570.32	776 473
1	Prevista Dry fixing element for support hinged handle, 1120 mm	8570.32	776 480
2	Prevista Dry fixing set universal	8570.36	776 619
1	WC flush plate for Prevista Visign for Style 25, sensitive	8615.1	774 356
1	Accessory set electronic	8655.11	783 952
1	Junction box	8570.62	786 274
1	Radio receiver	8570.58	786 038
1	Extension cable adapter	8580.49	787 691
2	Support hinged handles (on-site)		
1	Flush actuation via radio signal (on-site)		

Tab. 5: Parts list for WC sample installation 5

Sample installation 6

Barrier-free WC installation (support hinged handles on both sides) with electronic flush plate (incl. Viega Hygiene function), additional radio receiver and redundant power supply.

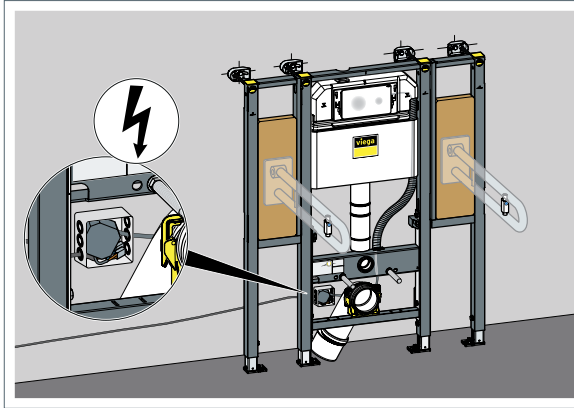


Fig. 18: WC sample installation 6

Quantity	Name	Model	Art. no.
1	Prevista Dry WC element with shower WC connection, ceramic height adjustable, 1120 mm	8521	771 997
1	Prevista Dry fixing element for support hinged handle, 1120 mm	8570.32	776 473
1	Prevista Dry fixing element for support hinged handle, 1120 mm	8570.32	776 480
2	Prevista Dry fixing set universal	8570.36	776 619
1	WC flush plate for Prevista Visign for Style 25, sensitive	8615.1	774 356
1	Accessory set electronic	8655.11	783 952
1	Junction box	8570.62	786 274
1	Radio receiver	8570.58	786 038
1	Redundant power supply (incl. 6 V battery)	8570.57	786 021
1	Extension cable adapter	8580.49	787 691
2	Support hinged handles (on-site)		
1	Flush actuation via radio signal (on-site)		

Tab. 6: Parts list for WC sample installation 6

Sample installation 7

Barrier-free WC installation (support hinged handles on both sides) with manual electronic flush plate (incl. Viega Hygiene function).

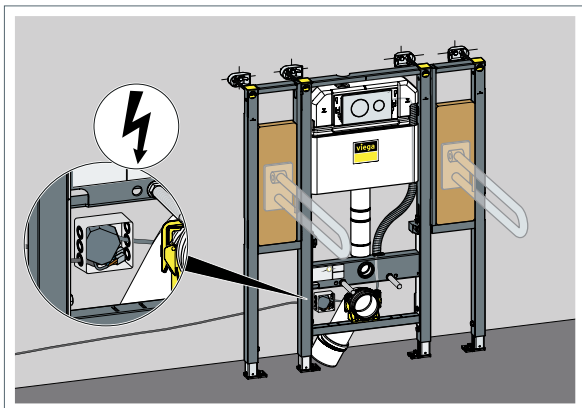


Fig. 19: WC sample installation 7

Quantity	Name	Model	Art. no.
1	Prevista Dry WC element with shower WC connection, ceramic height adjustable, 1120 mm	8521	771 997
1	Prevista Dry fixing element for support hinged handle, 1120 mm	8570.32	776 473
1	Prevista Dry fixing element for support hinged handle, 1120 mm	8570.32	776 480
2	Prevista Dry fixing set universal	8570.36	776 619
1	WC flush plate for Prevista Visign for Style 20	8610.1	773 793
1	Accessory set electronic	8655.11	783 952
1	Junction box	8570.62	786 274
1	Connection cable	8570.55	786 007
2	Support hinged handles (on-site)		

Tab. 7: Parts list for WC sample installation 7

Sample installation 8

Barrier-free WC installation (support hinged handles on both sides) with manual electronic flush plate (incl. Viega Hygiene function) and radio receiver.

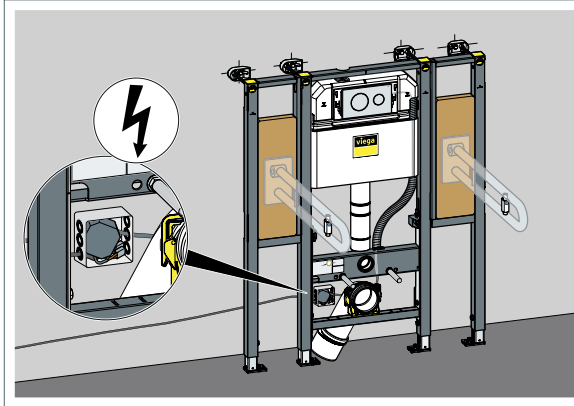


Fig. 20: WC sample installation 8

Quantity	Name	Model	Art. no.
1	Prevista Dry WC element with shower WC connection, ceramic height adjustable, 1120 mm	8521	771 997
1	Prevista Dry fixing element for support hinged handle, 1120 mm	8570.32	776 473
1	Prevista Dry fixing element for support hinged handle, 1120 mm	8570.32	776 480
2	Prevista Dry fixing set universal	8570.36	776 619
1	WC flush plate for Prevista Visign for Style 20	8610.1	773 793
1	Accessory set electronic	8655.11	783 952
1	Junction box	8570.62	786 274
1	Radio receiver	8570.58	786 038
2	Support hinged handles (on-site)		
1	Flush actuation via radio signal (on-site)		

Tab. 8: Parts list for WC sample installation 8

Sample installation 9

WC installation with manual flush plate (incl. Viega Hygiene function), building project version.

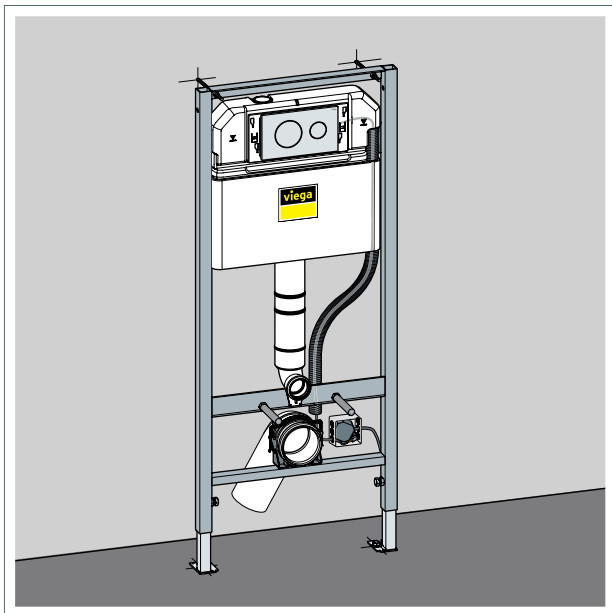


Fig. 21: WC sample installation 9

Quantity	Name	Model	Art. no.
1	Prevista Dry WC element building project version, 1120 mm	8524	771 973
1	Fixing set	8180.73	678 630
1	WC flush plate for Prevista Visign for Style 20	8610.1	773 793
1	Accessory set electronic	8655.11	783 952
1	Junction box	8570.62	786 274
1	Accessory set	8580.55	789 312

Tab. 9: Parts list for WC sample installation 9

Sample installation 10

WC installation with manual flush plate for floor-standing or child WC ceramic.

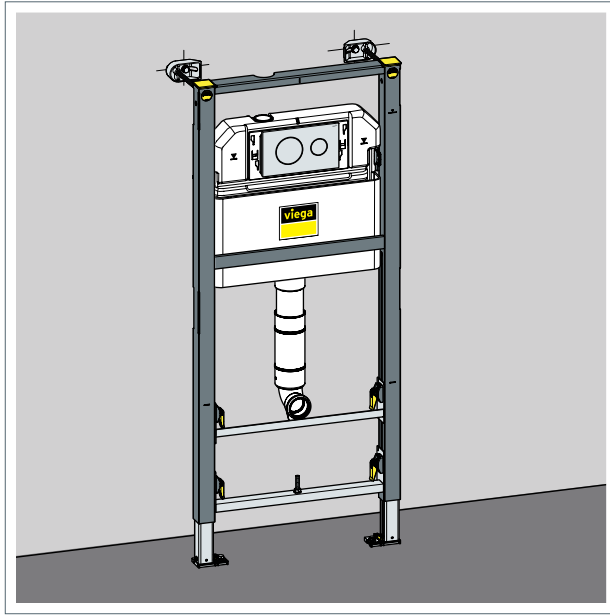


Fig. 22: WC sample installation 10

Quantity	Name	Model	Art. no.
1	Prevista Dry WC element for floor-standing WC or children's WC	8522.33	772 048
1	Prevista Dry fixing set universal	8570.36	776 619
1	WC flush plate for Prevista Visign for Style 20	8610.1	773 793
1	Floor-standing child WC ceramic, drain elbow and clamp (on-site)		

Tab. 10: Parts list for WC sample installation 10

Washbasin element

Barrier-free WB installation (support hinged handles on both sides).

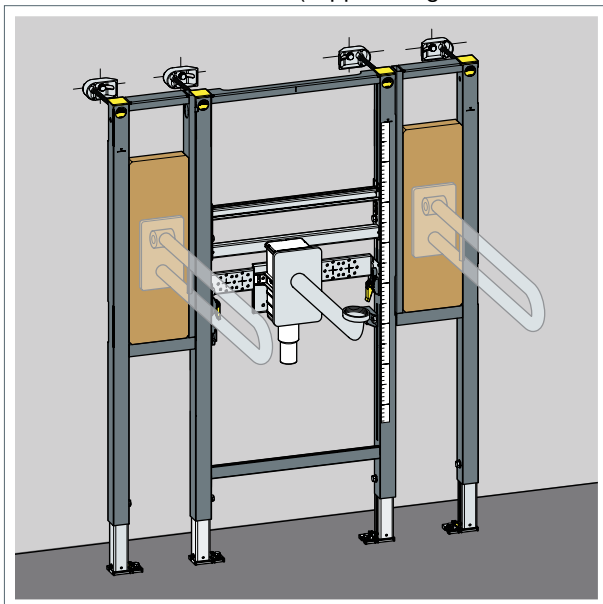


Fig. 23: Sample installation for barrier-free WB installation

Quantity	Name	Model	Art. no.
1	Prevista Dry washbasin element	8536	776 046
1	Prevista Dry fixing element for support hinged handle, 1120 mm	8570.32	776 473
1	Prevista Dry fixing element for support hinged handle, 1120 mm	8570.32	776 480
2	Prevista Dry fixing set universal	8570.36	776 619
1	Concealed odour trap	Chrome-plated	5633.1 553 753
		White	5633.2 553 760
2	Support hinged handles (on-site)		

Tab. 11: Parts list for barrier-free WC installation (support hinged handles on both sides)

Urinal element

Sample installation 1

Urinal installation with manual flush plate.

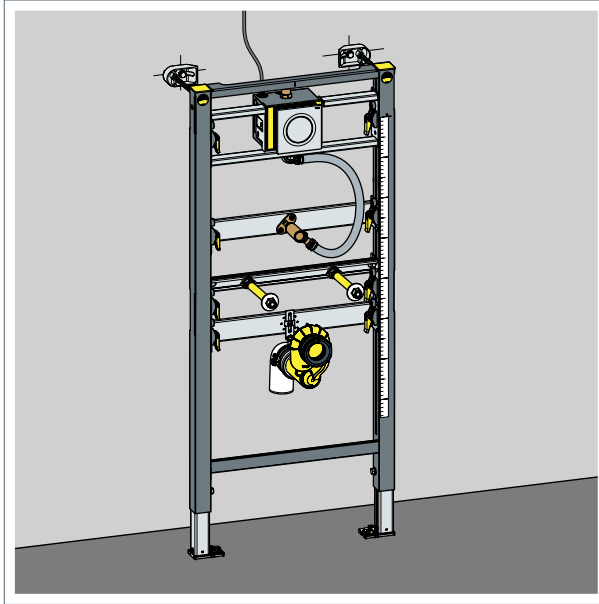


Fig. 24: Urinal sample installation 1

Quantity	Name	Model	Art. no.
1	Prevista Dry Urinal Element	8560.32	776 411
1	Prevista Dry fixing set universal	8570.36	776 619
1	Urinal flush plate for Prevista Visign for Style 20	8610.2	774 493

Tab. 12: Parts list for urinal sample installation 1

Sample installation 2

Urinal installation with IR flush plate (incl. Viega Hygiene function).

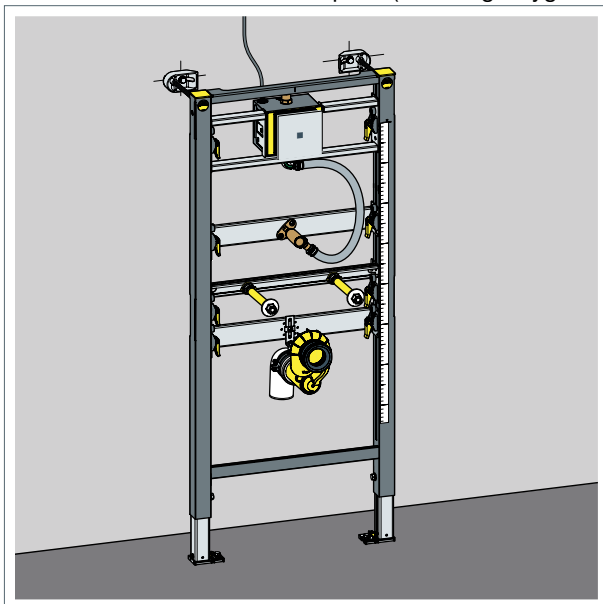


Fig. 25: Urinal sample installation 2

Quantity	Name	Model	Art. no.
1	Prevista Dry Urinal Element	8560.32	776 411
1	Prevista Dry fixing set universal	8570.36	776 619
1	Urinal flush plate for Prevista Visign for More 200	8620.2	774 639

Tab. 13: Parts list for urinal sample installation 2

Sample installation 3

Urinal installation with concealed flush actuation (automatic flushing system behind the urinal ceramic).

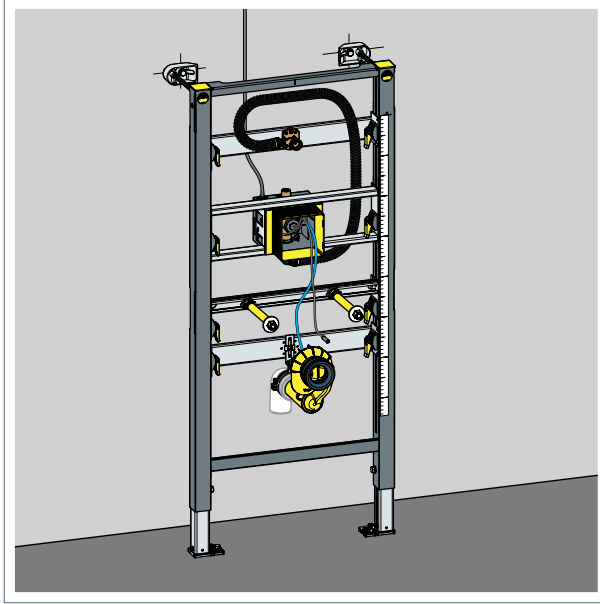


Fig. 26: Urinal sample installation 3

Quantity	Name	Model	Art. no.
1	Prevista Dry Urinal Element	8560.31	776 428
1	Prevista Dry fixing set universal	8570.36	776 619
1	Equipment set flush actuation concealed	8560.33	785 956

Tab. 14: Parts list for urinal sample installation 3

Minimum installation depths for the Prevista Dry pre-wall system for various installation situations

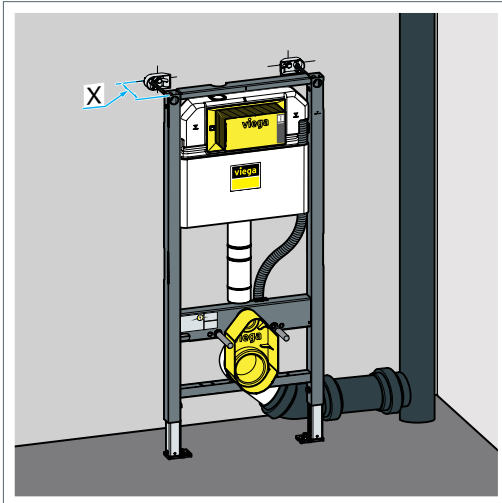


Fig. 27: Installation depths for single mounting, see Tab. 15

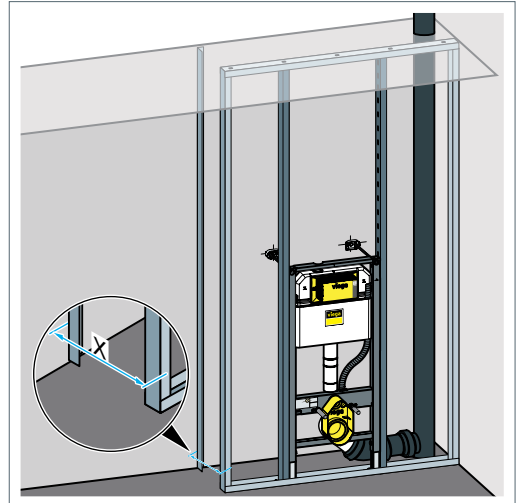


Fig. 28: Installation depths for room-height pre-wall in front of solid wall, see Tab. 16

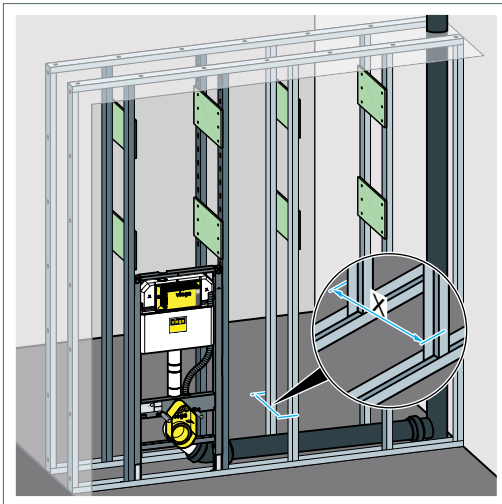


Fig. 29: Installation depths for room-height partition wall, covered on one side, see Tab. 17

Installation depths for half-height pre-wall on rear wall with Prevista Dry fixing set, universal model 8570.36 (see Fig. 27)

WC elements	Model	Collecting pipe without insulation			Minimum pre-wall height [mm]
		DN50	DN90	DN110	
WC element – actuation at the front	8521		150	170	1120
WC element – actuation at the front	8522		150	170	1120
WC element – actuation at the front	8530		150	170	980
WC element – actuation at the front/top	8533		150	170	820
WC element – actuation at the front, individually height-adjustable	8521.32		155	170	1120
WC element – actuation at the front – height-adjustable after installation	8522.31		150	170	1120
WC element – actuation at the front, child WC	8522.33		150	170	1120/820
WC element – actuation at the front, barrier-free for support handles	8874.9		150	170	1120
WC element – actuation at the front, building project version	8524		140 ^{*)}	160 ^{*)}	1120
Washbasin elements					
Washbasin element, height-adjustable connections	8535	120	150	170	1120
Washbasin element, fixed connections	8538	120	150	170	1120
Washbasin element	8535.31	120	150	170	820–980
Washbasin element – with concealed connection box	8535.33	120	150	170	1120
Washbasin element – individually height-adjustable	8522.32	140	150	170	1120
Washbasin element – barrier-free with single-hole fitting	8536	120	150	170	1120
Washbasin element – barrier-free with single-hole fitting	8536.31	120	150	170	820–980
Washbasin element – with concealed meter	8537	130	150	170	1120
Washbasin element – with concealed meter	8537.31	130	150	170	1120
Washbasin element – for wall-mounted fitting	8540	120	150	170	1300
Washbasin element – for concealed wall-fitting	8540.31	120	150	170	1300
Washbasin element – barrier-free with wall fitting	8540.32	120	150	170	1300
Sink basin element	8540.33	120	150	170	1300
Washbasin element – building project version	8539	100 ^{*)}	140 ^{*)}	160 ^{*)}	1120
Urinal elements					
Urinal element	8560.32	120	150	170	1120–1300
Urinal element	8560	120	150	170	1300
Urinal element with siphon sensor technology	8560.31	120	150	170	1120–1300
Bidet elements					
Bidet element	8568	120	150	170	1120

^{*)} with Prevista Dry fixing set (model 8180.73)

Tab. 15: Minimum installation depths X [mm], half-height pre-wall, without cladding – without stud frame profile, on rear wall directly

Installation depths for room-height pre-wall in the 50 mm stud frame with Prevista Dry fixing set, universal, model 8570.36 (see Fig. 28)

WC elements	Model	Collecting pipe without insulation		
		DN50	DN90	DN110
WC element – actuation at the front	8521		160	180
WC element – actuation at the front	8522		160	180
WC element – actuation at the front	8530		160	180
WC element – actuation at the front/top	8533		160	180
WC element – actuation at the front, individually height-adjustable	8521.32		160	180
WC element – actuation at the front – height-adjustable after installation	8522.31		160	180
WC element – actuation at the front, child WC	8522.33		160	180
WC element – actuation at the front, barrier-free for support handles	8874.9		160	180
WC element – actuation at the front, building project version	8524		160	180
Washbasin elements				
Washbasin element, height-adjustable connections	8535	120	160	180
Washbasin element, fixed connections	8538	120	160	180
Washbasin element	8535.31	120	160	180
Washbasin element – with concealed connection box	8535.33	120	160	180
Washbasin element – individually height-adjustable	8522.32	140	160	180
Washbasin element – barrier-free with single-hole fitting	8536	120	160	180
Washbasin element – barrier-free with single-hole fitting	8536.31	120	160	180
Washbasin element – with concealed meter	8537	130	160	180
Washbasin element – with concealed meter	8537.31	130	160	180
Washbasin element – for wall-mounted fitting	8540	120	160	180
Washbasin element – for concealed wall-fitting	8540.31	120	160	180
Washbasin element – barrier-free with wall fitting	8540.32	120	160	180
Sink basin element	8540.33	120	160	180
Washbasin element – building project version	8539	120 ¹⁾	160 ¹⁾	180 ¹⁾
Urinal elements				
Urinal element	8560.32	120	160	180
Urinal element	8560	120	160	180
Urinal element – with siphon sensor technology	8560.31	120	160	180
Bidet elements				
Bidet element	8568	120	160	180

¹⁾ with Prevista Dry fixing set, universal (model 8180.73)

Tab. 16: Minimum installation depths X [mm], room-height pre-wall, without cladding – in the 50 mm stud frame profile

Installation depths for room-height partition wall in the on-site 50 mm stud frame profile, covered on one side (see Fig. 29)

WC elements	Model	Collecting pipe without insulation		
		DN50	DN90	DN110
WC element – actuation at the front	8521		210	230
WC element – actuation at the front	8522		210	230
WC element – actuation at the front	8530		210	230
WC element – actuation at the front/top	8533		210	230
WC element – actuation at the front, individually height-adjustable	8521.32		210	230
WC element – actuation at the front, height-adjustable after installation	8522.31		210	230
WC element – actuation at the front, child WC	8522.33		210	230
WC element – actuation at the front, barrier-free for support handles	8874.9		210	230
WC element – actuation at the front, building project version	8524		210	230
Washbasin elements				
Washbasin element, height-adjustable connections	8535	165	210	230
Washbasin element, fixed connections	8538	165	210	230
Washbasin element	8535.31	165	210	230
Washbasin element – with concealed connection box	8535.33	165	210	230
Washbasin element – individually height-adjustable	8522.32	165	210	230
Washbasin element – barrier-free with single-hole fitting	8536	165	210	230
Washbasin element – barrier-free with single-hole fitting	8536.31	165	210	230
Washbasin element – with concealed meter	8537	165	210	230
Washbasin element – with concealed meter	8537.31	165	210	230
Washbasin element – for wall-mounted fitting	8540	165	210	230
Washbasin element – for concealed wall-fitting	8540.31	165	210	230
Washbasin element – barrier-free with wall fitting	8540.32	165	210	230
Sink basin element	8540.33	165	210	230
Washbasin element – building project version	8539	165	210	230
Urinal elements				
Urinal element	8560.32	165	210	230
Urinal element	8560	165	210	230
Urinal element – with siphon sensor technology	8560.31	165	210	230
Bidet elements				
Bidet element	8568	165	210	230

Tab. 17: Minimum installation depths X [mm], room-height partition wall without cladding – in the 50 mm stud frame profile, covered on one side, without insulation

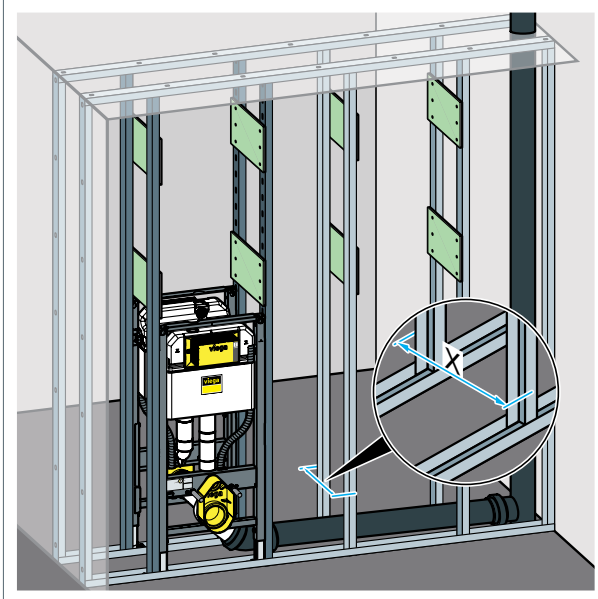
Minimum installation depths with Prevista Dry elements in room-height partition walls in the 50 mm stud frame profile, collecting pipe in DN110


Fig. 30: Minimum installation depths with Prevista Dry elements in room-height partition walls

		WC element, actuation at the front	WC element, actuation at the front	Washbasin element connections, height-ad- justable	Urinal element	Bidet element
	Model	8521	8522	8535	8560.32	8568
WC element, actuation at the front	8521	310 ^{*)}	310 ^{*)}	230	230	230
WC element, actuation at the front	8522	310 ^{*)}	310 ^{*)}	230	230	230
Washbasin element connections, height-ad- justable	8535	230	230	230	230	230
Urinal element	8560.32	230	230	230	230	230
Bidet element	8568	230	230	230	230	230

^{*)} with double elbow 285 mm

Tab. 18: Minimum installation depths X [mm], room-height partition wall, without cladding – in the 50 mm stud frame profile, collecting pipe DN 110, without insulation

Product range overview

WC elements

Model	Empty conduit for shower WC connection	Masonry walls	Concreted walls	Prevista Dry Plus pre-wall constructions	Steel stud frames	Construction height [mm]	Fixing dimension for WC ceramic = 180 mm	Fixing dimension for WC ceramic = 180 mm or 230 mm	Installer can adjust ceramic height 330–390 mm during mounting the carcass	Installer can adjust the ceramic height after installation	For floor standing WC/child WC
8521	✓	✓	✓	✓	✓	1120		✓	✓		
8522	✓	✓	✓	✓	✓	1120		✓			
8522.31		✓	✓	✓	✓	1120		✓		✓	
8522.33		✓	✓	✓	✓	1120					✓
8524		✓	✓		✓	1120	✓				
8530	✓	✓	✓	✓	✓	980		✓			
8533	✓	✓	✓	✓	✓	820		✓			

Tab. 19: Product comparison of Prevista Dry WC elements

Urinal elements

Model	Construction height	For urinal ceramics with spray head	For concealed flush actuation	For urinal ceramics without spray head
8560	1300 mm Telescopic water connection			✓
8560.31	1120–1300 mm	✓	✓	
8560.32	1120–1300 mm	✓		

Tab. 20: Product comparison, urinal elements

washbasin elements

Model	Masonry walls	Concreted walls	Prevista Dry Plus pre-wall constructions	Steel stud frames	Construction height [mm]	With concealed connection box	Bracket for concealed odour trap	Concealed water meter casing	Connections fixed	For wall-mounted fitting	For concealed wall-fitting	For barrier-free washbasin with wall fitting	For sink basins
8535	✓	✓	✓	✓	1120								
8535.31	✓	✓	✓	✓	820–980								
8535.33	✓	✓	✓	✓	1120	✓							
8536	✓	✓	✓	✓	1120		✓						
8536.31	✓	✓	✓	✓	820–980		✓						
8537	✓	✓	✓	✓	1120			✓					
8537.31	✓	✓	✓	✓	1120			✓					
8538	✓	✓	✓	✓	1120				✓				
8539	✓	✓		✓	1120				✓				
8540	✓	✓	✓	✓	1300					✓			
8540.31	✓	✓	✓	✓	1300						✓		
8540.32	✓	✓	✓	✓	1300							✓	
8540.33	✓	✓	✓	✓	1300								✓

Tab. 21: Product comparison of Prevista Dry washbasin elements

For additional product information on selected elements, see „Prevista Dry“ on page 122.

Dry construction with Prevista Dry Plus rail system



System description

The Prevista Dry Plus rail system ensures a high degree of design scope and fast installation. The Prevista Dry elements (exception: building project elements) can also be used in the Prevista Dry Plus system by expanding them with rails and rail connectors. The system also includes modules and fitting holders. This allows complex, demanding pre-wall and partition wall constructions to be easily implemented.

See online at *Products > Catalogue > Pre-wall/flushing technology > Prevista Dry Plus.*

Mounting versions

Half-height pre-wall in front of solid wall and drywall

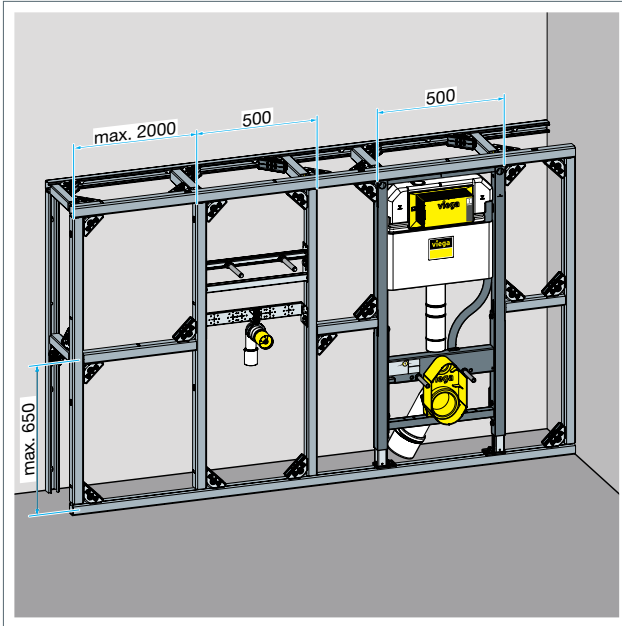


Fig. 31: Installation dimensions half-height pre-wall

Room-height pre-wall in front of solid wall and drywall

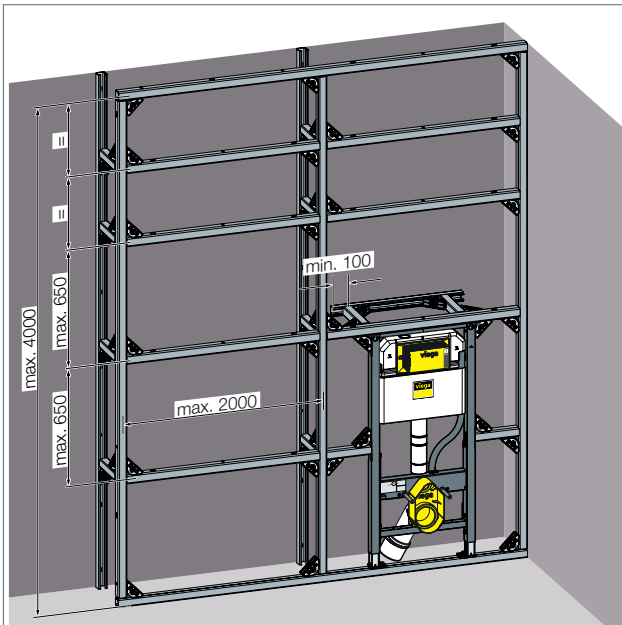


Fig. 32: Installation dimensions room-height pre-wall

Partition

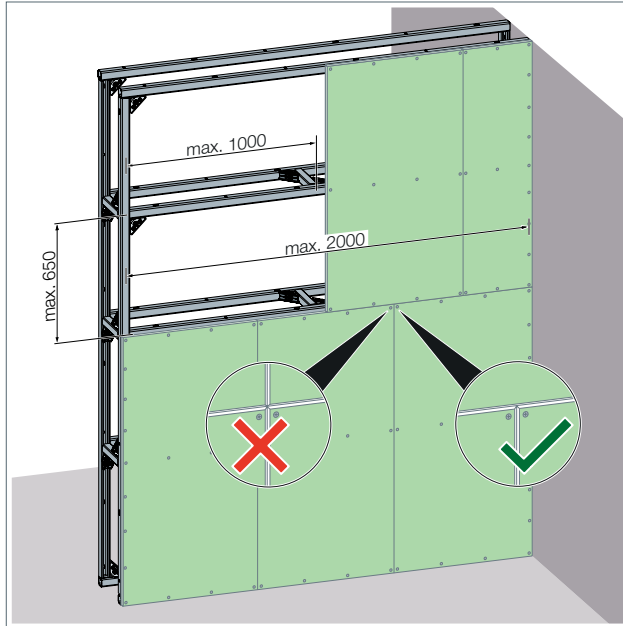


Fig. 33: Installation dimensions for partition wall and room-height room partition

Self-supporting wall

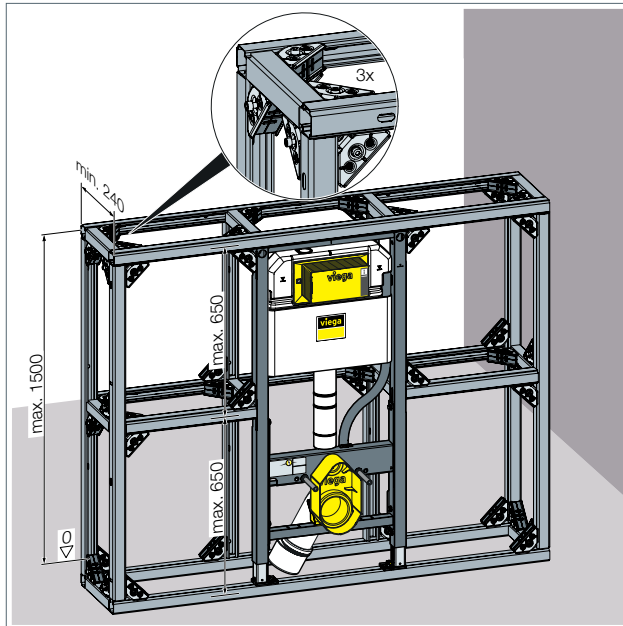


Fig. 34: Installation dimensions for self-supporting wall

Corner mounting

The Prevista elements can be built into a corner if so required by the bathroom design. Several methods are available here, either single mounting on the wall (see page 19) or in the Prevista Dry Plus system network. The images below show the installation with WC element, although the other Prevista elements can also be built into a corner.

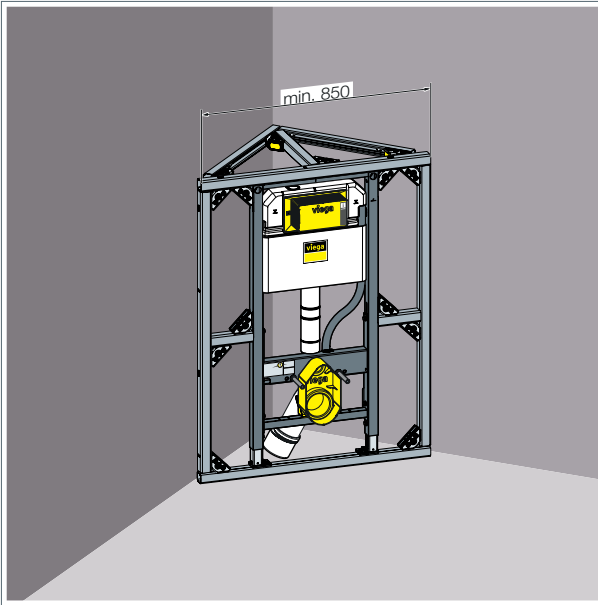


Fig. 35: Corner mounting installation dimensions with Prevista Dry Plus

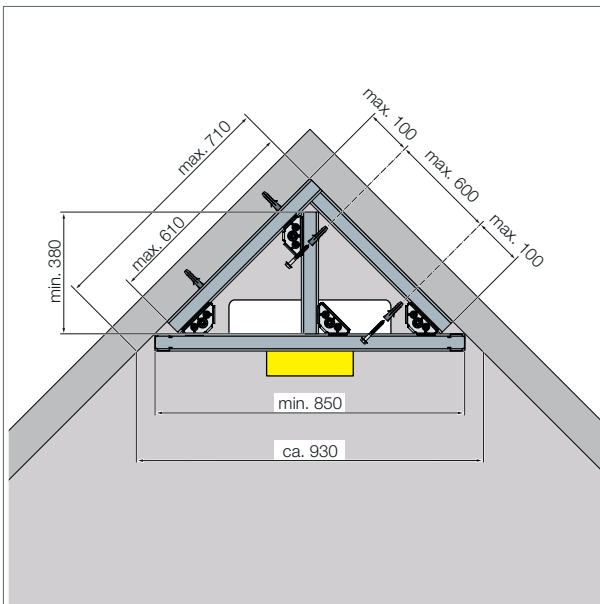


Fig. 36: Corner mounting dimensions with Prevista Dry Plus

Sample installations – WC elements for single mounting in the Prevista Dry Plus system

Sample installation 1

Barrier-free WC installation (support hinged handles on both sides) with electronic WC flush plate (incl. Viega Hygiene function).

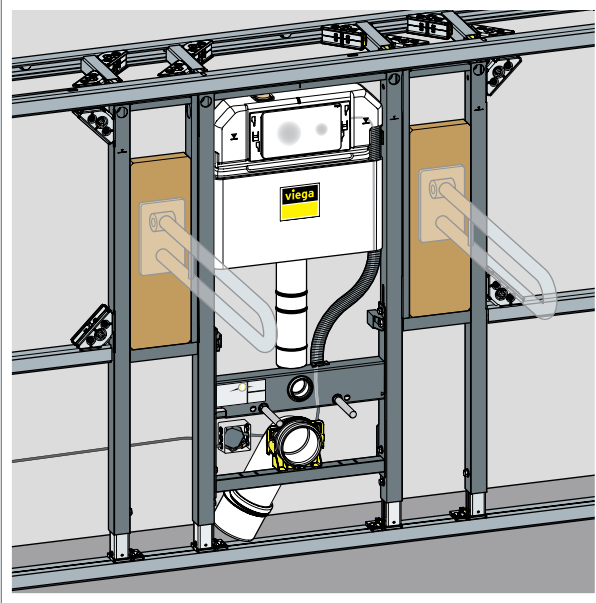


Fig. 37: Sample installation 1

Quantity	Name	Model	Art. no.
x	Prevista Dry Plus mounting rail	8401	471 781
x	Prevista Dry Plus rail connector	8410	471 798
1	Prevista Dry WC element with shower WC connection, ceramic height adjustable, 1120 mm	8521	771 997
1	Prevista Dry fixing element for support hinged handle, 1120 mm	8570.32	776 473
1	Prevista Dry fixing element for support hinged handle, 1120 mm	8570.32	776 480
1	WC flush plate for Prevista Visign for Style 25, sensitive	8615.1	774 356
1	Accessory set electronic	8655.11	783 952
1	Junction box	8570.62	786 274
2	Support hinged handles on-site		

Tab. 22: Parts list for Prevista Dry Plus sample installation 1

Sample installation 2

Barrier-free WC installation (support hinged handles on both sides) with electronic flush plate (incl. Viega Hygiene function) and additional WC remote flush actuation.

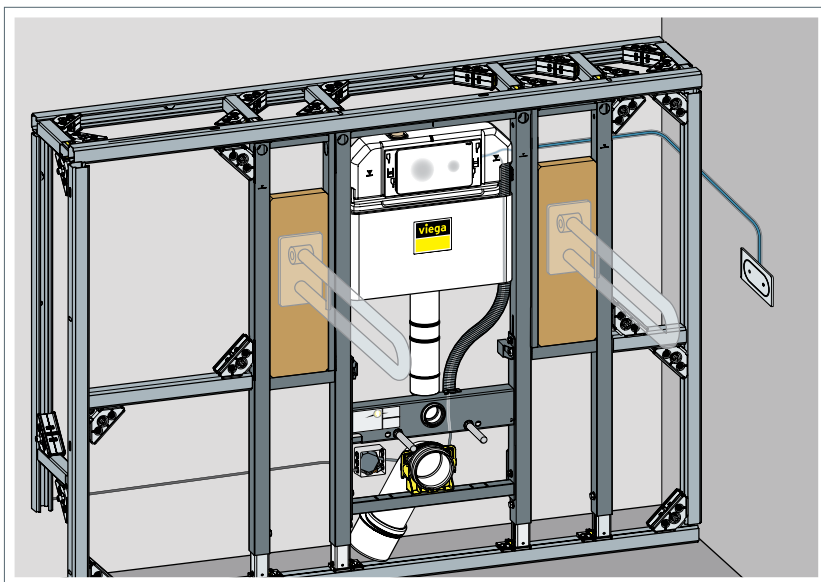


Fig. 38: Sample installation 2

Quantity	Name	Model	Art. no.
x	Prevista Dry Plus mounting rail	8401	471 781
x	Prevista Dry Plus rail connector	8410	471 798
1	Prevista Dry WC element with shower WC connection, ceramic height adjustable, 1120 mm	8521	771 997
1	Prevista Dry fixing element for support hinged handle, 1120 mm	8570.32	776 473
1	Prevista Dry fixing element for support hinged handle, 1120 mm	8570.32	776 480
1	WC flush plate for Prevista Visign for Style 25, sensitive	8615.1	774 356
1	WC remote flush actuation for Prevista Visign for Style 23, electronic	8640.1	773 083
1	Accessory set electronic	8655.11	783 952
1	Junction box	8570.62	786 274
1	Installation set (remote actuation)	8640.14	789 336
1	Extension cable adapter	8580.49	787 691
2	Support hinged handles on-site		

Tab. 23: Parts list for Prevista Dry Plus sample installation 2

Sample installation 3

Barrier-free WC installation (support hinged handles on both sides) with electronic flush plate (incl. Viega Hygiene function), additional WC remote flush actuation and radio receiver

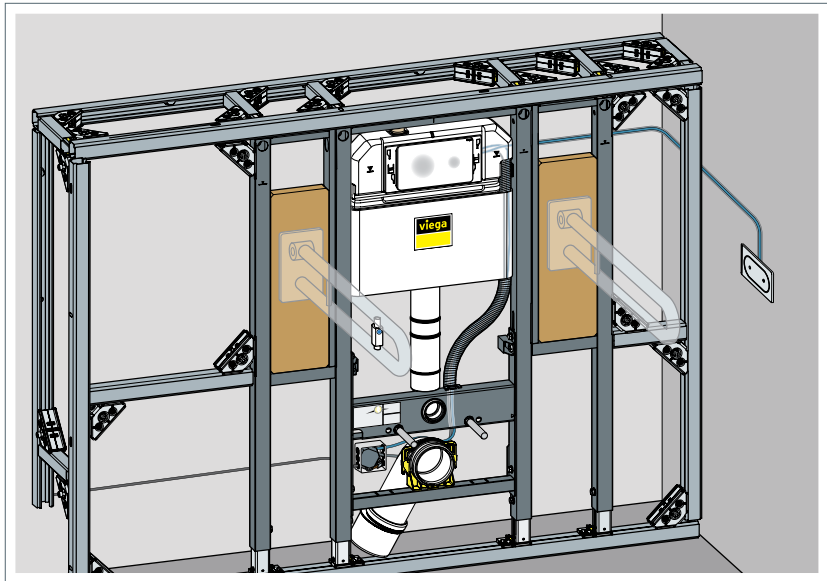


Fig. 39: Sample installation 3

Quantity	Name	Model	Art. no.
x	Prevista Dry Plus mounting rail	8401	471 781
x	Prevista Dry Plus rail connector	8410	471 798
1	Prevista Dry WC element with shower WC connection, ceramic height adjustable, 1120 mm	8521	771 997
1	Prevista Dry fixing element for support hinged handle, 1120 mm	8570.32	776 473
1	Prevista Dry fixing element for support hinged handle, 1120 mm	8570.32	776 480
1	WC flush plate for Prevista Visign for Style 25, sensitive	8615.1	774 356
1	WC remote flush actuation for Prevista Visign for Style 23, electronic	8640.1	773 083
1	Accessory set electronic	8655.11	783 952
1	Junction box	8570.62	786 274
1	Installation set (remote actuation)	8640.14	789 336
1	Extension cable adapter	8580.49	787 691
1	Radio receiver	8570.58	786 038
2	Support hinged handles on-site		
1	Flush actuation via radio signal, on-site		

Tab. 24: Parts list for Prevista Dry Plus sample installation 3

Sample installation 4

Barrier-free WC installation (support hinged handles on both sides) with electronic flush plate (incl. Viega Hygiene function), additional external flush actuation by button.

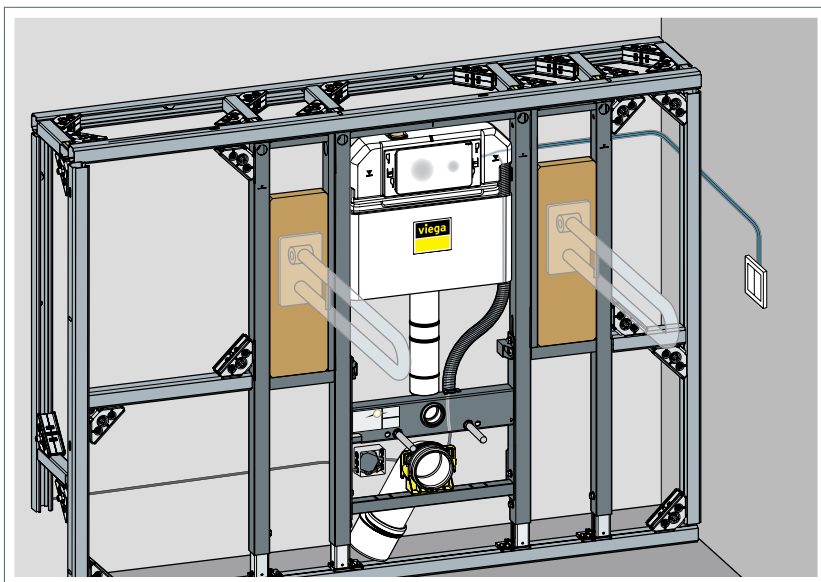


Fig. 40: Sample installation 4

Quantity	Name	Model	Art. no.
x	Prevista Dry Plus mounting rail	8401	471 781
x	Prevista Dry Plus rail connector	8410	471 798
1	Prevista Dry WC element with shower WC connection, ceramic height adjustable, 1120 mm	8521	771 997
1	Prevista Dry fixing element for support hinged handle, 1120 mm	8570.32	776 473
1	Prevista Dry fixing element for support hinged handle, 1120 mm	8570.32	776 480
1	WC flush plate for Prevista Visign for Style 25, sensitive	8615.1	774 356
1	Accessory set electronic	8655.11	783 952
1	Junction box	8570.62	786 274
1	Connection cable	8570.55	786 007
1	Extension cable adapter	8580.49	787 691
2	Support hinged handles on-site		
1	Button on-site		

Tab. 25: Parts list for Prevista Dry Plus sample installation 4

Sample installation 5

Barrier-free WC installation (support hinged handles on both sides) with electronic flush plate (incl. Viega Hygiene function) and additional radio receiver.

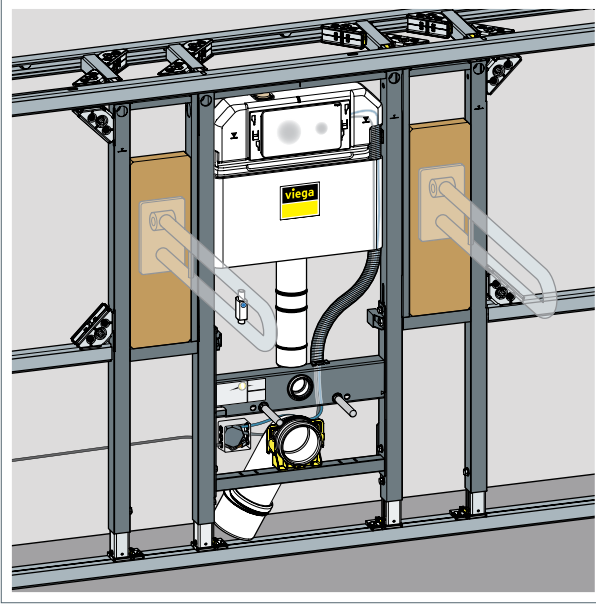


Fig. 41: Sample installation 5

Quantity	Name	Model	Art. no.
x	Prevista Dry Plus mounting rail	8401	471 781
x	Prevista Dry Plus rail connector	8410	471 798
1	Prevista Dry WC element with shower WC connection, ceramic height adjustable, 1120 mm	8521	771 997
1	Prevista Dry fixing element for support hinged handle, 1120 mm	8570.32	776 473
1	Prevista Dry fixing element for support hinged handle, 1120 mm	8570.32	776 480
1	WC flush plate for Prevista Visign for Style 25, sensitive	8615.1	774 356
1	Accessory set electronic	8655.11	783 952
1	Junction box	8570.62	786 274
1	Radio receiver	8570.58	786 038
1	Extension cable adapter	8580.49	787 691
2	Support hinged handles on-site		
1	Flush actuation via radio signal, on-site		

Tab. 26: Parts list for Prevista Dry Plus sample installation 5

Sample installation 6

Barrier-free WC installation (support hinged handles on both sides) with electronic flush plate (incl. Viega Hygiene function), additional radio receiver and redundant power supply

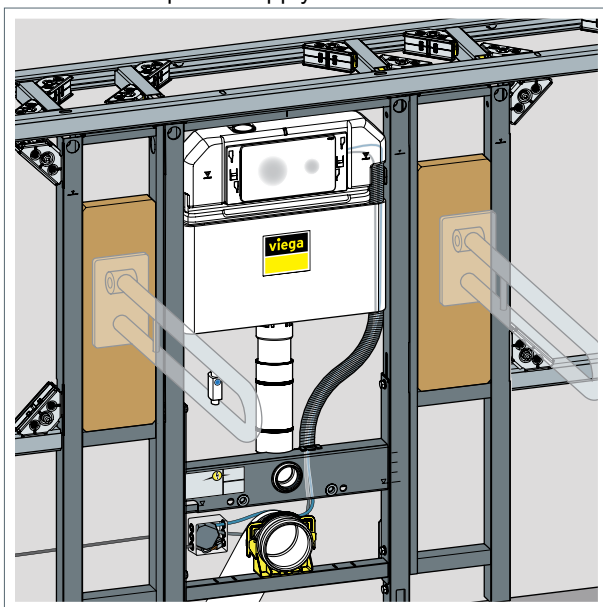


Fig. 42: Sample installation 6

Quantity	Name	Model	Art. no.
x	Prevista Dry Plus mounting rail	8401	471 781
x	Prevista Dry Plus rail connector	8410	471 798
1	Prevista Dry WC element for support hinged handles	8874.9	793 074
1	WC flush plate for Prevista Visign for Style 25, sensitive	8615.1	774 356
1	Accessory set electronic	8655.11	783 952
1	Junction box	8570.62	786 274
1	Radio receiver	8570.58	786 038
1	Redundant power supply (incl. 6 V battery)	8570.57	786 021
1	Extension cable adapter	8580.49	787 691
2	Support hinged handles on-site		
1	Flush actuation via radio signal, on-site		

Tab. 27: Parts list for Prevista Dry Plus sample installation 6

Sample installation 7

Barrier-free WC installation (support hinged handles on both sides) with manual electronic flush plate (incl. Viega Hygiene function).

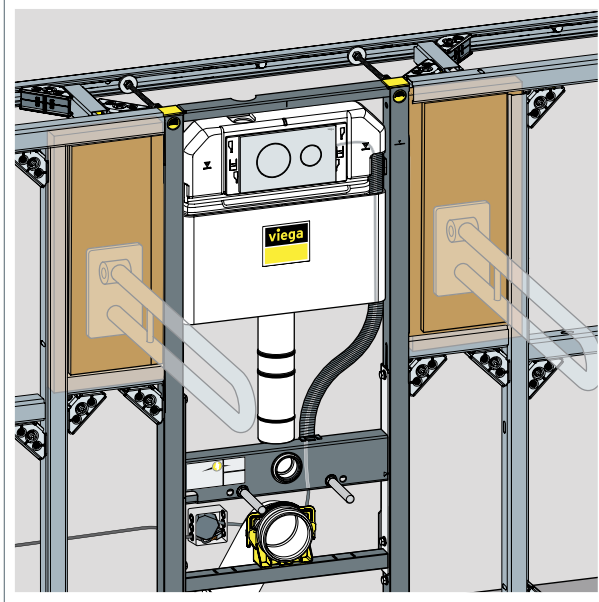


Fig. 43: Sample installation 7

Quantity	Name	Model	Art. no.
x	Prevista Dry Plus mounting rail	8401	471 781
x	Prevista Dry Plus rail connector	8410	471 798
1	Prevista Dry WC element with shower WC connection, ceramic height adjustable, 1120 mm	8521	771 997
2	Prevista Dry plywood board	8570.33	776 503
1	Prevista Dry Plus fixing set	8570.49	785 925
1	WC flush plate for Prevista Visign for Style 20	8610.1	773 793
1	Accessory set electronic	8655.11	783 952
1	Junction box	8570.62	786 274
2	Support hinged handles on-site		

Tab. 28: Parts list for Prevista Dry Plus sample installation 7

Sample installation 8

Barrier-free WC installation (support hinged handles on both sides) with manual electronic flush plate (incl. Viega Hygiene function) and radio receiver.

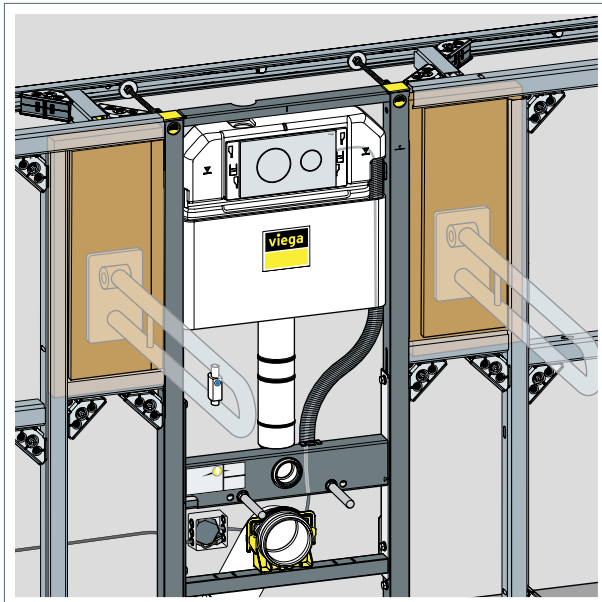


Fig. 44: Sample installation 8

Quantity	Name	Model	Art. no.
x	Prevista Dry Plus mounting rail	8401	471 781
x	Prevista Dry Plus rail connector	8410	471 798
1	Prevista Dry WC element with shower WC connection, ceramic height adjustable, 1120 mm	8521	771 997
2	Prevista Dry plywood board	8570.33	776 503
1	Prevista Dry Plus fixing set	8570.49	785 925
1	WC flush plate for Prevista Visign for Style 20	8610.1	773 793
1	Accessory set electronic	8655.11	783 952
1	Junction box	8570.62	786 274
1	Radio receiver	8570.58	786 038
2	Support hinged handles on-site		

Tab. 29: Parts list for Prevista Dry Plus sample installation 8

Installation depths

The tables below show various pre-walls and partition walls, covered on one side or both sides. All dimensions are based on a DN100 collecting pipe.

- T1: Half-height pre-wall with rear wall connection
- T2: Half-height room partition, free-standing, covered on one side
- T3: Room height partition wall, fixed on one side, covered on both sides
- T4: Room height partition wall, fixed on both sides, covered on both sides

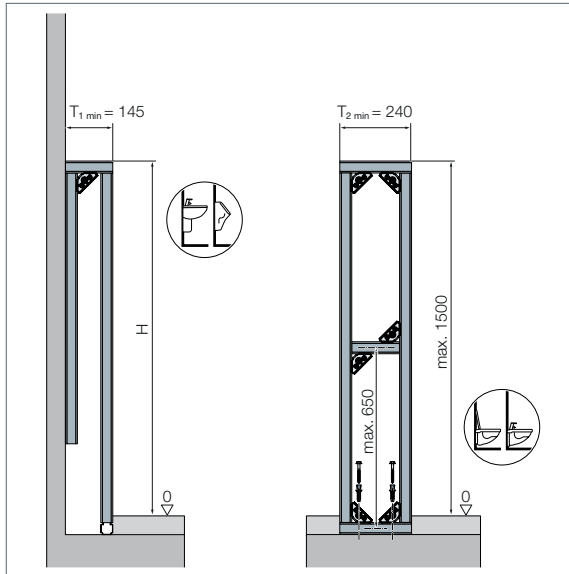


Fig. 45: Half-height pre-wall

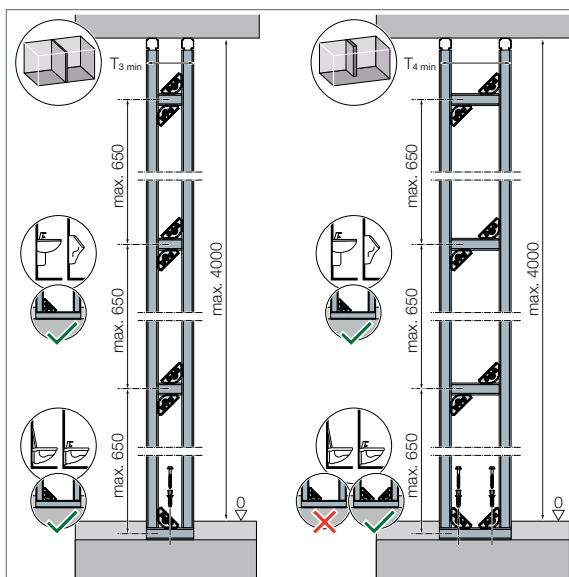


Fig. 46: Partition

	Model	Art. no.	H standard [mm]	T1 min. [mm]	T2 min. [mm]	T3 room-high min. [mm]	T4 room-high min. [mm]
WC	8522	771 980	1120	150	240	210	210
	8521	771 997	1120	150	240	210	210
	8521.32	772 024	1120	215	240	300	300
	8522.31	772 031	1120	200	240	260	260
	8522.33	772 048	1120	150	240	210	210
	8530	772 000	980	150	240	210	210
	8533	772 017	820	150	240	210	210
Wash-basin	8540	776 220	1300	145	240	165	145
	8540.31	776 237	1300	145	240	165	145
	8540.33	776 039	1300	145	240	165	145
	8535	776 183	1120	145	240	165	145
	8536	776 046	1120	145	240	165	145
	8535.33	776 776 776 206	1120	145	240	165	145
	8535.32	776 213	1120	145	240	165	145
	8535.31	776 190	820–980	145	240	165	145
	8536.31	776 251	820–980	145	240	165	145
	8537	776 268	1120	145	240	165	145
	8537.31	776 275	1120	145	240	165	145
	8538	789 329	1120	145	240	165	145
8540.33	776 282	1300	145	240	165	145	
Urinal	8560	776 404	1300	145	240	165	145
	8560.32	776 411	1120–1300	145	240	165	145
	8560.31	776 428	1120–1300	145	240	165	145
Bidet	8568	776 442	1120	145	240	210	145

Tab. 30: Installation depths for Prevista Dry elements

Covered on both sides, for room partition, half-height, T2 min.

All specifications are in regards to installation depths without cladding and tiles.

Model	Art. no.	H standard [mm]	WC	Washbasin	Urinal	Bidet	Fitting holder	
WC	8522	771 980	300*	-	-	300*	776 398	
	8521	771 997	-	280	240	-	776 381	
	8530	772 000	300*	-	-	-	776 558	
	8533	772 017	-	-	240	-	776 374	
	8540	776 220	-	-	-	-	776 367	
	8540.31	776 237	1300	240	240	-	776 350	
	8540.32	776 039	-	-	-	-	776 343	
	8540.33	776 282	-	-	-	-	776 336	
	8537	776 268	-	-	-	-	776 329	
	8537.31	776 275	-	-	-	-	240	
Washbasin	8538	789 329	-	-	-	-	-	
	8535	776 183	1120	240	240	240	-	
	8536	776 046	-	-	-	-	-	
	8535.33	776 206	-	-	-	-	-	
	8535.32	776 213	-	-	-	-	-	
	8535.31	776 190	-	-	-	-	-	
	8536.31	776 251	820-980	280	240	-	-	
	8545	776 299	-	-	-	-	-	
	8545.31	776 305	-	280	240	240	-	
	8545.32	776 312	-	-	-	-	-	
Urinal	8560	776 404	-	240	240	-	-	
	8560.32	776 411	-	-	240	-	-	
	8560.31	776 428	1120-1300	240	240	240	-	
	8565	776 435	-	240	240	240	-	
Bidet	8568	776 442	1120	240	240	240	240	
	8555	776 329	-	-	-	-	240	
Fitting holder	8555.31	776 336	-	-	-	-	-	
	8555.32	776 343	-	-	-	-	-	
	8555.33	776 350	-	-	-	-	-	
	8555.34	776 367	-	-	-	-	-	
	8555.38	776 374	-	-	-	-	-	
	8558	776 558	-	-	-	-	-	
	8555.35	776 381	-	-	-	-	-	
	8555.36	776 398	-	-	-	-	-	

* with WC double elbow 285 mm

Covered on both sides, for partition wall, room-high, T3 min./T4 min.

All specifications are in regards to installation depths without cladding and tiles.

Model	Art. no.	H standard [mm]	WC	Washbasin	Urinal	Bidet	Fitting holder		
WC	8522	1120	771 980	-	-	300*	-		
	8521		771 997					300*	
	8530		772 000						300*
Washbasin	8540	1300	776 220	-	-	-	-		
	8540.31		776 237						
	8540.32		776 039						
	8540.33		776 282						
	8537		776 268						
	8537.31		776 275						
	8538		789 329						
	8535		776 183						
	8536		776 046						
	8535.33		776 206						
Urinal	8560	1120-1300	776 404	-	-	280	-		
	8560.32		776 411						
	8560.31		776 428						
	8565		776 435						
	8568		776 442						
	8555		776 329						
	8555.31		776 336						
	8555.32		776 343						
	8555.33		776 350						
	8555.34		776 367						
Bidet	8555.38	-	776 374	-	-	280	-		
	8558		776 558						
	8555.35		776 381						
	8555.36		776 398						
	772 000		772 000					280	240
	771 997		771 997					280	240
771 980	771 980	280	240						
Fitting holder	8562	-	776 220	-	-	-	-		
	8540.31		776 237						
	8540.32		776 039						
	8540.33		776 282						
	8537		776 268						
	8537.31		776 275						
	8538		789 329						
	8535		776 183						
	8536		776 046						
	8535.33		776 206						
	8535.32		776 213						
	8560		776 404						
8560.32	776 411								
8560.31	776 428								
8565	776 435								
8568	776 442								
8555	776 329								
8555.31	776 336								
8555.32	776 343								
8555.33	776 350								
8555.34	776 367								
8555.38	776 374								
8558	776 558								
8555.35	776 381								
8555.36	776 398								

* with WC double elbow 285 mm

Mounting tools

Mounting tools for constructing a Prevista Dry Plus pre-wall

- Rail punch model 8420
 - for cutting and punching the mounting rail without burr
- Allen key (if necessary: T-handle) 5 mm
 - for tightening the Prevista Dry Plus rail connector and the Prevista Dry Plus parallel connector (included in the Prevista Dry Plus complete set from 3 m²)
- Hexagonal socket 13 mm
 - for adjusting the crossbeams in the Prevista Dry element and the floor supports of the elements
- Ring spanner 17 mm/19 mm (alternatively reversible double ratchet ring spanners 10/13 and 17/19)
 - for adjusting the individual modules in the Prevista Dry Plus rail system
- Drill hammer with a masonry drill
- Jigsaw
- Cutting knife
- Drywall plane
 - for chamfering the cladding panels
- Core drill

Additional tools:

- Spirit level (possibly with magnet) 150 cm and 40 cm
- Cordless screwdriver

Mounting rail arrangement

For pre-wall mounting with a Prevista element, you are free to decide whether the mounting rail is to run above the element or border the element at the side. In this case, fixing set model 8570.49 must be used. The advantage is that the construction height is reduced by 40 mm with a half-height pre-wall. Example: the height of the Prevista Dry element, model 8522, is 1120 mm. With the continuous rail above, a dimension of 1160 mm + cladding and wall covering is achieved. The fixing set allows the construction height of 1120 mm (+ cladding and wall covering) to be respected.

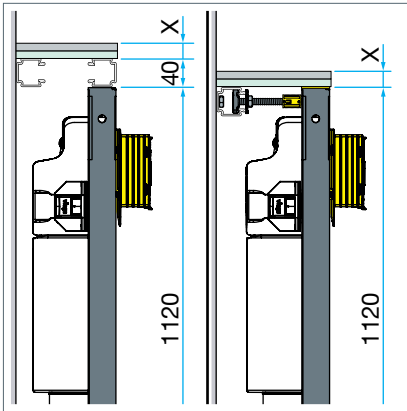


Fig. 47: Model 8522 (construction height 1120 mm) with continuous rail

Mounting rail for actuation from the top

The Prevista Dry Plus- fixing set (model 8570.49) must be used for a low half-height wall with a WC element and a height of 820 mm (model 8533) and actuation from the top. For actuation from the top, the mounting rail must not run in front of the inspection shaft.

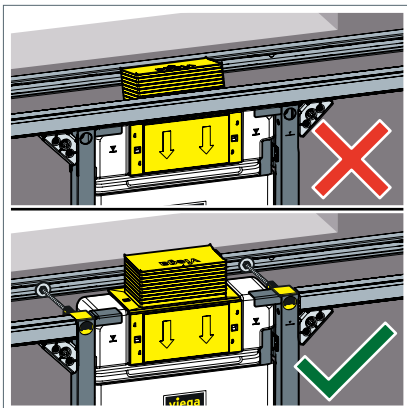


Fig. 48: Model 8533 for actuation from the top: continuous mounting rail not possible

Product range overview

For product information, see „Prevista Dry Plus“ on page 145.

Wet construction with Prevista Pure



System description

The Prevista Pure pre-wall blocks perfectly match the requirements in wet construction and offer the utmost flexibility in single mounting. There are two variants – construction heights of 820 mm and 1077 mm. In addition to the WC block, blocks for urinal, washbasin and bidet are also available. See online at *Products > Catalogue > Pre-wall/flushing technology > Prevista Pure*.

Mounting versions

Blocks in front of a solid wall

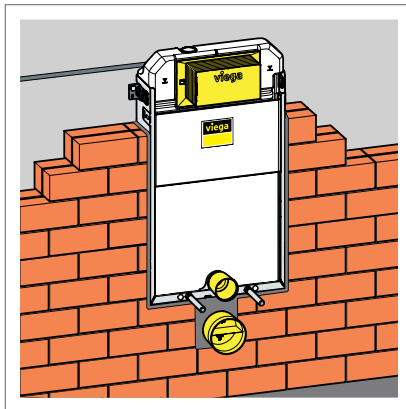


Fig. 49: Overall construction of Prevista Pure blocks in front of a solid wall



NOTE!

To permit a load of up to 400 kg, the floor of the WC block must be filled with mortar and underpinned (see Fig. 50).



Fig. 50: Filling up the floor of the WC block with mortar.

Blocks in Prevista Dry Plus rail (line mounting)

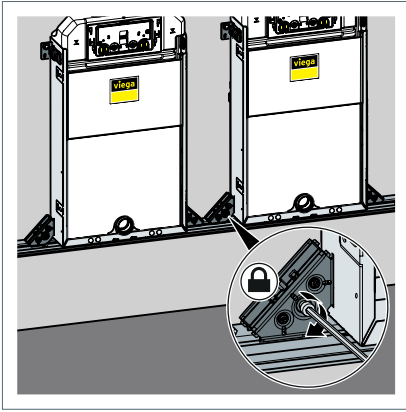


Fig. 51: Overall construction of Prevista Pure blocks on a Prevista Dry Plus rail (line) with rail connector, model 8410

Self-supporting installation with standing bracket

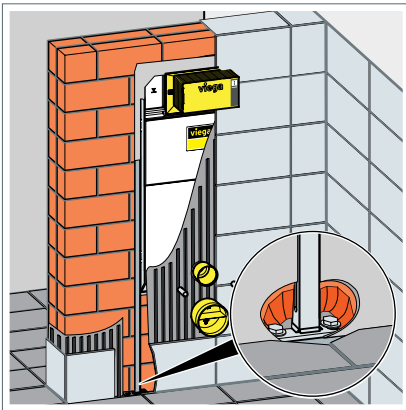


Fig. 52: Self-supporting installation with standing bracket, model 8570.54

For more information on the standing brackets, see page 160.

Concealed cisterns in combination with floor-standing WC

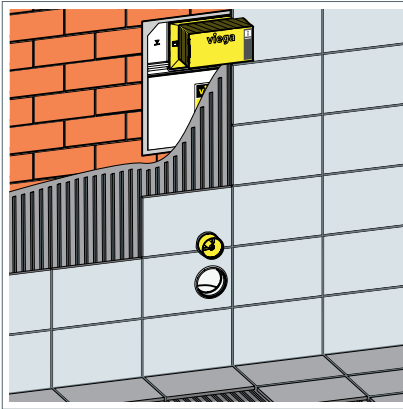


Fig. 53: Overall construction of Prevista Pure cisterns, model 8502, in combination with floor-standing WC

Product range overview

For product information on the wet blocks, see „Prevista Pure“ on page 156.

General system technology

Concealed cistern

System description

The new Viega concealed cisterns from year of construction 2019 are used in all Prevista pre-wall systems, in dry construction (Prevista Dry) and also in wet construction (Prevista Pure).

- Construction heights of 82 cm, 98 cm and 112 cm
- Construction height of 82 cm with actuation from the top or the front (3L cistern)
- Construction heights of 98 cm and 112 cm with actuation from the front (3H cistern)
- Successor models of Viega concealed cisterns 2H and 2L (2007–2019)
- Suitable for all new Viega flush plates from May 2019 onwards (Prevista)

Colour concept for components:

Moving parts and parts that can be mounted in the cistern by hand are yellow. This shows at a glance which components can be mounted without using tools.

Tool-free cistern operation:

The advantages of the new Prevista operating concept are especially clear with the new drain valve. The large and small flush volumes are adjusted using two yellow slides; the flushing flow via a flushing throttle. Commercially available spare parts can also be used to maintain the filling or drain valve .

	Viega concealed cistern 3H	Viega concealed cistern 3L
Prevista Dry WC element, CH 1120, model 8521	✓	
Prevista Dry WC element, CH 1120, model 8522	✓	
Prevista Dry WC element, CH 980, model 8530	✓	
Prevista Dry WC element, CH 820, model 8533		✓
Prevista Dry WC element, CH 1120, model 8521.31	✓	
Prevista Dry WC element, CH 1120, model 8522.31	✓	
Prevista Dry WC element, CH 1120, model 8522.33	✓	
Prevista Pure WC block, CH 1077, model 8512	✓	
Prevista Pure WC block, CH 820, model 8516		✓
Prevista Pure WC block, CH 1077, model 8512.31	✓	

Tab. 31: Viega concealed cisterns 3H and 3L in Prevista Dry WC elements and Prevista Pure WC blocks

Properties/technical notes

The new Viega concealed cistern has a water capacity of 7.5 l.

The water is delivered by means of dual flush technology.

The flush volumes are individually adjustable:

Pre-assembled water connection	R $\frac{1}{2}$	
	Small flush volume	
	Factory setting	approx. 3 l
	Setting range	approx. 2–4 l
Large flush volume	Factory setting	
		approx. 6 l
	Setting range	approx. 3.5–7.5 l
		Scaling: 3,5/4,0/4,5/5,5/6,0/7,5

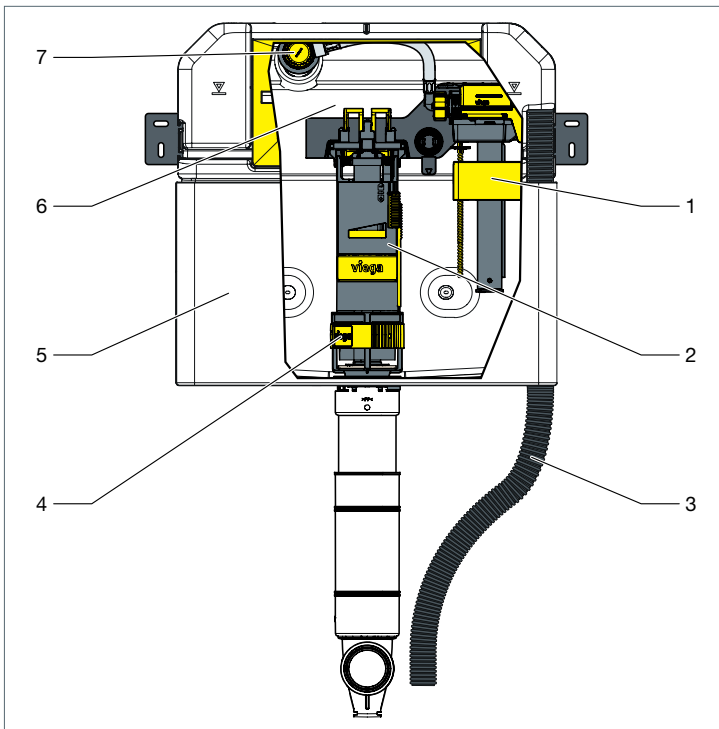


Fig. 54: Overview of concealed cistern

- 1 Filling valve
Can be installed and removed without the use of tools.
- 2 Drain valve
Can be installed and removed without the use of tools.
- 3 Shower WC connection
Prevista Dry WC elements offer a connection for commercially available shower WCs. The shower WC connection set is available as an option.
- 4 Flexible flushing throttle
Permitted with all WC ceramics. The optimum flushing flow is set by adjusting the adjustment ring. Five increments for adjustments to suit any commercially available WC ceramic.
- 5 Cisterns by blow moulding
The new Prevista cisterns are produced by blow moulding. This technology achieves maximum leak tightness and reliable long-lasting quality without individual components having to be joined together.
- 6 Flush plates
All new WC flush plates for Prevista can be used and are interchangeable.
- 7 Water connection
The flexible Viega water connection permits connections to any piping system, to Raxofix, for example, using the Prevista pipe connections. The connection can be made either from the top or the rear. With low concealed cisterns (3L), the water connection is made from the left.

Drain valve and flushing throttle

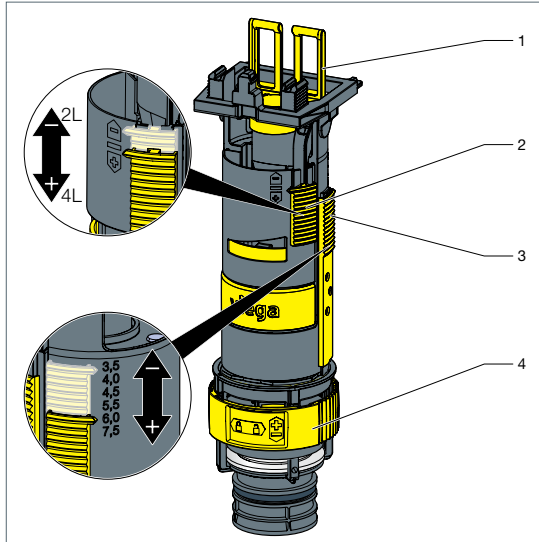


Fig. 55: Overview of Prevista drain valve

- 1 Folding the two levers to the front shortens the drain valve, making it easier to remove for maintenance
- 2 Slide control for setting the small flush volume 2–4 litres
- 3 Slide control for setting the large flush volume 3.5–7.5 litres (3,5/4,0/4,5/5,5/6,0/7,5)
- 4 Integrated flushing throttle, five settings:

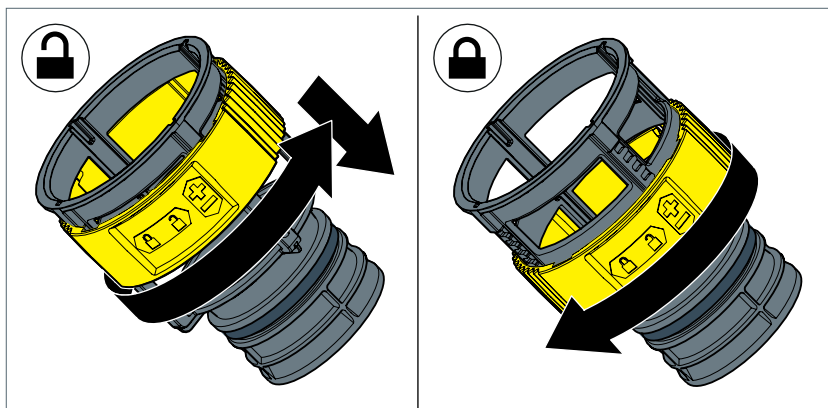


Fig. 56: Flushing throttle – reduce flush volume

Cleaning and maintenance

The concealed cistern is constantly under mechanical, chemical, and physical stress. For this reason, the components must be cleaned as required, and the drain and filling valve seals renewed. In areas or regions with hard water due to high concentration of calcium or magnesium salts, there is the risk of limescale deposits developing on the inlet and drain valves.

Shower WC connection

A shower WC can be connected to most Prevista Dry WC elements. The connection hose of the shower WC can be routed, with the connection set, model 8570.63, through a pre-assembled empty conduit from the corner valve of the cistern to the connection point on the shower WC concerned. This saves having to route the pipe separately and shut-off the system on-site.

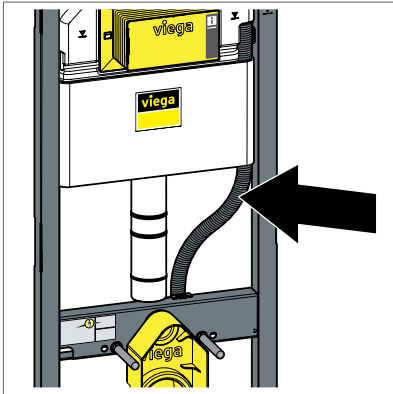


Fig. 57: Shower WC connection for Prevista Dry elements

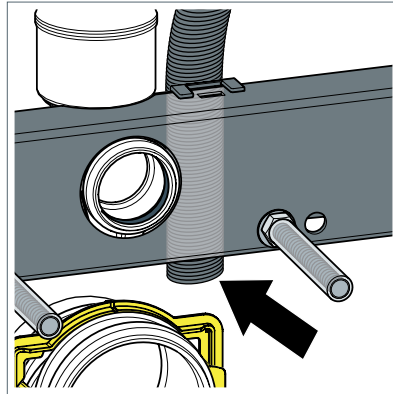




Fig. 58: Shower WC connection: empty conduit

An electrical connection is required to operate a shower WC (see „Electrical connection mains adapter“ on page 71). This can be positioned behind the WC ceramic, for example, or at other accessible points (suspended ceiling with extension cable, concealed sockets, etc.).

A connection to the shower WC can be established using the connection set, model 8570.63 (in versions for installation with 980-/1120-mm WC elements or 820 mm WC elements). Viega also offers a set without flexible hose (model 8580.66) for use with a shower WC that has been supplied with a sufficiently long flexible hose.



Fig. 59: Connection set model 8570.63

Model	Art. no.	Construction height of the WC element	QR code
8570.63	787 707	820 mm	
	786 670	980–1120 mm	
8580.66	803 384		

Tab. 32: Overview of connection set, model 8570.63

Routing through the wall is possible at the point specified by the shower WC manufacturer for the water connection. The flexible hose is routed first to the opening in the seal plug and then onward to the cistern through the empty conduit of the WC element.

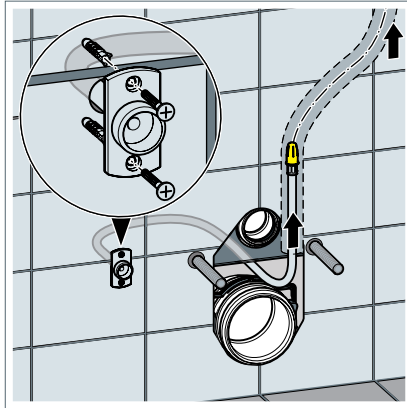


Fig. 60: Shower WC connection set: routing the flexible hose

In the cistern itself, the flexible hose in place between corner valve and filling valve is exchanged for the connection T-piece. The connection T-piece is connected to the shower WC by means of the corner valve, filling valve and flexible hose. The corner valve has to be shut-off ahead of disassembly.

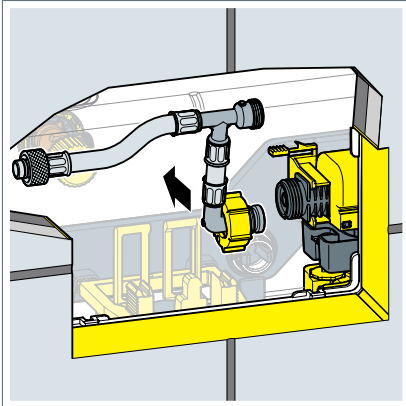


Fig. 61: Exchanging flexible hose for connection T-piece

Once the installation set is in place, the large seal plug allows the cladding and tiles to create the space required to connect a shower WC.

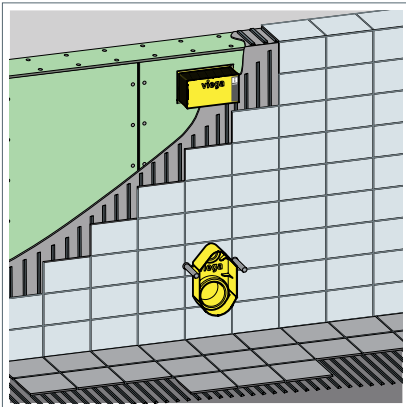


Fig. 62: Cladding and tiles with seal plug

Wastewater connection

The drain elbow can be adjusted in 3 increments, the depth setting for each increment is 20 mm. Once the desired depth is set, the drain elbow is fixed using the bow.

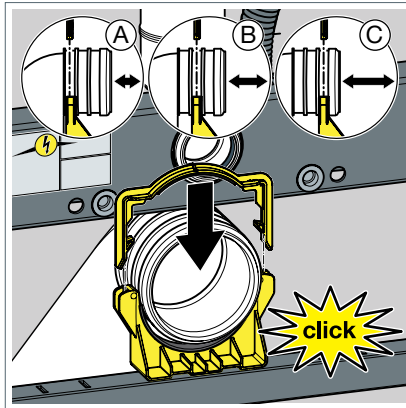


Fig. 63: 3-increment depth adjustment of the drain elbow

Water connection

Pipe connection with Prevista connectors

The Viega Prevista pre-wall system can be connected to the Raxofix pre-fabricated piping system quickly and without tools using the new connection system. The transition can easily be positioned at a later time.

The piping connection of the shut-off valve is matched to the Raxofix piping system for all Prevista WC concealed cisterns and urinal flushing systems. The press connector seals by means of an O-ring in the plug-in seat of the fitting and, as a result, can be connected without tools by a metal union nut. Since there is no sealing-in on-site, the mounting process is especially time-saving and hygienic.

Features at a glance:

- Tool-free piping connection (time-saving)
- All components in a robust metal design
- Effective protection against leaks by avoiding unnecessary separating points in the wall installation (long wall plate, model 8055.2)
- The lines can be looped through
- The connection matched to Raxofix offers the same Zeta values as the conventional Raxofix press connectors, see „Prevista pipe connections“ on page 185.

Product range overview

See „Prevista pipe connections“ on page 185.

Electrical connection mains adapter

Place of installation

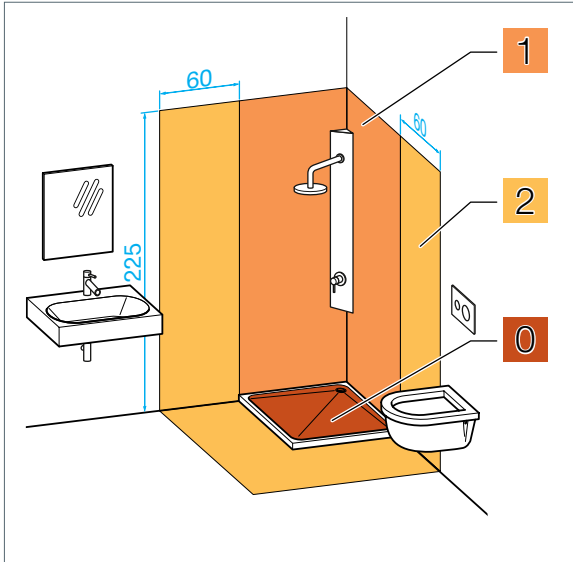


Fig. 64: Protected zones

According to VDE 0100 part 701, installing the mains adapter in protected zones 0 and 1 of shower rooms and bathrooms is not permitted.

Viega recommends installing the mains adapter outside of the protected zones 0–2.

Positioning

The electrical connection can be positioned behind the WC ceramic. From there, the cable can be routed through the empty conduit of the shower WC connection and up to the concealed cistern. Because of the enlarged seal plug, the zone behind the WC ceramic is opened wide enough to change the mains adapter if required.

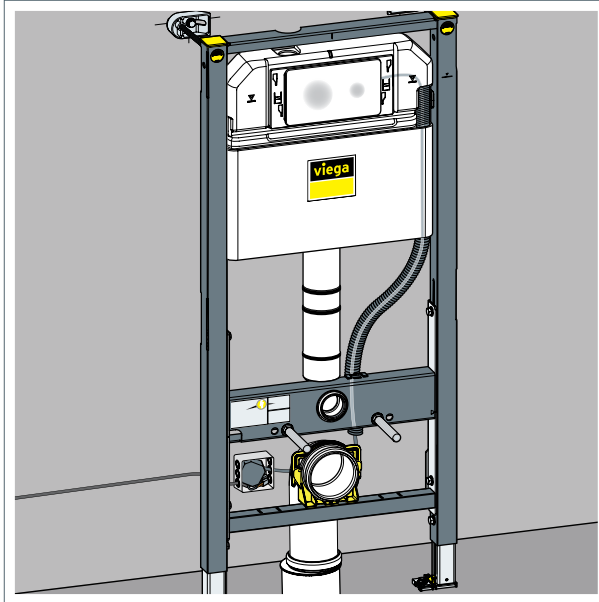


Fig. 65: Mains adapter positioned behind the WC ceramic

Installation

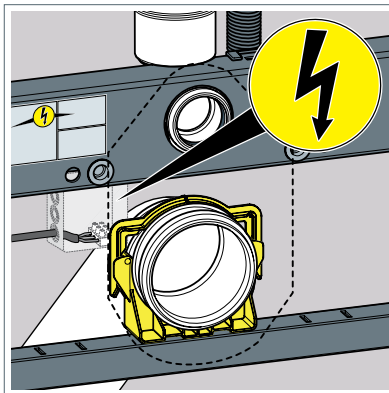


Fig. 66: Laying the power supply

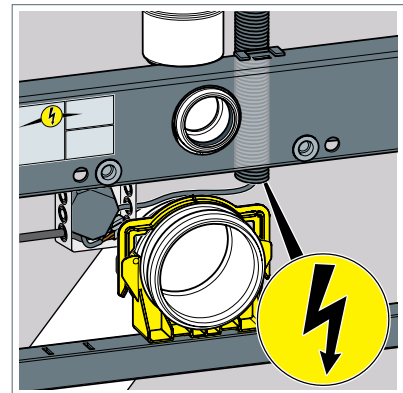


Fig. 67: Lay the mains adapter cable through the empty conduit

The mains adapter can be installed up to twice with the extension cable, model 8352.690 (length 2 m), in a suspended ceiling for example. This allows the supply line between mains adapter and flush plate to be extended by max. 4 m to approx. 5 m. If this is the case, Viega recommends introducing the cable into the cistern through an on-site connection opening.

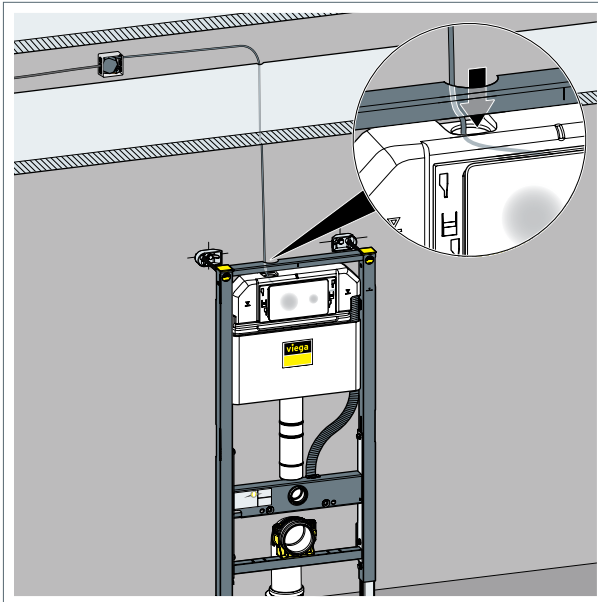


Fig. 68: Installing the mains adapter in a suspended ceiling



Fig. 69: Extension cable, model 8352.690



The following WC flush plates require an on-site electrical connection. It should be possible to access this electrical connection in case of need (to change the mains adapter for example).

- Visign for Style 25, model 8615.1
- Visign for More 201, model 8621.1
- Visign for More 202, model 8622.1
- Visign for More 204, model 8624.1
- Visign for More 205, model 8625.1
- Visign for Public 12, model 8635.1
- Remote flush actuation Visign for Style 23, model 8640.1
- Remote flush actuation Visign for More 200, model 8641.1

Urinals

Installation situations

If an IR sensor is to be installed at the urinal, the following rules must be observed:

Minimum distance to walls opposite

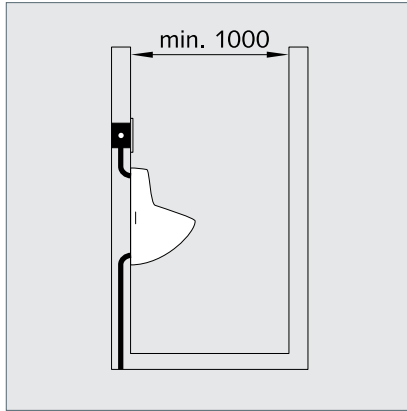


Fig. 70: Minimum distance to walls opposite

- A minimum distance of 1000 mm must be maintained to the opposite walls.
- If high-gloss wall claddings (polished tiles, mirrors, etc.) are situated opposite, the minimum distance is 1500 mm.

Minimum distance to urinals opposite

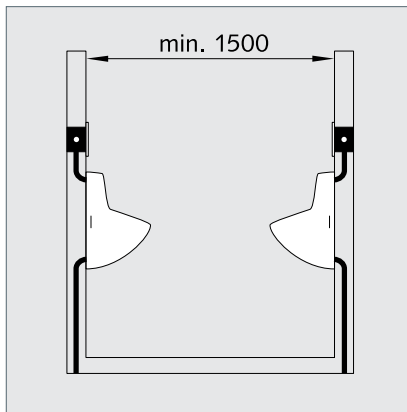


Fig. 71: Minimum distance to urinals opposite

- A minimum distance of 1500 mm must be maintained to urinals situated opposite with infrared sensors.

Concealed flush actuation

The concealed flush actuation allows flushing to be actuated without flush plate or cover plate. Consequently, it is protected against vandalism in public areas. The high degree of design scope allows the concealed flush actuation to be used for domestic applications as well.

A sensor located inside the urinal odour trap detects the flow and temperature changes resulting from use and automatically actuates flushing. To prevent unpleasant odours, the system detects when the water level in the odour trap is too low and tops it up with a small flush.

The concealed flush actuation can also be used for frequent intervals.

Water is saved despite frequent use: the flushing program detects the chain actuation and automatically reduces the flush volume from three litres to one litre. In addition, the automatic flush actuation is efficiently limited to one per minute.

The concealed flush actuation is also equipped with the Viega Hygiene function. If no flushing occurs within 24 hours (non-use), a flushing is actuated automatically.

The reed contact can be used to diagnose the system and the flushing parameters can be changed if required. If the odour trap is clogged, flushing is blocked for example.



Fig. 72: Prevista Dry urinal element flush actuation concealed (model 8560.31)



Fig. 73: Equipment set flush actuation concealed (model 8560.33)



For more information on the urinal element, see page 134.

Replacing the crossbeam

With the model 8560.31 and model 8560.32 urinal elements (see „Urinal elements“ on page 133), the crossbeams can be swapped within the element frame. The advantage of this is that the element can be set to different urinal ceramic connection dimensions.

The crossbeams are fixed with quick-release clamps, and these must be opened. The lever is rotated through 90° and the quick-release clamp can then be removed. To detach the crossbeam to be replaced, the quick-release clamps on both sides must be opened and removed. To re-insert the crossbeam, the steps described above must be carried out in reverse order. The crossbeam can also be rotated through 180° for setting further dimensions. The removal and re-installation operations follow the same principle.

Flush plates for WCs

System description



The WC flush plates for Prevista can be actuated manually, electronically or touchless, depending on the model. To completely mount the electronic flush plate, you need the electronic accessory set (model 8655.11). The flush volume is set using the drive unit DIP switch (see page 78). Also, external sensors (wired or radio receiver) can be connected to electronic flush plates. See online at *Products > Catalogue > Pre-wall/flushing technology > flush plates/accessories*.



To make it easier to identify a suitable flush plate, Viega offers a flush plate configurator. For more information, see „Viega flush plate configurator“ on page 189.

Combination options with concealed cisterns

All Viega WC flush plates from year of construction 2019 can be used with the new Viega concealed cisterns.

			
S1 Prevista Dry	8521/8522/8530/8521.32/ 8522.31/8522.33/8524	8533 ¹⁾	8533 ²⁾
S3 Prevista Pure	8502/8512/8512.31	8516 ¹⁾	8516 ²⁾
Visign for Life 5 8601.1	✓	✓	✓
Visign for Life 6 8602.1	✓	✓	✓
Visign for Style 20 8610.1	✓	✓	✓
Visign for Style 21 8611.1	✓	✓	✓
Visign for Style 23 8613.1	✓	✓	✓
Visign for Style 24 8614.1	✓	✓	✓
Visign for More 200 8620.1	✓	✓	
Visign for More 201 8621.1	✓	✓	✓
Visign for More 202 8622.1	✓	✓	
Visign for More 204 8624.1	✓	✓	✓
Visign for Style 25 sensitive 8615.1	✓	✓	✓
Visign for More 205 sensitive 8625.1	✓	✓	
Visign for Public 10 8630.1	✓	✓	✓
Visign for Public 11 8631.1	✓	✓	✓
Visign for Public 12 8635.1	✓	✓	

¹⁾ Actuation from the front

²⁾ Actuation from the top

Tab. 33: Combination options – flush plates with Prevista Dry WC elements

Viega Hygiene function

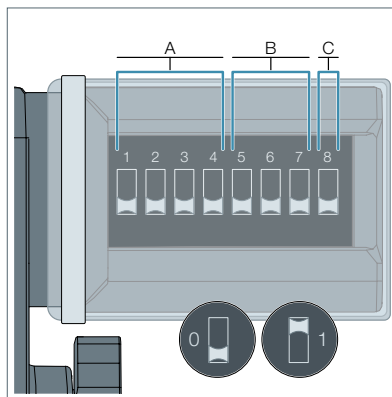
With its hygiene concept, Viega offers the ideal solution for maintaining potable water quality in buildings where interruptions in use occur (e.g. schools or hotels) in the form of looped-through line and circular installations combined with electronic flush plates. If the WC is not flushed for a selected period, the electronic control in the flush plate detects that no water has been removed and actuates a flush. This prevents stagnation and supports proper operation.

- Configurable time intervals: 1 h, 12 h, 24 h, 72 h, 168 h.
- Configurable flush volumes: 3 l, 7.5 l.

The parameters are set using the DIP switch of the electronic drive unit, see Fig. 74.

Setting options

The electronic accessory set (model 8655.11), combined with an electronic flush plate, is required for the electronic flush actuation. The motor unit is placed on the mechanical block of the site protection plate. In addition, the flush volumes and the Viega Hygiene function are set on the drive unit.



- A Flush volume setting
- B Viega Hygiene function interval
- C Setting the flush volume of the Viega Hygiene function
- 0 DIP switch position: OFF
- 1 DIP switch position: ON

Fig. 74: DIP switch configuration, electronic accessory set (model 8655.11)



The smallest possible flush volume must be set at the drain valve in the cistern.



For information on the electrical connection, see page 71.

For more product information, see „Accessory set electronic“ on page 171.

Sample installations

The WC flush plates can be combined with various flush actuations. The following flush actuations can be combined, for example:

Example 1: Manual WC flush plate Visign for More 200 combined with electronic WC remote flush actuation Visign for More 200

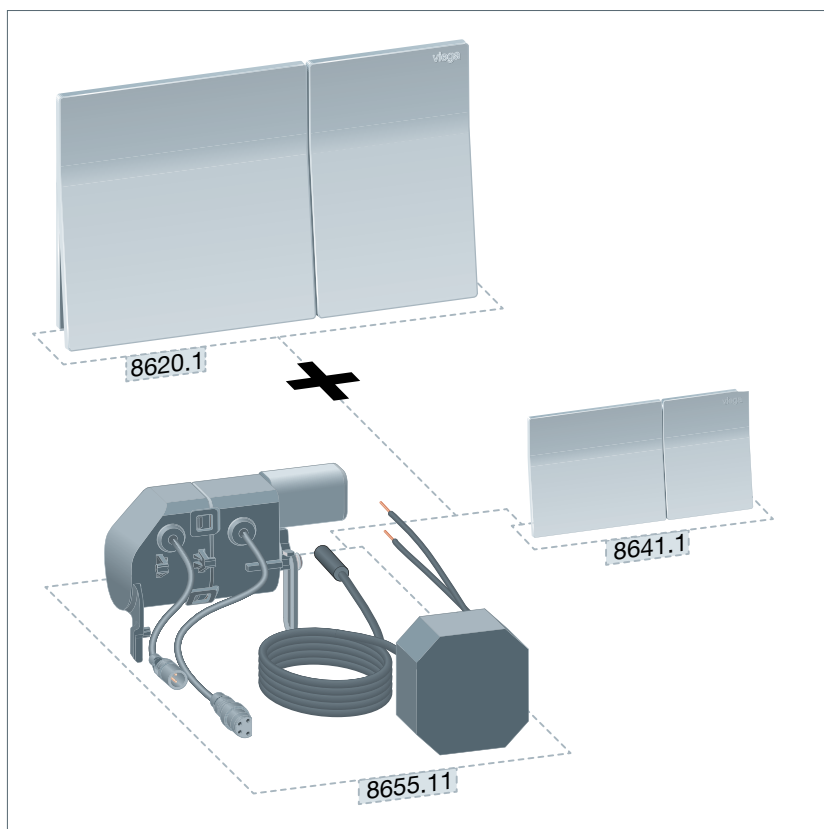


Fig. 75: WC flush plate Visign for More 200 with manual flush actuation combined with WC remote flush actuation Visign for More 200

Quantity	Name	Model	Art. no.
1	WC flush plate Visign for More 200	8620.1	773 571
1	WC remote flush actuation Visign for More 200	8641.1	773 090
1	Accessory set electronic	8655.11	783 952

Tab. 34: Parts list for sample installation 1 for flush actuation

Example 2: Electronic WC flush plate Visign for More 201 combined with electronic WC remote flush actuation Visign for More 200

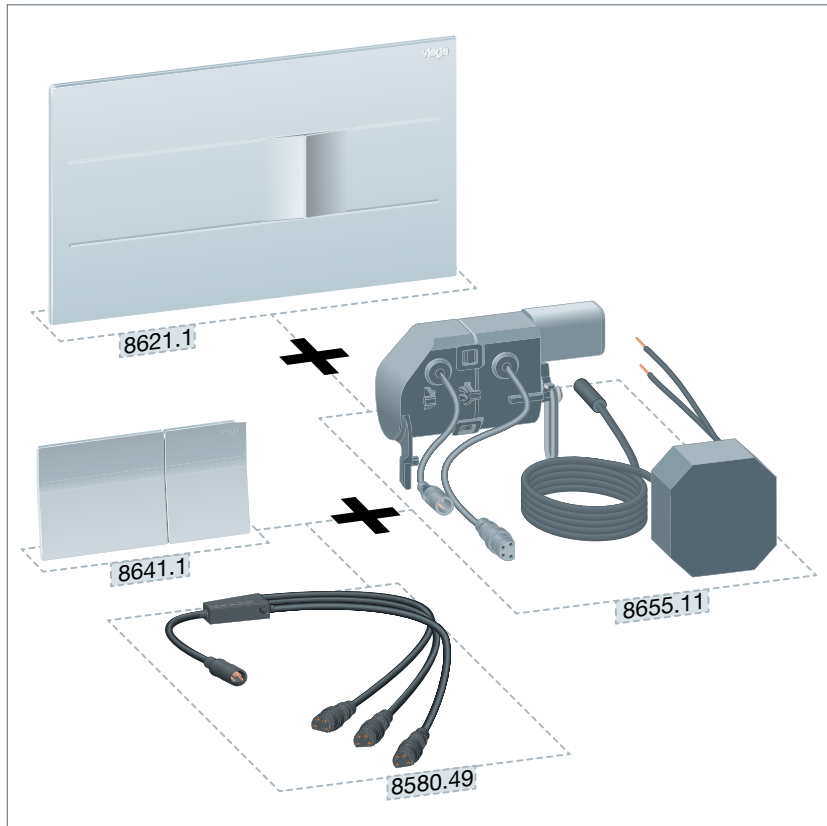


Fig. 76: WC flush plate Visign for More 201 with electronic flush actuation combined with WC remote flush actuation Visign for More 200

Quantity	Name	Model	Art. no.
1	WC flush plate Visign for More 201	8621.1	773 502
1	WC remote flush actuation Visign for More 200	8641.1	773 090
1	Accessory set electronic	8655.11	783 952
1	Extension cable adapter	8580.49	787 691

Tab. 35: Parts list for sample installation 2 for flush actuation

Example 3: Electronic WC flush plate Visign for More 202 combined with electronic WC remote flush actuation Visign for More 200 and an on-site radio controlled actuation (e.g. from Hewi)

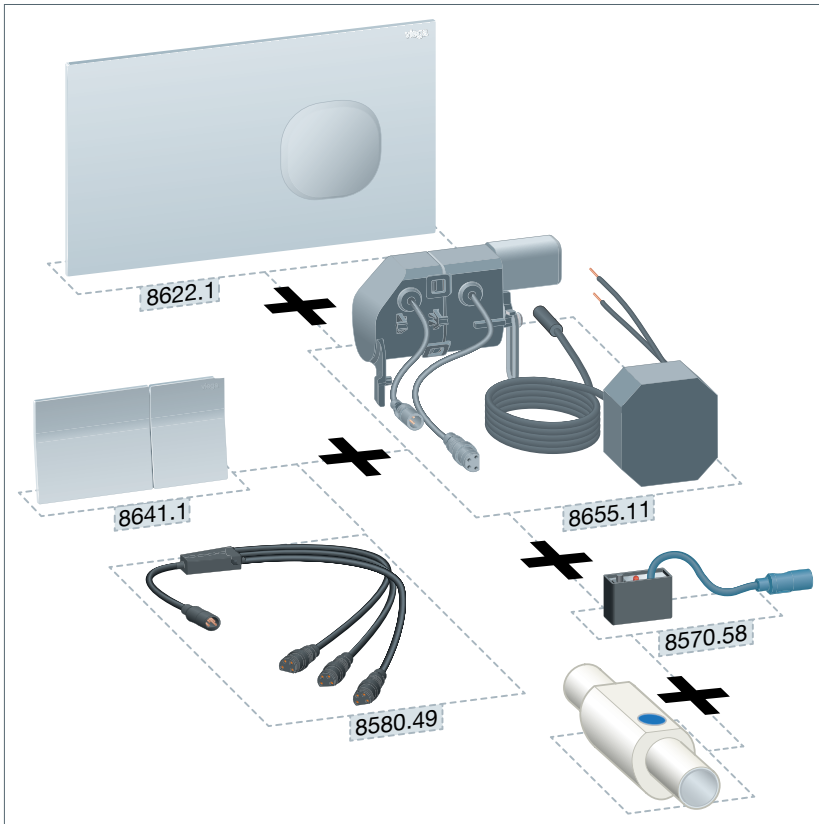


Fig. 77: WC flush plate Visign for More 202 with electronic flush actuation combined with a radio controlled actuation (e.g. from Hewi)

Quantity	Name	Model	Art. no.
1	WC flush plate Visign for More 202	8622.1	773 458
1	WC remote flush actuation Visign for More 200	8641.1	773 090
1	Radio receiver	8570.58	786 038
1	Accessory set electronic	8655.11	783 952
1	Extension cable adapter	8580.49	787 691
1	Radio controlled on-site (e.g. from Hewi)		

Tab. 36: Parts list for sample installation 3 for flush actuation

Sample installation with LED illuminated frame

The electronic WC flush plates Visign for More 201 (model 8621.1) and Visign for More 204 (model 8624.1) can be installed in the installation frame with LED lighting. The LED in the installation frame lights up when approached to provide orientation.

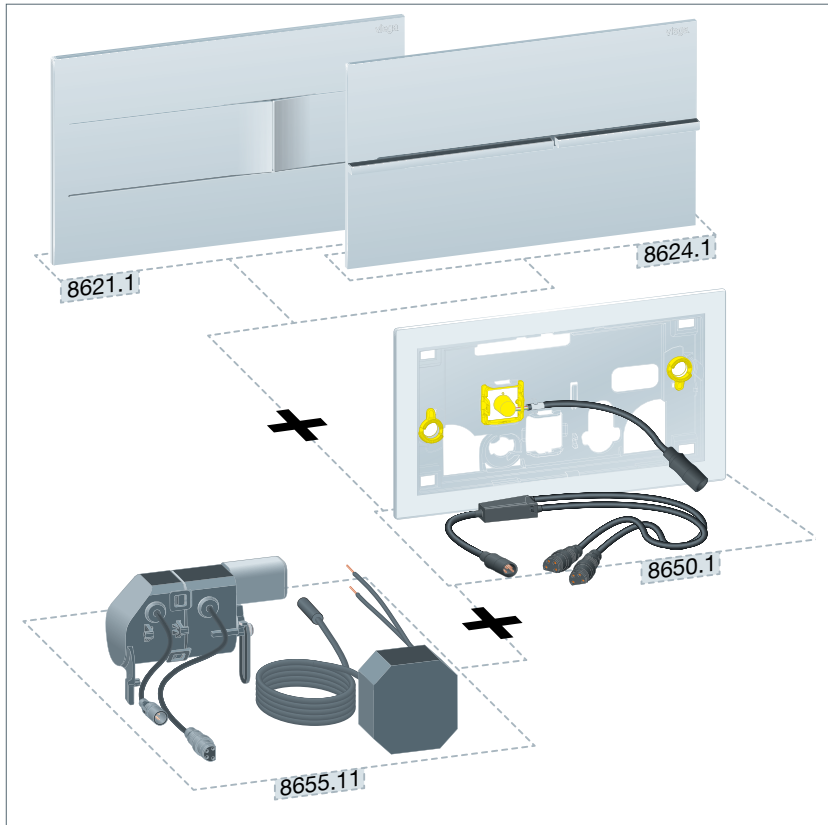


Fig. 78: Combination options – electronic flush plates with LED illuminated frame

Quantity	Name	Model	Art. no.
1	WC flush plate Visign for More 201	8621.1	773 502
	WC flush plate Visign for More 204	8624.1	773 663
1	Accessory set electronic	8655.11	783 952
1	WC installation frame with LED lighting, incl. extension cable adapter	8650.1	775 803

Tab. 37: Parts list for sample installation with LED installation frame

Radio receiver/external flush actuation with manual flush plates

External flush actuation: Prevista concealed cisterns can also be actuated externally (e.g. via closing contact or photoelectric barriers). A suitable connection cable (model 8570.55) is available for all Viega concealed cisterns. To install the connection cable, the electronic accessory set (model 8655.11) and a manual WC flush plate are required.

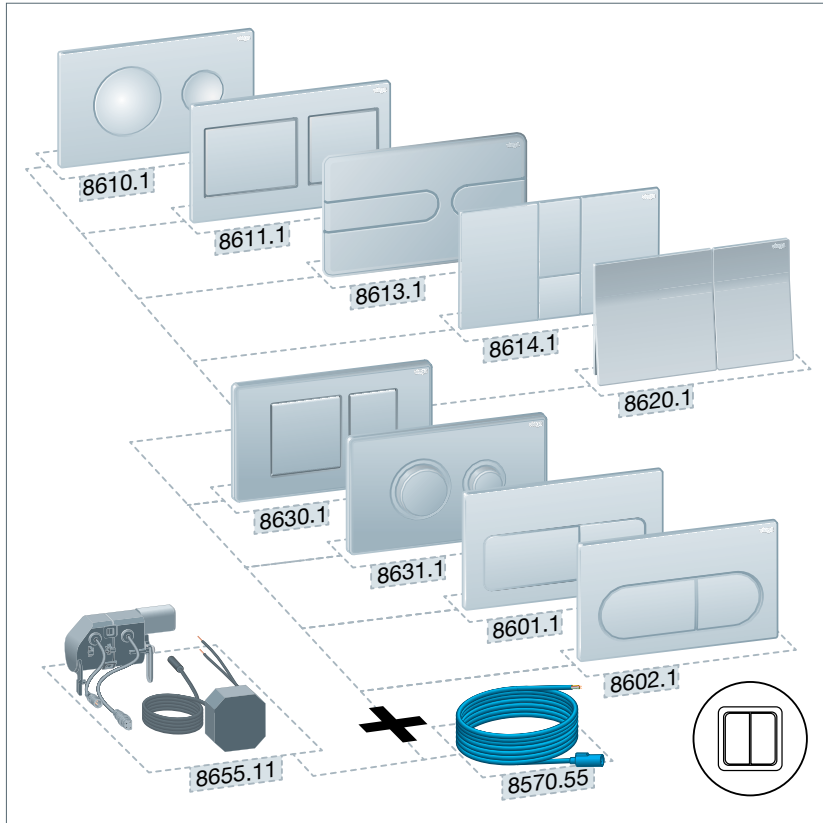


Fig. 79: External flush actuation with manual WC flush plates

Radio receiver: Prevista concealed cisterns can also be actuated by flushing, e.g. on a support hinged handle. A suitable radio receiver is available for all Prevista concealed cisterns (model 8570.58). To install the radio receiver, the electronic accessory set (model 8655.11) and a manual WC flush plate are required.

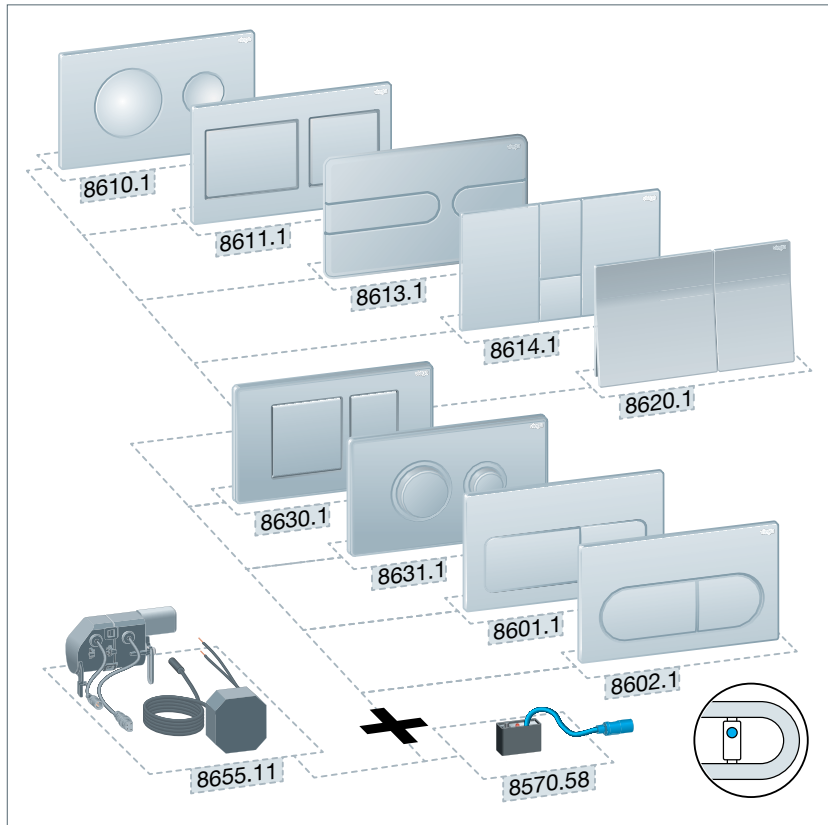


Fig. 80: Radio receiver with manual WC flush plates

Radio receiver/external flush actuation with electronic flush plates

Radio receiver: In combination with an electronic flush plate, the extension cable adapter (model 8580.49) and the radio receiver (model 8570.58), incl. on-site radio controlled actuation, are required in addition to the electronic accessory set (model 8655.11).

External flush actuation: in combination with an electronic flush plate, the extension cable adapter (model 8580.49) and the connection cable (model 8570.55), incl. on-site commercially available buttons with closing function, are required in addition to the electronic accessory set (model 8655.11).

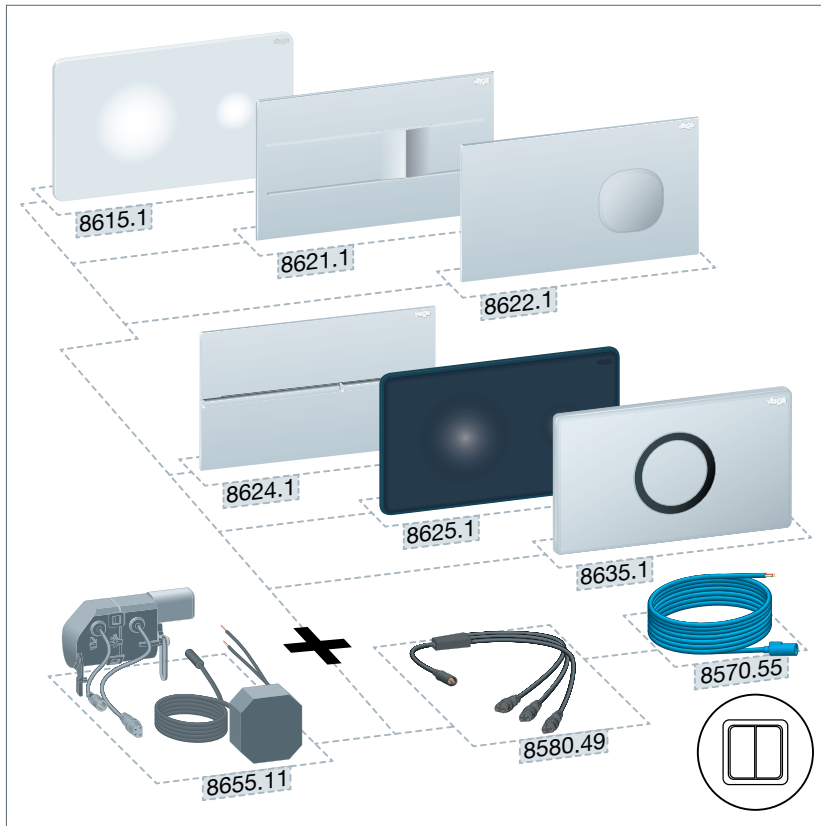


Fig. 81: External flush actuation with electronic WC flush plates

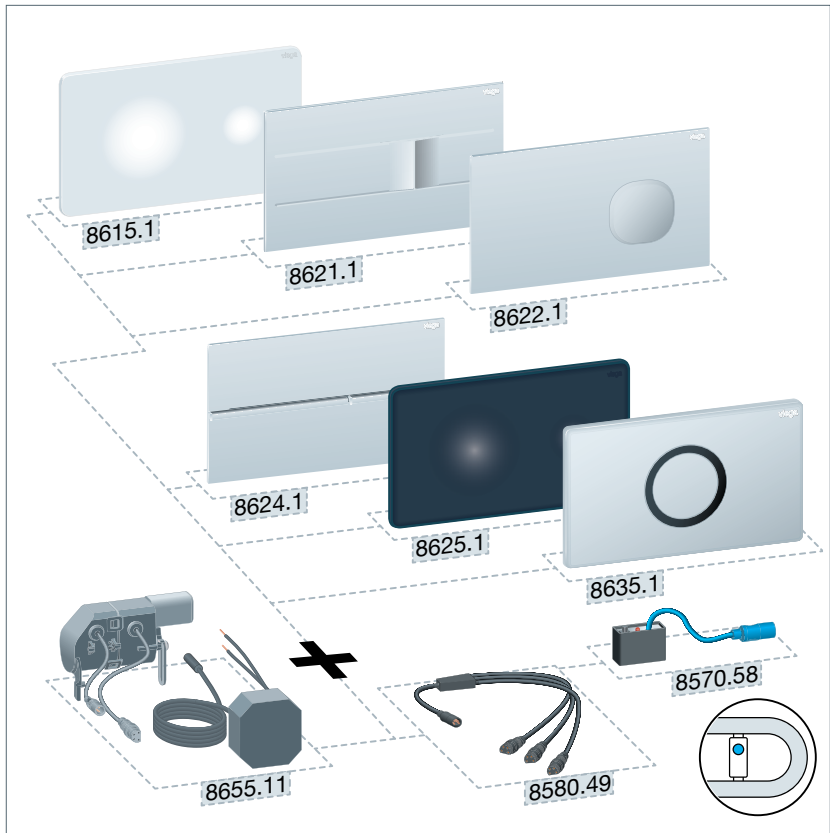


Fig. 82: Radio receiver with electronic WC flush plates

Product range overview

Product name	Model	Material: plastic	Material: metal	Material: glass	Actuation from the front	Actuation from the top	Manual flush actuation	Electronic flush actuation	Touchless flush actuation	Screwable	Hygiene function
Visign for Style 20	8610.1	✓			✓	✓	✓				
Visign for Style 21	8611.1	✓			✓	✓	✓				
Visign for Style 23	8613.1	✓			✓	✓	✓				
Visign for Style 24	8614.1	✓			✓	✓	✓				
Visign for Style 25 sensitive	8615.1	✓			✓	✓		✓	✓		✓
Visign for More 200	8620.1		✓	✓	✓		✓				
Visign for More 201	8621.1		✓		✓	✓		✓			✓
Visign for More 202	8622.1		✓		✓			✓			✓
Visign for More 204	8624.1		✓		✓	✓		✓			✓
Visign for More 205 sensitive	8625.1			✓	✓			✓	✓		✓
Visign for Public 10	8630.1		✓		✓	✓	✓			✓	
Visign for Public 11	8631.1		✓		✓	✓	✓			✓	
Visign for Public 12	8635.1		✓		✓			✓	✓	✓	✓

Tab. 38: Range overview of WC flush plates

For more product information, see „WC flush plates“ on page 161.

Flush plates for urinals



Catalogue group S4



System description

The urinal flush plates for Prevista can be actuated manually or touchless, depending on the model. On models with touchless actuation, the range, flushing duration, hygiene flushing and „cover in front of sensor“ parameters can be set using the DIP switches on the rear of the flush plate (see page 90).

To make it easier to identify a suitable flush plate, Viega offers a flush plate configurator online. For more information, see „Viega flush plate configurator“ on page 189.

Combination overview for urinals

Combination overview for urinal elements with flush plates

Urinal element	Urinal flush plate (model)					
	Visign for Style 20 (8610.2)	Visign for Style 21 (8611.2)	Visign for Style 23 (8613.2)	Visign for More 200 (8620.2)	Visign for Public 11 (8631.2)	Visign for Public 12 (8635.2)
Dry						
8560.32	✓	✓	✓	✓ ¹⁾	✓	✓ ¹⁾
8560	✓	✓	✓	✓ ¹⁾	✓	✓ ¹⁾
8560.31						
Pure						
8566	✓	✓	✓	✓	✓	✓

¹⁾ Battery compartment can be used (model 8580.33)

Tab. 39: Combination overview for urinal elements with flush plates

Combination overview for tile-level urinal installation frame

Urinal element	Urinal flush plate (model)					
	Visign for Style 20 (8610.2)	Visign for Style 21 (8611.2)	Visign for Style 23 (8613.2)	Visign for More 200 (8620.2)	Visign for Public 11 (8631.2)	Visign for Public 12 (8635.2)
Dry						
8560.32	✓	✓		✓		
8560	✓	✓		✓		
8560.31						
Pure						
8566						

Tab. 40: Combination overview of tile-level urinal installation frame, model 8651.2

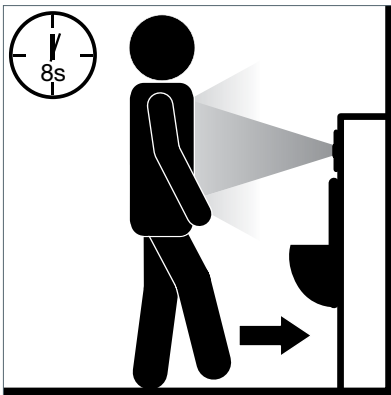
For more product information, see „Urinal flush plates“ on page 180

Infrared flush actuations

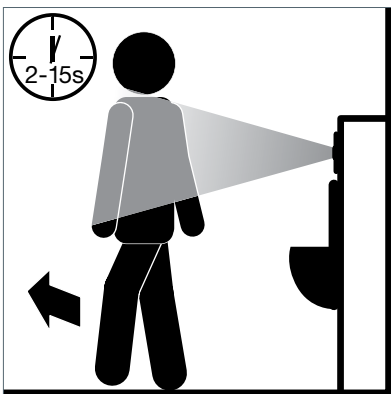
Touchless flush actuations for urinals offer a high degree of hygiene during use – and are therefore often the first choice in public sanitary facilities. The automatic flush actuation electronic function from Viega also allows hygiene flushings to be set where interruptions in use occur. These flush actuations also reduce water consumption and therefore protect the environment. There are two different versions available.

Touchless infrared flush actuation is particularly useful for public and semi-public areas.

This version combines comfort with hygiene: a sensor behind the cover plate detects use without any contact and automatically trips flushing. The raising of a urinal cover does not lead to malfunction. The flushing process is actuated only when the user moves away from the urinal. Flush volume and sensing range can be adjusted to suit the application. The infrared flush plates are suitable for the Prevista Dry urinal elements, models 8560.32 and 8560, and for the Prevista Pure urinal water path, model 8566.



In order to actuate a flush, a person must be within the detection area of the infrared sensor for at least 8 seconds.



If a person leaves the detection area, a flush is automatically actuated. The flush duration is between 2 and 15 seconds, depending on the setting.



A flushing can also be manually actuated by placing a hand briefly in front of the sensor.

The IR eye is highly sensitive. Strongly reflective or black fabrics can cause mis-timed flushings.

Setting options

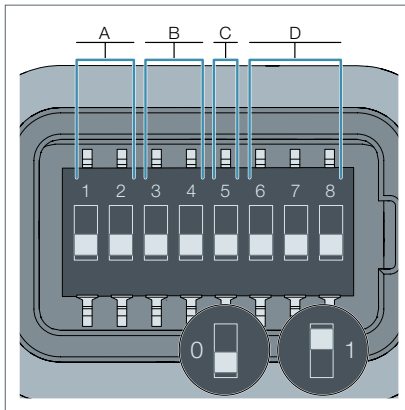


Fig. 83: DIP switch configuration, rear, on urinal flush plates

- A Range
- B Flush duration
- C "Lid in front of sensor"
- D Hygiene flushing
- 0 DIP switch position: OFF
- 1 DIP switch position: ON



You can find more information on the setting options online in the instructions for use for the urinal flush plates (see QR code).

Electrical connection

The electrical connection is made using a feedthrough into the plastic casing of the water path. Both the terminals and the mains adapter can be positioned within the casing. An optional battery compartment (model 8580.33) can also be used. This battery compartment can also be positioned inside the casing. The electrical connection must be made by a specialist tradesman.

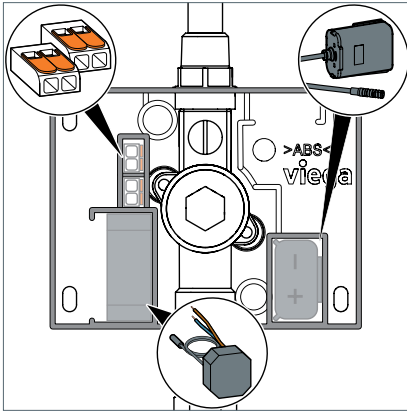


Fig. 84: Position diagram (view into concealed box)

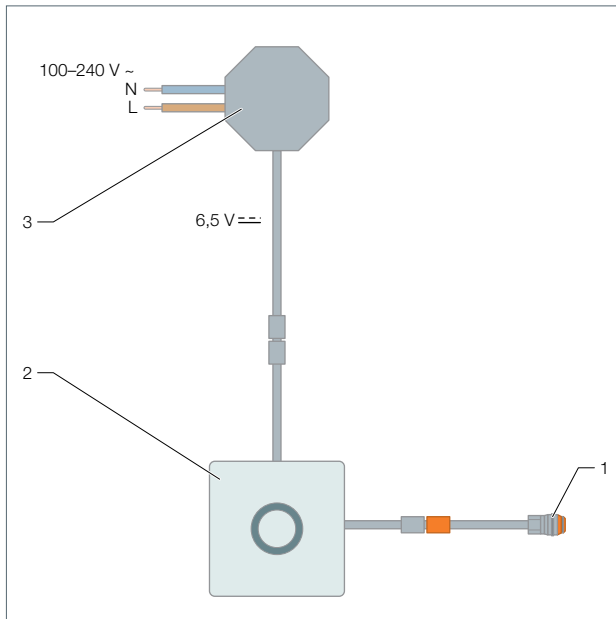


Fig. 85: Circuit diagram of the electrical connection

- 1 Magnet valve
- 2 Urinal flush plate for Prevista
- 3 Mains adapter

Product range overview

Product name	Model	Material: plastic	Material: metal	Material: glass	Material: wood	Manual flush actuation	Touchless infrared flush actuation	Screwable
Visign for Style 20	8610.2	✓				✓		
Visign for Style 21	8611.2	✓				✓		
Visign for Style 23	8613.2	✓				✓		
Visign for More 200 Infrared flush actuation	8620.2	✓		✓	✓		✓	
Visign for Public 11	8631.2		✓			✓		✓
Visign for Public 12	8635.2		✓				✓	✓

Tab. 41: Range overview of urinal flush plates

For more product information, see „Urinal flush plates“ on page 180.

Processing and mounting examples

Dry construction for Prevista Dry/Prevista Dry Plus

Basics

The Prevista cladding consists of an IFGP cladding panel. IFGP means:

- Gypsum plasterboard
- Fire protection (F30)
- Impregnated (core and plasterboard impregnated to protect against moisture)

Thanks to an inserted fibre glass reinforcement, the extremely sturdy gypsum plasterboard also achieves a high flexural strength.

Cutting and drilling

Prevista IFGP cladding panels for WC mounting (models 8570.40 and 8570.41) are precisely pre-fabricated for connecting inlet and drain. Only the opening in the flush plate and the cladding for intermediate spaces, room partition and room-height installations have to be cut to size on-site.

The good fit of the IFGP cladding panels on the profiles of the elements and brackets, as well as the 650 mm distance between axes rule, means that single-ply cladding with an 18 mm panel thickness is sufficient with Prevista. Cladding panels for all other elements are drilled or cut on-site.

Cladding panels in lengths of 130 cm and 200 cm and 60 cm in width are available (models 8570.42 and 8570.43).

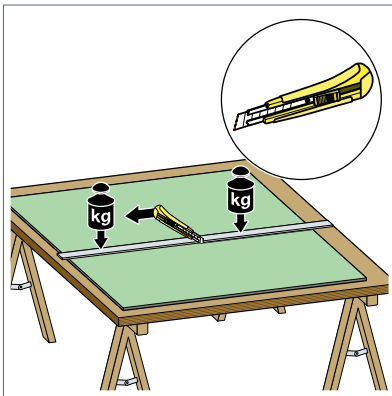


Fig. 86: Use a plasterboard blade to cut into the board at the front.

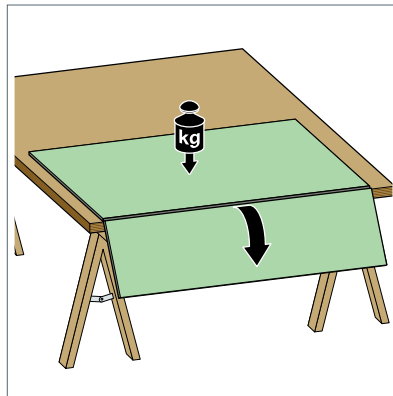


Fig. 87: Break the plasterboard in the cut.

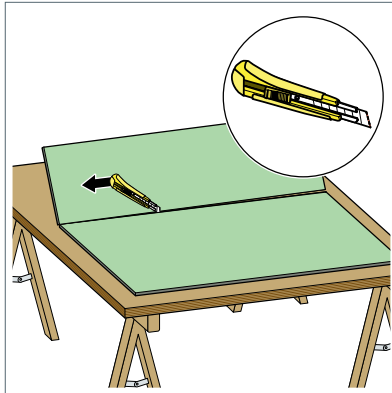


Fig. 88: Cut through the plasterboard at the back.

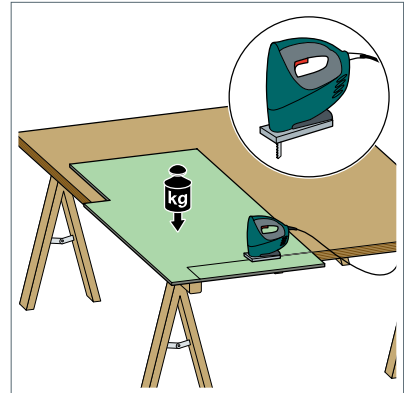


Fig. 89: Particularly clean cuts are achieved with a jigsaw.

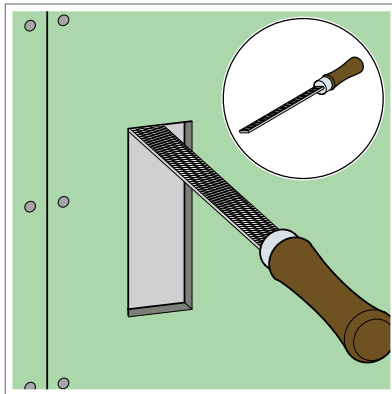


Fig. 90: Cut out the installation recesses using a file or a jigsaw.

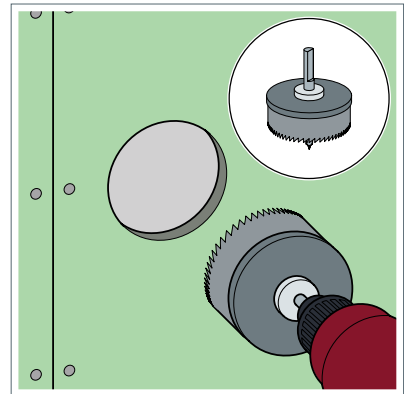


Fig. 91: Make the recesses with a hollow wall box cutter, or with a jigsaw for larger diameters.

Cladding panels as tile substructure

- Treat the cutting edges of the IFGP cladding panel with primer.
- Fasten the cladding panels to the element with a distance between screws of approx. 18 cm using self-drilling screws. Sink the screws, they must not protrude out of the cladding panel.

There should be a gap of approx. 1 cm between the IFGP cladding panels and wall or ceiling. Cladding panels are fixed on support brackets/connecting brackets and other system parts in the same way. The wall and ceiling connection is purged with an elastic, antifungal joint material.

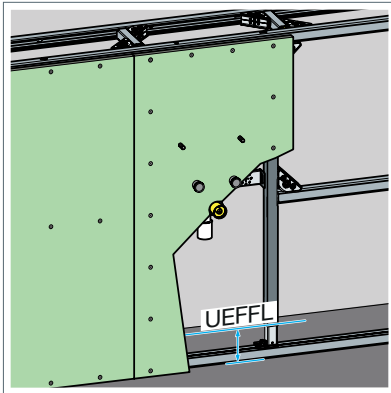


Fig. 92: Cladding panel on a washbasin element (UEFFL = upper edge of finished floor)

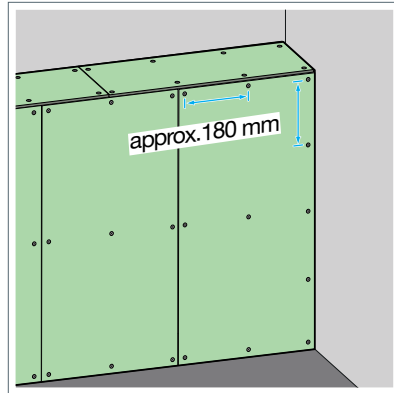


Fig. 93: Distance between screws 180 mm

Cut the cover plate to the required depth, position flush with the front, right and left of the front panel and fix.

The scores in the joint area of the IFGP cladding panels and the screw heads have to be filled and sealed.

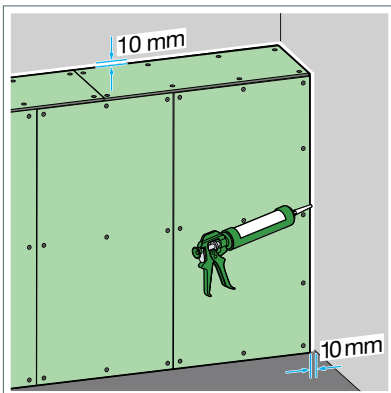


Fig. 94: Sealing the wall connection with elastic antifungal joint sealing compound

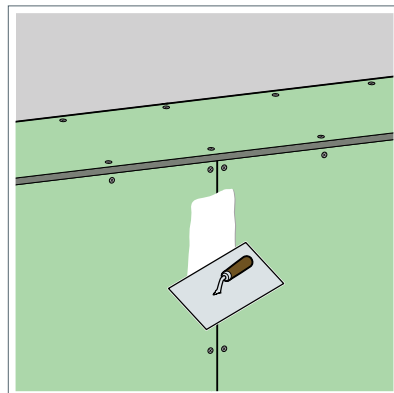


Fig. 95: Trowelling off the remaining intermediate spaces (approx. 300 g/m²)

Attaching cladding panels to untiled walls

Essentially, IFGP cladding panels are processed following the assembly steps described above. To prevent the drywall screws appearing through the plaster or wall covering and to make sure the wall covering or plaster is properly applied, the joint areas and screw heads must be sealed flush with the surface using filler (e.g. Viega filler, model 8480). If these conditions are met, the abutting edges do not need to be treated with primer. To be able to introduce sufficient filler into the plasterboard joints, all cutting edges must be chamfered to half the panel thickness at 45° before fixing. For structural and hygiene reasons, sanitary objects are allowed to be installed only on tiled surfaces.

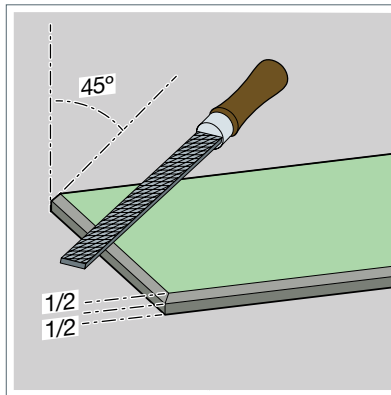


Fig. 96: Chamfer at 45°

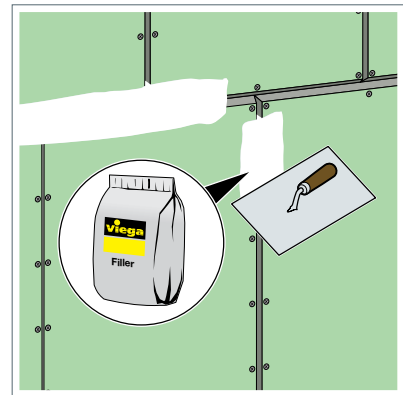


Fig. 97: Seal all joints and screwheads flush with the surface using filler (e.g. Viega filler, model 8480). Joint tape is then not required.

IFGP cladding panels

Plasterboard cladding panels impregnated to prevent absorption of humidity must be used for rooms with wet loads, e.g. privately used bathrooms. Viega supplies the following versions of Prevista plasterboard cladding panels:

- Without recess: model 8570.42 & model 8570.43 – 1300 x 600 x 18 mm and 2000 x 600 x 18 mm
- Model 8570.40 with recess for Prevista Dry WC elements, models 8521, 8522 and 8530 – 1300 x 600 x 18 mm
- Model 8570.41 with recess for Prevista Dry WC element model 8533 – 1300 x 600 x 18 mm

Piping should always be installed with the Prevista Dry Plus pipe holder set, model 8417, to prevent the transmission of sounds from the installation.

Viega pre-wall elements and modules are delivered with sound-insulated fixing elements for wall plates that are to be used as a matter of course.

If Viega installation walls are to be constructed with tileable surfaces according to quality level 1, leaflet 2 of the Bundesverband der Gipsindustrie (Federal association of the gypsum industry), filler with a glass fibre component should be used. Viega filler, model 8480.

Joints towards the structure should be sealed with an elastic antifungal joint material.

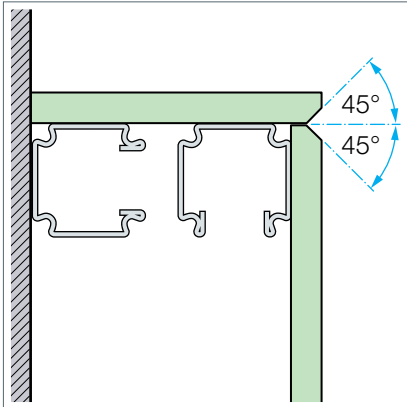
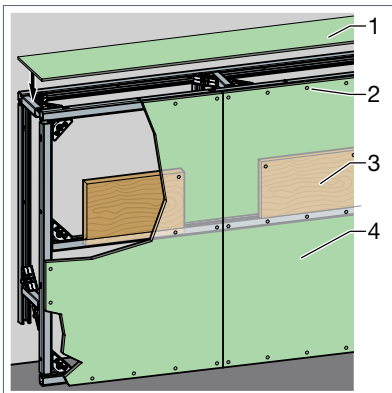


Fig. 98: Chamfer edges at 45°.

Fixing small loads with plywood board



- 1 IFGP gypsum cladding panel
- 2 Self-drilling screws
- 3 Plywood board, model 8570.33
- 4 IFGP gypsum cladding panel

Fig. 99: Plywood board as fixing base behind IFGP cladding panels



NOTE!

This fixing method is suitable only for small loads such as towel rails, toilet paper holders and so on.

Quality levels in dry construction

Quality level 1 (Q 1)

Q1 corresponds to the simplest sealing for surfaces that have to meet optical (decorative) requirements. This is base sealing. This quality level 1 is suitable for applying tiles or other ceramic coverings, for example.

Quality level 2 (Q 2)

Sealing to Q 2 corresponds to the former standard sealing. After base sealing (Q 1), the joints, screw heads, inside and outside corners and connections are equalised until a continuous transition to the panel surface is achieved. To achieve quality level Q 2, the required drying times must be respected.

Quality level 2 is suitable for:

- Wall coverings with medium and coarse structure, e.g. ingrain wall coverings
- Matt, filler paints/coatings (e.g. emulsion paints) that are applied manually – using lambskin or texture roller
- Final coat from a grain size of 1 mm

Quality level 3 (Q 3)

Q 3 is a special sealing for use when the primed surface has to meet increased requirements. Accordingly, further operations are required in addition to the basic and standard sealing steps (Q 1 and Q 2). To achieve quality level 3, the board surface has to be sealed and the sharp edges removed using a smoothing trowel to plug the voids. The required drying times must be respected between the sealing operations.

Quality level Q 3 is suitable for:

- Finely structured paintwork and coatings
- Final coats with graining of up to 1 mm

Quality level 4 (Q 4)

Q 4 satisfies the highest requirements for the sealed surface. The entire surface needs to be completely sealed or trimmed. To achieve quality level Q 4, the required drying times must be respected.

Quality level 4 is suitable for:

- Smooth/structured wall coverings with gloss, e.g. metal or vinyl wall coverings
- Glaze or paintwork/coatings up to medium gloss
- Stucco lustro or other high-grade smoothing techniques

Sealing

The building regulations of the Federal states make it mandatory to protect buildings and components against moisture penetration. Penetrations in the cladding for supply and wastewater pipes and connections for fittings must be provided with special sealing to suit the application (water exposure/no water exposure) (Fig. 100).

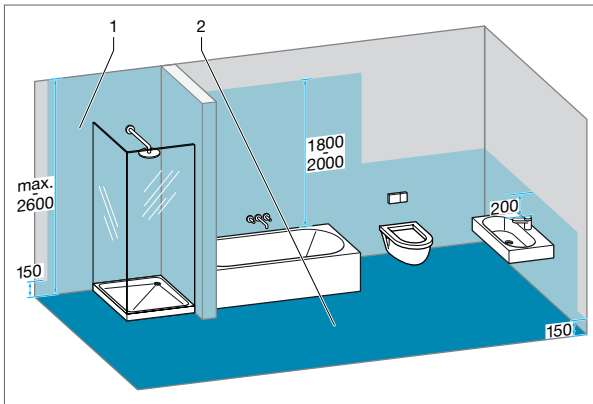


Fig. 100: Illustration of surfaces not exposed to water (1) and surfaces exposed to water (2)

Area 1:

Surfaces not exposed to water – applies to washbasin, WC, bidet and urinal. In this area, penetrations for piping and fittings can simply be sealed as described in „Sealing floor breakthroughs and cutting edges“ on page 101.

Area 2:

Surfaces exposed to water – applies to shower trays and bathtubs in domestic settings. Surfaces exposed to water are required to be surface-sealed against non-pressing water. In addition, corner, wall, floor and ceiling connections must be sealed by the tiler with appropriate sealing tape (PCI or Rigips) during the course of the surface sealing work, see Fig. 101. Seal penetrations for piping and fittings in accordance with section „Sealing floor breakthroughs and cutting edges“ on page 101.

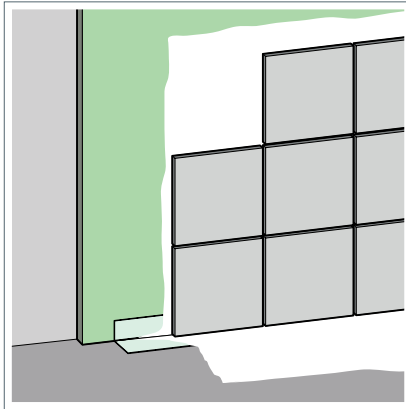


Fig. 101: Sealing a floor joint with sealing tape

Area 3:

Surfaces heavily exposed to water – public bath and shower areas, e.g. swimming pools, gymnasiums, hospitals as well as facilities that are constantly cleaned using high-pressure cleaners must be given special consideration over and above the domestic setting in area 2. The surfaces must be sealed in the same way as those in area 2. In area 3, however, IFGP cladding panels cannot be used.

As an alternative, moisture-insensitive fibre cement or calcium silicate building panels (Viega cladding panels, model 8570.44) and XPS hard foam panels can be used. If calcium silicate building panels are used, a filler for surface qualities up to Q4 must be used.

Sealing floor breakthroughs and cutting edges

In the case of penetrations, irrigation and drainage connections, for example, treat the cutting edges of the floor breakthroughs with primer (PCI, Rigips, Nr. Sicher).

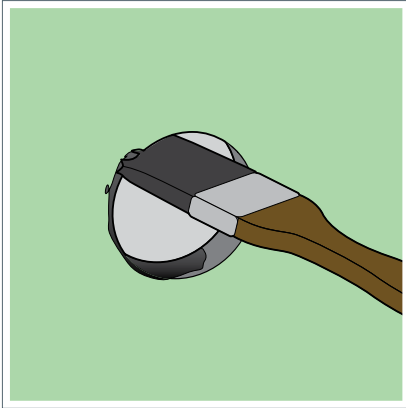


Fig. 102: Sealing cutting edges with primer

The irrigation connections must be sealed using the supplied sealing flange. To seal irrigation connections, slip over the sealing flanges. The building is sealed in accordance with the information issued by the manufacturer concerned.

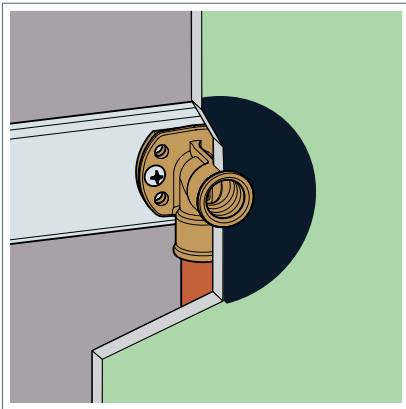


Fig. 103: Sealing by sealing flange

The irrigation connections must be extended up to the front edge of the finished wall. The remaining annular gap is purged all-round with an elastic, antifungal joint material.

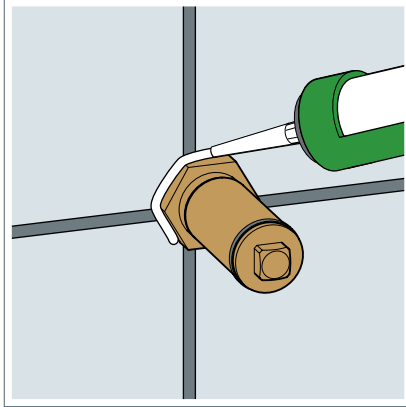


Fig. 104: Sealing the remaining annular gap at irrigation connections

Joints at shower trays and bathtubs, as well as on WC, bidet and urinal, must be created in accordance with the information from the sealing system manufacturer.



Fig. 105: Top edge of a shower tray

Wall plate for Prevista

See „Wall plate for Prevista“ on page 185.



NOTE!

Only for adapters with Prevista plug-in seat.

Sealing domestic bathrooms

Simple plasterboard cladding panels are not suitable for domestic bathrooms. Instead, impregnated plasterboard cladding panels must be used.

For processing (see Fig. 201):

- Seal fitting openings and joints in shower and bathtub areas with special care. This allows the installer to create an optimum interface in consultation with the tiler.
- Prevent moisture from penetrating components by using surface seals (6) in accordance with the information from the sealing system manufacturer
- Seal fittings WC and urinal flush plates (1, 2, 7, 8)
- Seal component connections (3–5)

Proper sealing and using dry construction materials suitable for damp rooms stops humidity penetrating components and, consequently, prevents damage to buildings and installations. Implementation and compliance with these instructions is part of proper professional planning.

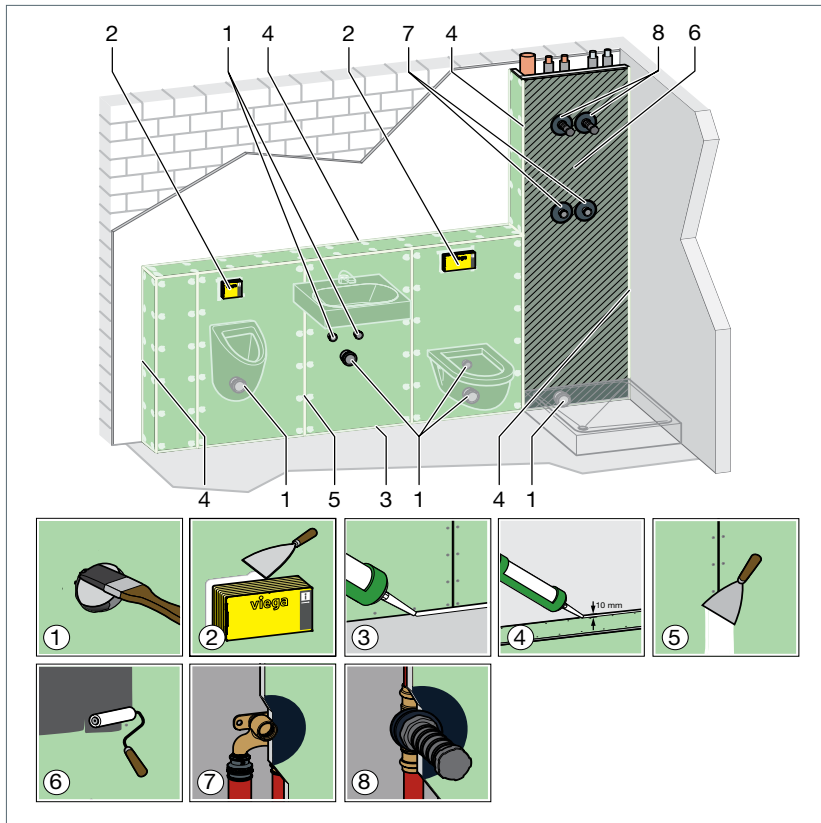


Fig. 106: Waterproofing of a pre-wall installation

Fixings

Stability of walls and floors

The following walls and floors are suitable for fixing the Prevista pre-wall system:

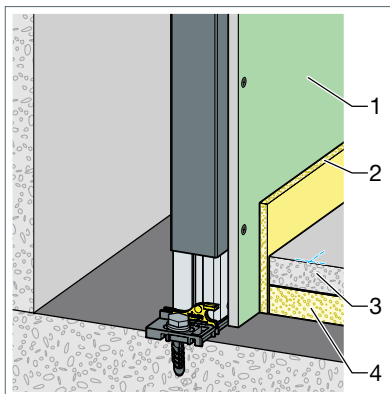
- Solid walls made of concrete, stone or timber frame
- Steel stud frames (lightweight construction walls) if produced in accordance with DIN 18 183. The substructure stud frame profiles must conform to DIN 18 182, part 1.
- All load-bearing floors made of concrete, asphalt, wood, etc.
- For fixing room partitions (self-supporting element): concrete floors

Floor mounting

The Prevista pre-wall system is mounted in new and old buildings in exactly the same way.

Floor mounting in new buildings

The bases are fastened to the unfinished floor. Footfall sound transmission is reliably inhibited by installing edge insulation strips and footfall sound insulation to prevent contact with the pre-wall/unfinished floor.



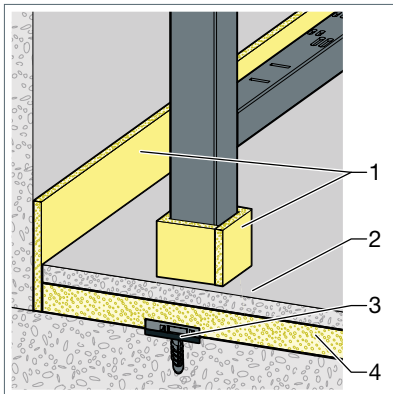
- 1 IFGP cladding panel
- 2 Edge insulation strip
- 3 Floating screed
- 4 Footfall sound and heat insulation

Fig. 107: Screed ends in front of the pre-wall: footfall sound transmission is prevented by avoiding contact with the screed

Floor mounting in old buildings

Since measures to prevent footfall sound transmission should also be taken in old buildings, Viega recommends

- removing the screed in the area from the floor mounting to the raw concrete floor,
- mounting the elements as per the floor mounting in new buildings,
- placing edge insulation strips all around the base and
- introducing the screen construction again retrospectively.



- 1 Edge insulation strip
- 2 Floating screed
- 3 Base insulation
- 4 Footfall sound and heat insulation

Fig. 108: Screed pulled to behind the pre-wall: footfall sound transmission is prevented by insulating the bases

Floor mounting in old/new buildings

If Prevista Dry elements are mounted over floor openings that are too wide, a surface can be created using a mounting rail (model 8001).

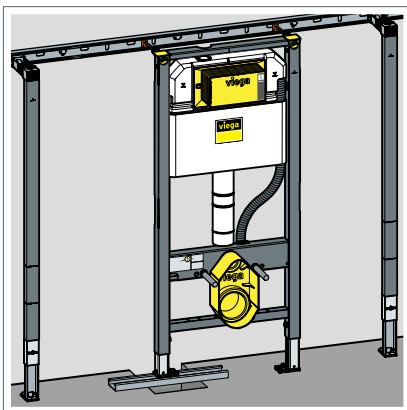


Fig. 109: Floor mounting over a small recess

Wall mounting for Prevista Dry/Prevista Dry Plus

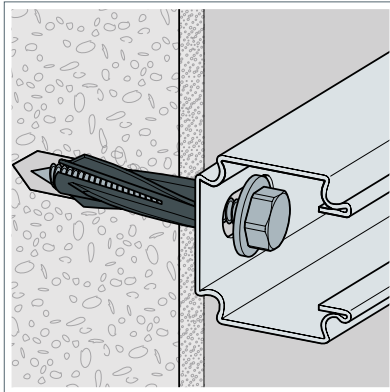
Essentially, the required fixing materials such as screws and dowels are supplied with all Prevista Dry elements and fixing sets. However, certain building materials call for special fixings. Various special fixings suitable for mounting the Prevista Dry Plus mounting rail, model 8401, required for certain materials are listed below.

For more information on the use of plywood board as a fixing base behind IFGP cladding panels, see Fig. 99.



The following fixings are shown with dowels from Fischer as an example. Suitable dowels from other manufacturers can also be used for fixing.

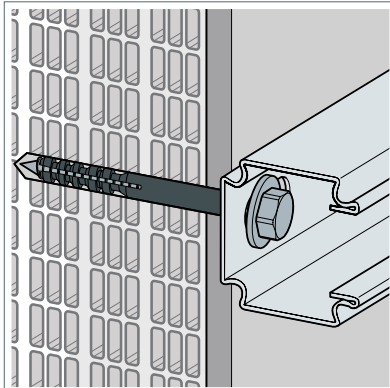
Aerated concrete



Fischer aerated concrete dowel GB 10 with Fischer safety screws 7 x 75

Fig. 110: Fixing the mounting rail with aerated concrete dowels

Vertical perforated brick

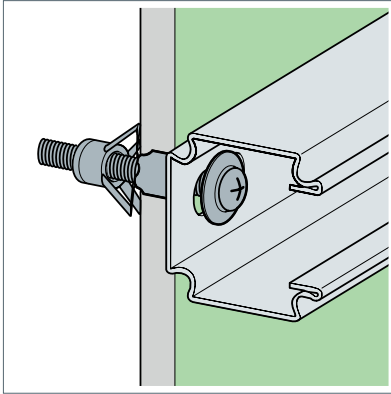


Fischer frame dowel S 10 H 100 RSS with Fischer safety screw 7 x 105

Fig. 111: Fixing the mounting rail with frame dowel

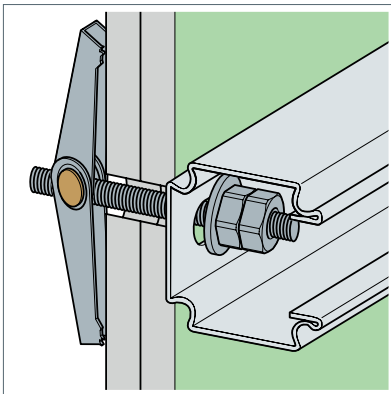
Cavity fixings

(plasterboard, masonry with cavities, etc.)



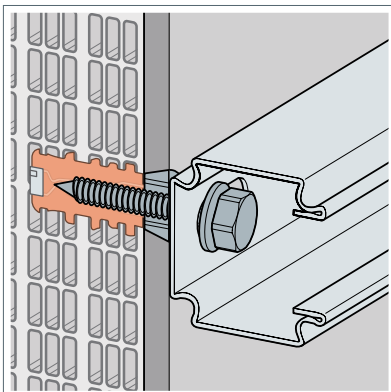
Fischer cavity metal dowel
HM 6 x 52 S

Fig. 112: Fixing the mounting rail with cavity metal dowels



Fischer toggle bolt KD 8

Fig. 113: Fixing the mounting rail with toggle bolts



Fischer injection mesh anchor
FIM-8N

Fig. 114: Fixing the mounting rail with injection mesh anchors

Mounting on existing drywall

Prevista Dry elements are mounted on lightweight construction walls (steel stud frames): the mounting rails, model 8401, are attached to the single, min. 20 mm or double 2 x 12.5 mm thick cladded stud frame by means of cavity fixings, such as Fischer cavity metal dowel HM 6 x 52 S or Fischer dowel KD 8. All CW profiles must be incorporated into the fixing solution.

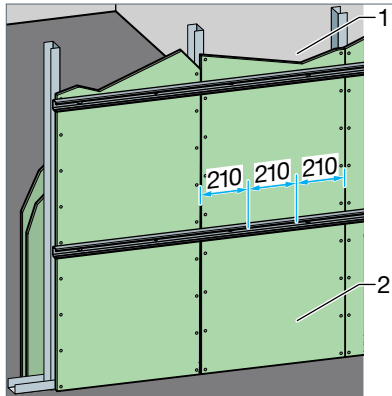


Fig. 115: Fixing the wall mounting rail on a steel stud frame

- 1 CW profile
- 2 Single cladding, min. 20 mm or double 2 x 12.5 mm thick

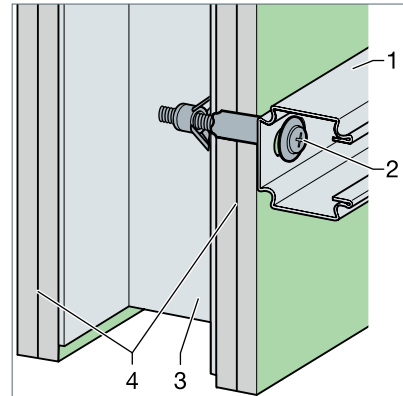


Fig. 116: Integrating the CW profile into the fixing

- 1 Mounting rail, model 8401
- 2 Cavity metal dowel
- 3 CW profile
- 4 Cladding

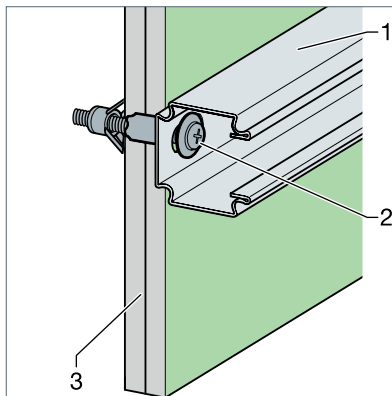


Fig. 117: Integration into the fixing (only on plasterboard surface)

- 1 Mounting rail, model 8401
- 2 Cavity metal dowel
- 3 Cladding

If there is no option to incorporate the CW profile into the fixing, plywood boards have to be mounted. The wall mounting rail is fixed to the plywood boards using the coach screws supplied.

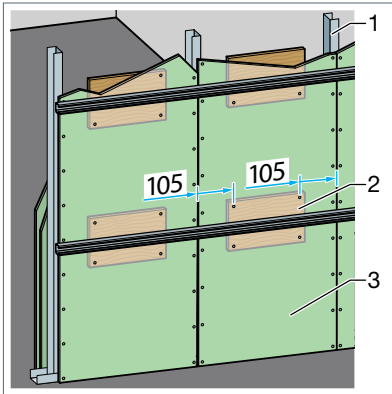


Fig. 118: Fixing the wall mounting rail to a steel stud frame with plywood boards

- 1 CW profile
- 2 Plywood board, model 8570.33
- 3 Single cladding, min. 20 mm or double 2 x 12.5 mm thick

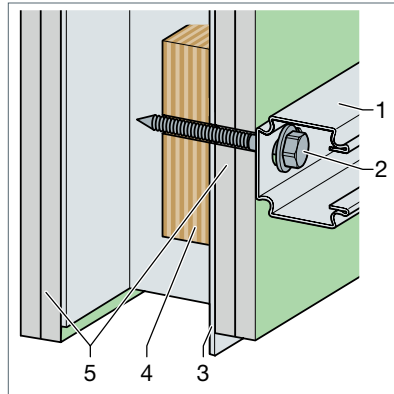


Fig. 119: Fixing with plywood board

- 1 Mounting rail, model 8401
- 2 Coach screw
- 3 CW profile
- 4 Plywood board, model 8570.33
- 5 Cladding

Barrier-free sanitary facilities

Regulations for the WC area

	Requirements in accordance with DIN 18040-1, barrier-free construction – Fundamentals for planning – Part 1: Buildings open to the public	Requirements in accordance with DIN 18040-2, barrier-free construction – Fundamentals for planning – Part 2
Minimum dimensions of the movement area	1500 x 1500 mm in front of the individual sanitary objects	<ul style="list-style-type: none"> ■ 1200 x 1200 mm in front of the individual sanitary objects ¹⁾ ■ 1500 x 1500 mm in front of the individual sanitary objects ²⁾ ■ Movement areas may overlap ¹⁾
WC	<ul style="list-style-type: none"> ■ Provide a clearance of 700 mm deep and 900 mm wide to the right and left. ■ Seat height (incl. seat) must be at 460–480 mm. ■ Back support: the user must be able to lean 550 mm behind the front edge of the WC basin. The WC lid is not suitable as a back support. 	<ul style="list-style-type: none"> ■ Distance to the wall 200 mm ¹⁾ ■ Provide a clearance of 700 mm deep and 900 mm wide to the right and left ²⁾ ■ Seat height (incl. seat) should be 460–480 mm; adjust the height if necessary ²⁾ ■ Lateral distance to the wall of 300 mm on one side ²⁾ ■ Back support: the user must be able to lean 550 mm behind the front edge of the WC ceramic. The WC lid is not suitable as a back support ²⁾.

¹⁾ barrier-free area

²⁾ area accessible by wheelchair

Tab. 42: Requirements for the WC area in accordance with DIN 18040 – minimum dimensions of movement area and WC

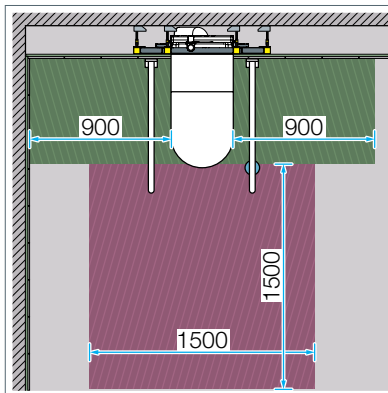


Fig. 120: Minimum dimensions of the WC movement area

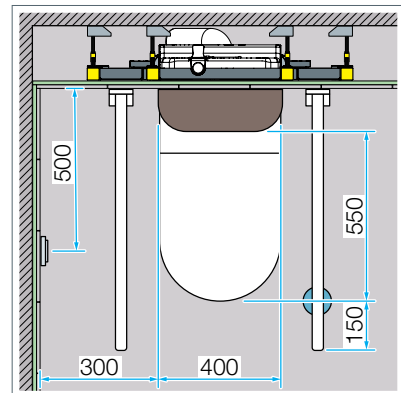


Fig. 121: Dimensions of the back support

	Requirements in accordance with DIN 18040-1, barrier-free construction – Fundamentals for planning – Part 1: Buildings open to the public	Requirements in accordance with DIN 18040-2, barrier-free construction – Fundamentals for planning – Part 2
Handles	<ul style="list-style-type: none"> ■ On each side of the WC, mount handles that can be folded up with little effort, protruding 150 mm over the front edge of the basin, at self-selected points. ■ The user must be able to reach the toilet paper holder without changing their sitting position. ■ The distance between the handles must be 650–700 mm, the top edge of the support hinged handles must be 280 mm above the height of the seat. ■ Support hinged handles must withstand a load of 1 kN (equivalent to 100 kg) at the outermost front point. 	Support hinged handles on each side; fold-up; protruding 150 mm over WC basin; 280 mm above seat height; point load 1 kN; distance between handles 650–700 mm ¹⁾
Flush actuation	<ul style="list-style-type: none"> ■ It must be possible to actuate the flush plate using the hand or arm without changing the sitting position. ■ If a touchless flush plate is used, unintentional actuation must be impossible. 	It must be possible to actuate the flush plate using the hand or arm without changing the sitting position. If a touchless flush plate is used, unintentional actuation must be impossible. ¹⁾

¹⁾ area accessible by wheelchair

Tab. 43: Requirements for the WC area in accordance with DIN 18040 – handles and flush actuation

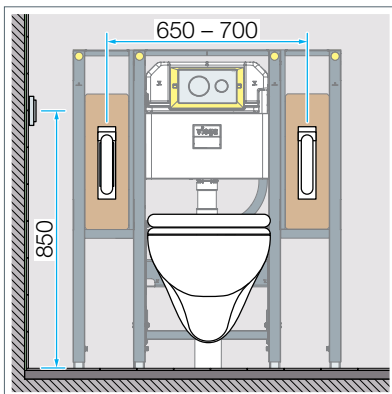


Fig. 122: Dimensions of support hinged handles – frontal view

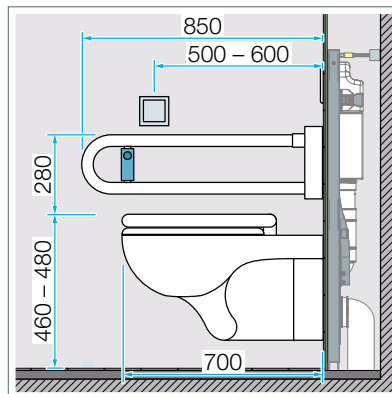


Fig. 123: Dimensions of support hinged handles – side view

Sample installations for barrier-free area

Sample installation 1

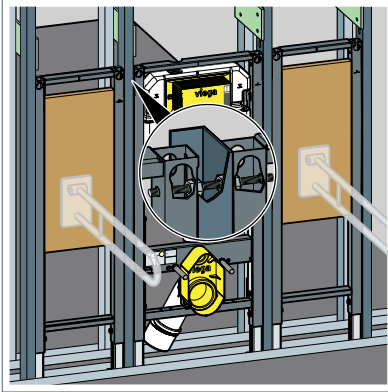


Fig. 124: WC sample installation for barrier-free area (on-site stud frame)

Quantity	Name	Model	Art. no.
1	Prevista Dry WC element, ceramic height individually adjustable	8521	771 997
2	Prevista Dry fixing element	8570.31	776 497
2	Support hinged handles on-site		

Tab. 44: WC sample installation for barrier-free area (on-site stud frame)

Sample installation 2

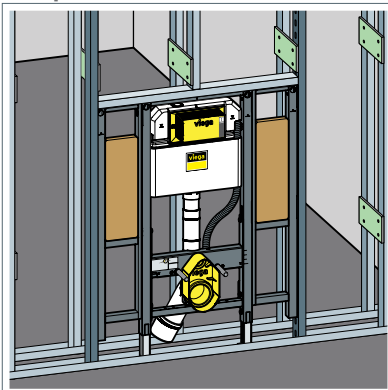


Fig. 125: WC sample installation for barrier-free area (on-site stud frame)

Quantity	Name	Model	Art. no.
1	Prevista Dry WC element	8874.9	793 074
2	Support hinged handles on-site		

Tab. 45: WC sample installation for barrier-free area (on-site stud frame)

Regulations for the washbasin area

	Requirements in accordance with DIN 18040-1, barrier-free construction – Fundamentals for planning – Part 1: Buildings open to the public	Requirements in accordance with DIN 18040-2, barrier-free construction – Fundamentals for planning – Part 2
Minimum dimensions of the movement area	1500 x 1500 mm in front of the individual sanitary objects	<ul style="list-style-type: none"> ■ 1200 x 1200 mm in front of the individual sanitary objects ¹⁾ ■ 1500 x 1500 mm in front of the individual sanitary objects ²⁾ ■ Movement areas may overlap ¹⁾
Washbasin	<ul style="list-style-type: none"> ■ Provide a washbasin with full wheelchair access. ■ The upper edge of the washbasin can be mounted max. 800 mm high. ■ There must be knee room of at least 300 mm below and 670 mm above. ■ Provide graduated heights up to a minimum depth of 550 mm ■ Measured axially, the legroom must be at least 900 mm wide. ■ Fitting distance ≤ 400 mm to the front edge ■ WB must be equipped with a single-lever free-standing fitting or a touchless fitting. ■ Outlet temperature: max. 45 °C ■ A mirror, at least 1000 mm high and usable from both a standing and sitting position, must be arranged above the washbasin. ■ A single-handed soap dispenser must be usable in the reach range around the washbasin, even by users with restricted hand movement. ■ The hand dryer must be arranged within the WB area. ■ Paper towel dispenser and waste areas must be arranged within the WB area. 	<ul style="list-style-type: none"> ■ There must be legroom below the WB. ■ Front edge height ≤ 800 mm above UEFFL ²⁾ ■ Wheelchair access of ≥ 550 mm ²⁾ ■ ≤ 400 mm distance between fitting and front edge ²⁾ ■ Legroom of 90 cm (measured axially) ²⁾ ■ Fitting: single-lever tap with swivel outlet or touchless fitting ¹⁾ ■ Temperature limitation: max. 45 °C ¹⁾ ■ A mirror, at least 1000 mm high, must be arranged above the WB. ^{1), 2)}

¹⁾ barrier-free area

²⁾ area accessible by wheelchair

Tab. 46: Requirements for the WB area in accordance with DIN 18040

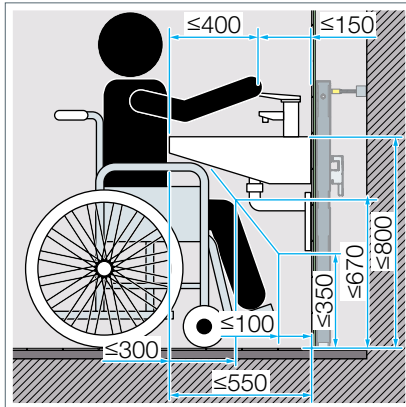


Fig. 126: Knee room and legroom dimensions

A mirror, at least 1000 mm high, must be arranged above the washbasin. The user must be able to use the mirror from both a sitting and standing position.

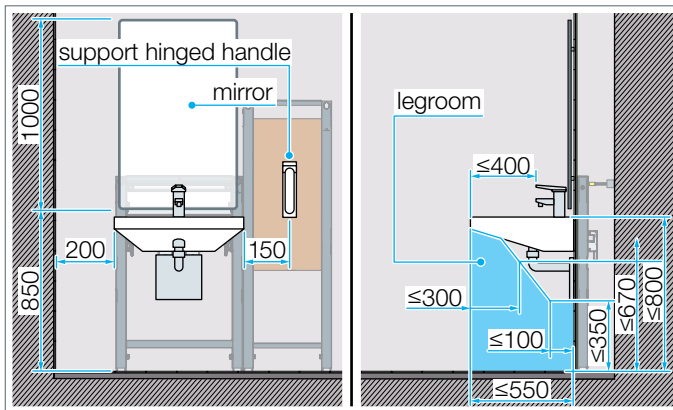


Fig. 127: Dimensions for washbasin and mirror

Sample installation for barrier-free area

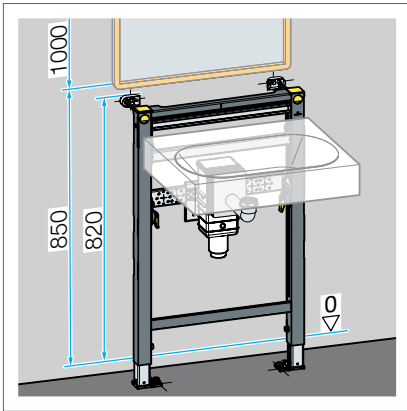


Fig. 128: WB sample installation for barrier-free, half-height area (construction height 82 cm)

Quantity	Name	Model	Art. no.
1	Prevista Dry washbasin element	8536.31	776 251
1	Prevista Dry fixing set	8570.36	776 619
1	Concealed odour trap with cover plate	5633.1	553 753
		5633.2	553 760

Tab. 47: Article number overview

WB sample installation for barrier-free, half-height area (construction height 82 cm)

Regulations for the shower area and bathtubs

	Requirements in accordance with DIN 18040-1, barrier-free construction – Fundamentals for planning – Part 1: Buildings open to the public	Requirements in accordance with DIN 18040-2, barrier-free construction – Fundamentals for planning – Part 2
Minimum dimensions of the movement area	1500 x 1500 mm in front of the individual sanitary objects	<ul style="list-style-type: none"> ■ 1200 x 1200 mm in front of the individual sanitary objects ¹⁾ ■ 1500 x 1500 mm in front of the individual sanitary objects (R) ■ Same-level arrangement for adjoining floor area with a lowering of max. 20 mm. Transitions must be created as an inclined surface. ¹⁾ ■ If the shower is at floor level and the gradient is 2% maximum, the shower site can be used as a movement area. ¹⁾
Bathtub and shower tray	<ul style="list-style-type: none"> ■ Shower site accessible, at least 1500 x 1500 mm, gradient max. 2 % ■ Shower sites must not be lowered by more than 20 mm. ■ Folding shower seat with backrest (450 mm deep, seat height 460–480 mm) ■ Horizontal handles must be arranged on both sides at a height of 850 mm. Vertical handles must also be mounted. ■ A support handle that can be folded up continuously with little effort must be mounted on each side of the folding seat. ■ The distance between the handles must be 650–700 mm, the top edge of the support hinged handles must be 280 mm above the height of the seat. ■ A single-lever shower fitting also with hand shower, accessible from the sitting position, must be arranged to the side at a height of 850 mm. The fitting lever should be facing downwards. ■ Floor coverings over the shower area must be slip resistant (according to GUV-I 8527, at least evaluation group B). 	<ul style="list-style-type: none"> ■ Slip resistant floor coverings ¹⁾ ■ Single-lever shower fitting, lever should be facing downwards ¹⁾ ■ Shower with wheelchair access, at least 1500 x 1500 mm ²⁾ ■ It must be possible to retrofit a bathtub in the area of the shower site. ^{1), 2)} ■ Retrofit option for folding shower seat and support hinged handle ²⁾ ■ Single-lever fitting in 850 mm UEFFL ²⁾ ■ Bathtub must be usable with lifter. ²⁾

¹⁾ barrier-free area

²⁾ area accessible by wheelchair

Tab. 48: Requirements for the shower area in accordance with DIN 18040

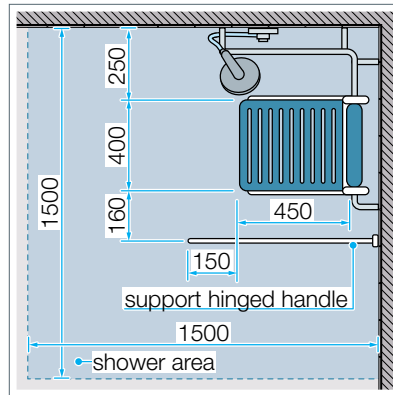
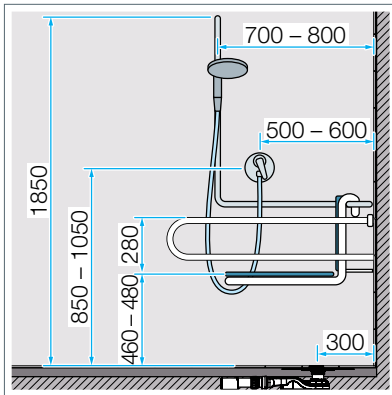


Fig. 129: Shower area dimensions – side view Fig. 130: Dimensions of shower site, floor area

Bracket loads

According to DIN 18183-1, bracket loads (static loads) can be placed on pre-wall and partition wall constructions. The threshold values must be respected. Bracket loads are allowed to project to a certain extent and introduce forces into the pre-wall or partition wall under their own weight. A distinction is drawn between light, medium and heavy bracket loads. Light bracket loads are bracket loads not exceeding 40 kg per metre of wall length, e.g. towel holders or small wall cabinets. They can be fixed to any point on the wall (cladding panel) using suitable dowels.

Medium bracket loads are loads between 40 and 70 kg per metre of wall length. If the cladding is at least 18 mm thick, these loads can likewise be fixed to any point on the wall (cladding plate) using suitable dowels.

Heavy bracket loads are loads between 70 and 140 kg per metre of wall length, e.g. wall WCs, washbasins, urinals, etc. They exert high bracket loads onto the walls and must therefore always be used in combination with suitable Prevista elements.

The permissible bracket load P and the half projection can be changed if the conditions of straight 2 (light bracket loads) and straight 1 (medium bracket loads) are met.

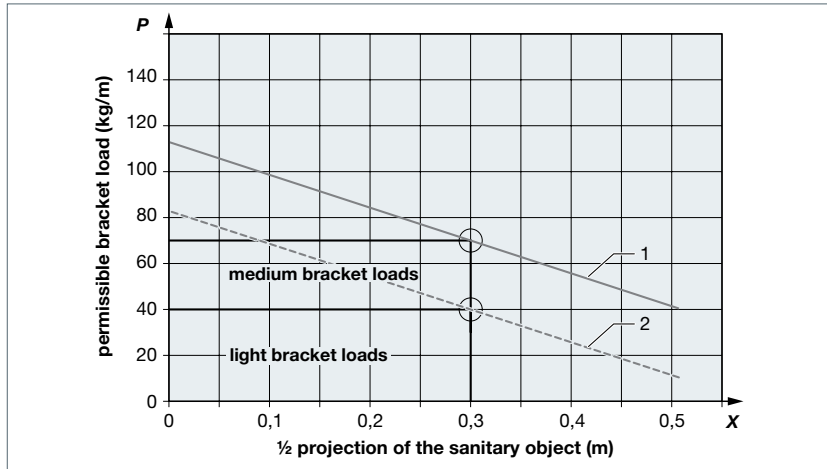


Fig. 131: Bracket loads

Barrier-free objects such as support hinged handles can be mounted using the following Prevista models:

- Prevista Dry fixing element, CH 1120 mm, model 8570.32
- Prevista Dry fixing element, CH 1120 mm, model 8570.31
- Prevista Dry Plus fixing element, model 8570.34
- Prevista Dry Plus plywood board, model 8570.33

Other examples of bracket loads:

- Bathtub handles approx. 80 kg
- Mirrored cabinet approx. 40 kg
- Towel rail approx. 25 kg
- Mirror approx. 15 kg
- Towel holder approx. 8 kg

Load tests – loads caused by wall-hung ceramics

Wall-hung sanitary objects cause very high loads in pre-wall installations. The actual load that a wall-hung WC or bidet has to withstand is way above the average weight of a human body.

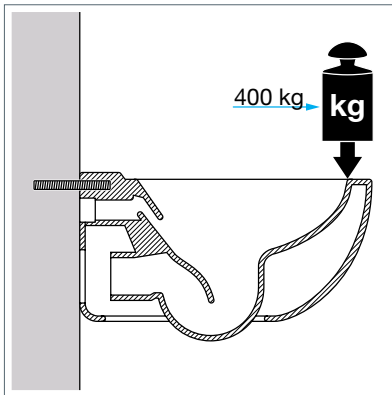


Fig. 132: Load test WC

As soon as a user sits on a WC ceramic, high forces act on the ceramic and the entire sanitary installation in the pre-wall by virtue of the lever principle. Therefore, the applicable standards demand that WCs and bidets withstand a minimum load of 400 kg and washbasins a load of 150 kg. These requirements are afforded the highest priority in the development of Viega pre-wall installation systems for dry and wet construction. If these requirements are not fulfilled, consequential damage such as cracked tiles can occur. The static load tests carried out in the factory require that any deformation of the supporting metal profiles is minimal and that the defined threshold values are not exceeded. The tests simulate the maximum load to which the elements are exposed by placing heavy weights on the ceramic. The elements are realistically constructed, as they are later on-site. The in-factory tests are confirmed by accredited laboratories and hence underscore the load bearing capacity of the Prevista pre-wall system.

Fire protection

You can find information about fire protection in pre-wall technology online at viega.com

Sound protection

In building systems, sound protection is governed by two regulations. DIN 4109 sets out the minimum requirements for sound protection in buildings, the revised VDI 4100:2012-10 focuses on increased sound protection and defines three sound protection levels:

- Level I describes the minimum requirements for dwellings: a low basic sound level, which is perceived in the adjacent dwellings as a reduced, tolerable sound.
- Level II reflects the average expectations of comfort. Quietness generally prevails and people can converse normally without the fear of being overheard.
- Level III applies to the "comfort dwellings" with significantly more sophisticated fittings: total quietness prevails. Noises from outside are barely perceptible.

Prevista Dry Plus sound insulation set



Fig. 133: Sound insulation set (model 8310.52)

Noise is perceived differently depending on its source and on the person's mood. One's own music does not present a problem, while noises from the adjacent dwelling can be perceived as bothersome and, depending on the type of noise, as uncomfortable.

Constructive approach to sound protection

Sound transmission can be reduced even by intelligent layout planning. Placing bathroom fittings such as shower tray or WC on a wall adjacent to rooms with high sound protection requirements such as bedrooms is not conducive to good building acoustics. The same noise emission, however, is barely perceptible on the wall to the kitchen. Pre-wall systems such as Pre-vista Dry or Pre-vista Dry Plus ensure that the structure-borne noise transmission from the installations to the building is reduced to a minimum. Sound decoupled fixings such as model 8310.52 support this reduction.

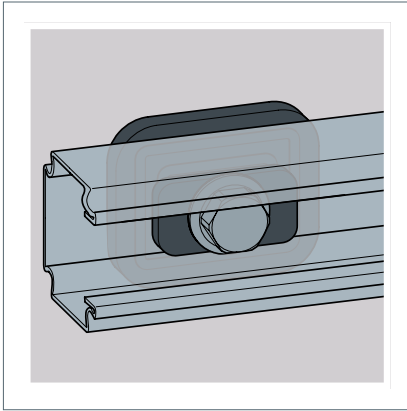


Fig. 134: Sound insulation set, model 8310.52, when mounted

PRODUCTS

Prevista Dry

System description

See „Conventional dry construction with Prevista Dry“ on page 12.

Product range overview

The pages that follow show a selection from our range. You can find a complete overview in the current catalogue or at viega.de.

WC elements

All Prevista WC elements are compatible with all Prevista flush plates.

Prevista Dry WC element with shower WC connection



Fig. 135: Prevista Dry WC element (model 8522)

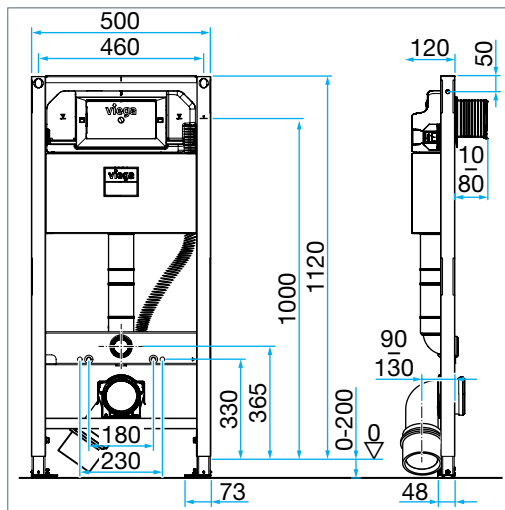


Fig. 136: Dimensional drawing model 8522



Fig. 137: Prevista Dry WC element (model 8530)

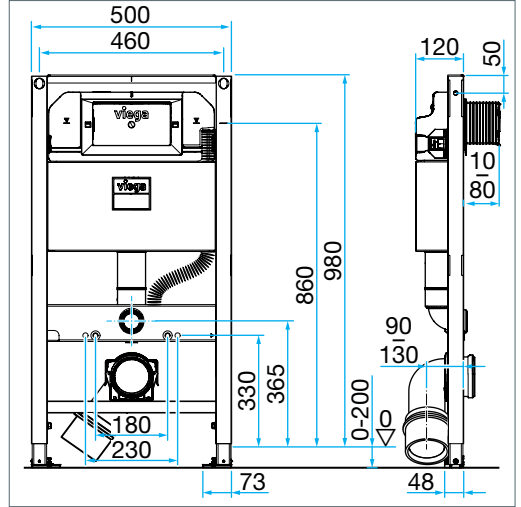


Fig. 138: Dimensional drawing model 8530



Fig. 139: Prevista Dry WC element (model 8533)

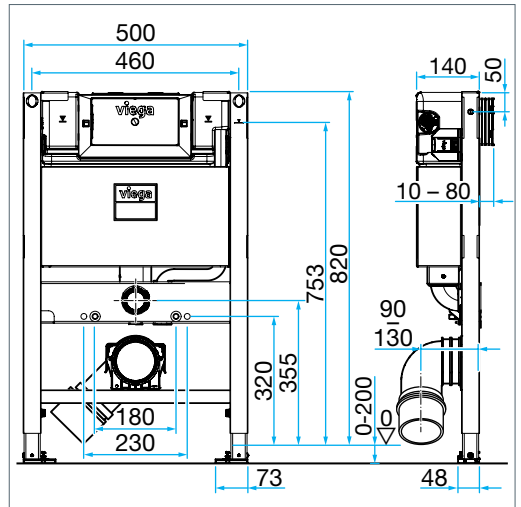





Fig. 140: Dimensional drawing model 8533

- Dual flush technology
- Large flush volume can be set from approx. 3.5 to 7.5 l (factory setting approx. 6 l)
- Small flush volume can be set from approx. 2 to 4 l (factory setting approx. 3 l)
- Flushing throttle for adapting to edgeless ceramics already pre-assembled. However, this is preset in the factory without throttle function.
- Universal shower WC connection for standard ceramics
- Powder-coated steel frame, suitable for up to 400 kg of load on the WC ceramic based on DIN EN 997:2018
- Floor installations from 0 to 200 mm possible (with accessories up to 400 mm available separately, model 8580.48)
- Can also be used in the Prevista Dry Plus rail system
- Drain elbow with 3-stage depth-adjustment, see „Wastewater connection“ on page 70
- Suitable for all Viega flush plates
- Standard drain valve seal
- Cladding possible from a material thickness of 10 mm
- Seal plugs and inspection shaft with marking aid for dry construction

Model	Art. no.	Construction height	Height of flush plate (middle)	Width	Construction depth element without wastewater elbow	Actuation	QR code
8522	771 980	1120 mm	1000 mm	500 mm	120 mm	front	
8530	772 000	980 mm	860 mm	500 mm	120 mm	front	
8533	772 017	820 mm	753 mm (actuation from the front)	500 mm	140 mm	front/top	

Tab. 49: Overview of Prevista Dry WC elements with shower WC connection

WC elements with special properties

Prevista Dry WC element ceramic height adjustable by 6 cm in the carcass



Fig. 141: Prevista Dry WC element (model 8521)

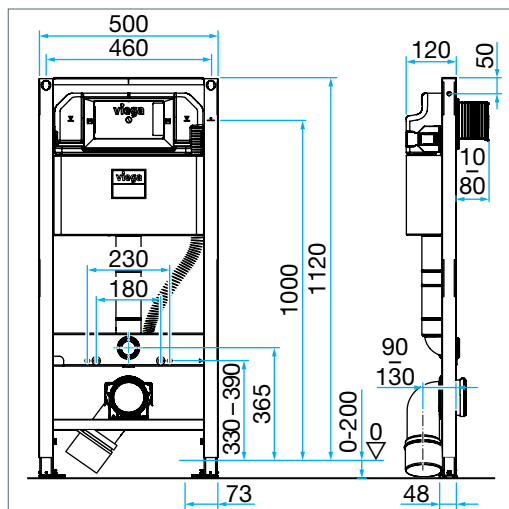


Fig. 142: Dimensional drawing model 8521

- Ceramic fixing height can be adjusted in the carcass phase to between 330 mm and 390 mm above the upper edge of the finished floor (UEFFL) while respecting the general pre-wall or flush plate height
- Additional properties as model 8522 (see page 122)

Model	Art. no.	Const- ruction height	Height of flush plate (middle)	Width	Const- ruction depth	Actuation	QR code
8521	771 997	1120 mm	1000 mm	500 mm	120 mm	front	

Tab. 50: Overview of Prevista Dry WC element, model 8521

Prevista Dry WC element for support handles, ceramic height adjustable by 6 cm in the carcass – for barrier-free construction



Fig. 143: Prevista Dry WC element for support handles (model 8874.9)

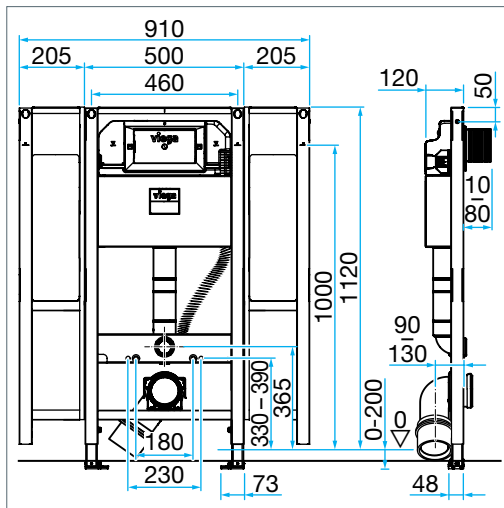


Fig. 144: Dimensional drawing model 8874.9

- Incl. pre-assembled fixing elements for support hinged handles
- Fixing sets included
- Other properties as model 8521 (see page page 125)

Model	Art. no.	Construction height	Height of flush plate (middle)	Width	Construction depth	Actuation	QR code
8874.9	793 074	1120 mm	1000 mm	910 mm	120 mm	front	

Tab. 51: Overview of WC element 8874.9

Prevista Dry WC element ceramic height individually adjustable by user at the push of a button



Fig. 145: Prevista Dry WC element ceramic height individually adjustable by user at the push of a button (model 8521.32)

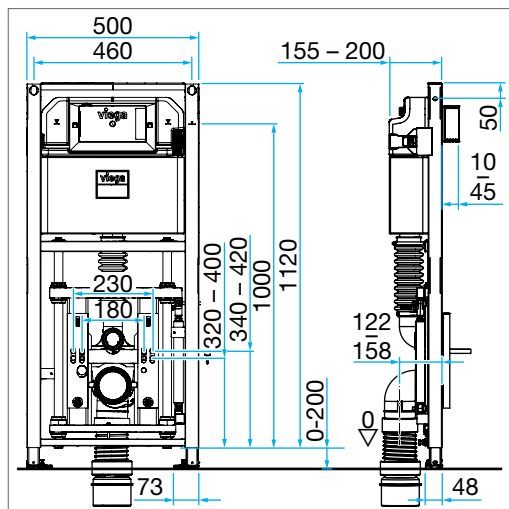


Fig. 146: Dimensional drawing model 8521.32

- The user can adjust the ceramic height by 8 cm at the push of a button
- Other properties as model 8522 (see page 122), except without shower WC connection
- For the downward movement, press the button during use. The upward movement occurs automatically in the unloaded state under spring force.
- Always order in combination with cover plate, model 8570.39 (art. no. 775 841).

Model	Art. no.	Construction height	Height of flush plate (middle)	Width	Construction depth	Actuation	QR code
8521.32	772 024	1120 mm	1000 mm	500 mm	155 mm	front	

Tab. 52: Overview of model 8521.32

Washbasin elements

Prevista Dry washbasin elements, flexible crossbeam setting



Fig. 147: Prevista Dry washbasin element (model 8535)

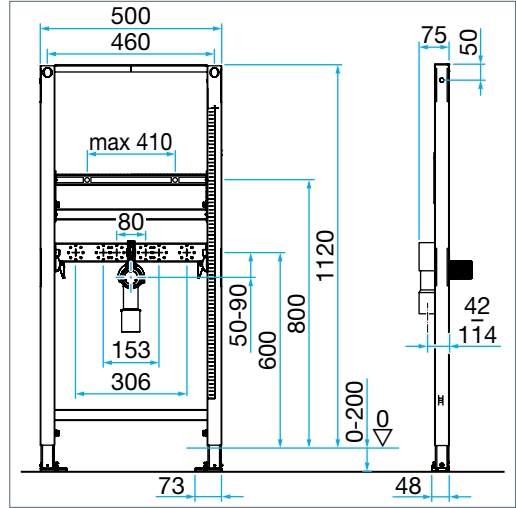


Fig. 148: Dimensional drawing model 8535



Fig. 149: Prevista Dry washbasin element (model 8535.31)

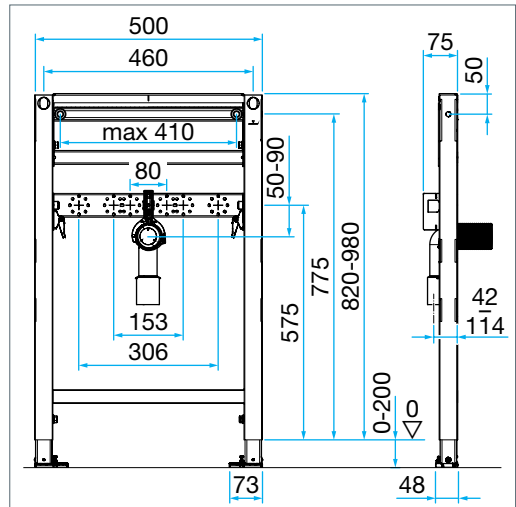




Fig. 150: Dimensional drawing model 8535.31

- For washbasins with single-hole fitting
- Sanitary object fixing continuously height-adjustable
- Crossbeam for water connections continuously height-adjustable via quick-release clamp without the use of tools
- Powder-coated steel frame, suitable for up to 150 kg of load on the washbasin ceramic
- For construction height 1120 mm, measuring tape at the side for simple alignment of the crossbeams
- Drain elbows to DN40/50 (waste water) and DN50/30 (inlet) for various applications
- Can also be used in Prevista Dry Plus rail system

Model	Art. no.	Construction height	Width	Construction depth	QR code
8535	776 186	1120 mm	500 mm	75 mm	
8535.31	776 190	820–980 mm	500 mm	75 mm	

Tab. 53: Overview of Prevista Dry washbasin element with flexible height adjustment

Prevista Dry washbasin element, barrier-free



Fig. 151: Prevista Dry washbasin element, barrier-free (model 8536)

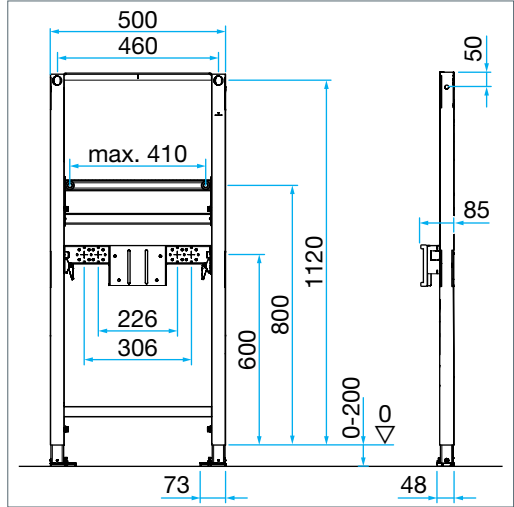


Fig. 152: Dimensional drawing model 8536



Fig. 153: Prevista Dry washbasin element, barrier-free (model 8536.31)

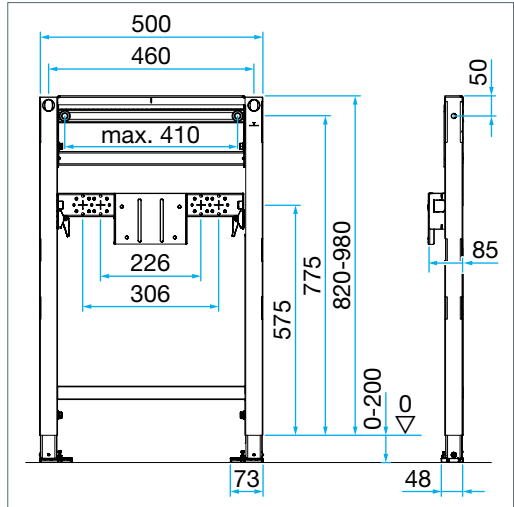




Fig. 154: Dimensional drawing model 8536.31

- With universal concealed odour trap holder for accommodating, e.g. model 5633.1/5633.2, to create an accessible, barrier-free installation situation
- Additional properties as model 8535 (see page 128)

Model	Art. no.	Construction height	Width	Construction depth	QR code
8536	776 046	1120 mm	500 mm	85 mm	
8536.31	776 251	820–980 mm	500 mm	85 mm	

Tab. 54: Overview of barrier-free Prevista Dry washbasin elements

Prevista Dry washbasin element, ceramic height individually adjustable by the user at the push of a button



Fig. 155: Prevista Dry washbasin element (model 8535.32)

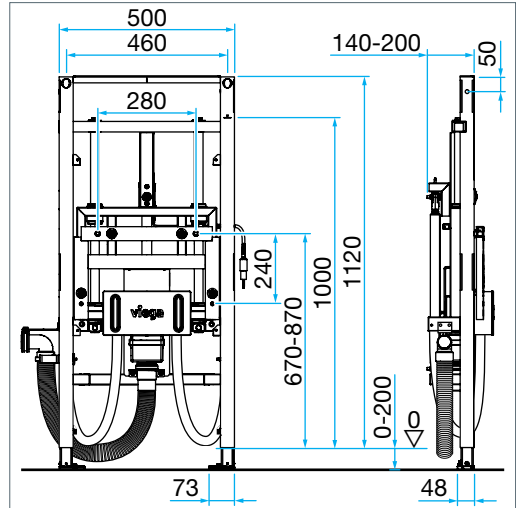



Fig. 156: Dimensional drawing model 8535.32

- The user can adjust the ceramic height by 20 cm at the push of a button: to move downwards, push on the washbasin. The movement upwards is automatic by spring force.
- Always order in combination with cover plate, model 8570.45 (art. no. 785 536).
- Additional properties as model 8535

Model	Art. no.	Construction height	Width	Construction depth	QR code
8535.32	776 213	1120 mm	500 mm	140 mm	

Tab. 55: Overview of washbasin element, model 8535.32

Urinal elements

Prevista Dry urinal element water connection universal



Fig. 157: Prevista Dry urinal element, water connection universal (model 8560.32)

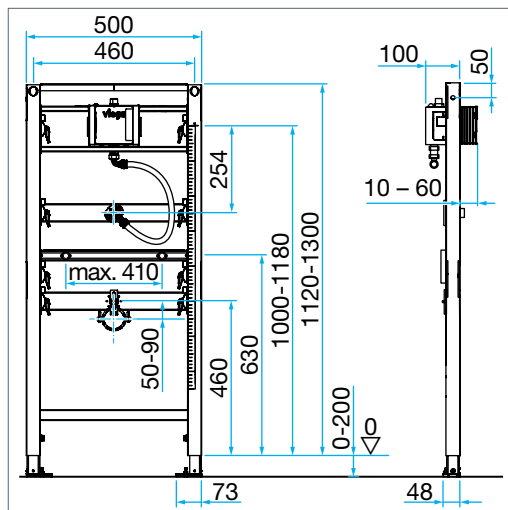


Fig. 158: Dimensional drawing model 8560.32

- Suitable for all commercially available urinals, incl. spray head urinals
- Compatible with all Prevista urinal flush plates, incl. electronic flush actuation
- Crossbeams continuously height-adjustable separately from one another via quick-release clamp without the use of tools
- Powder-coated steel frame, suitable for up to 100 kg of load on the urinal ceramic
- Side measuring table for simple alignment of the crossbeams
- Construction height flexibly adjustable between 1120 and 1300 mm
- Can be used in the Prevista Dry Plus rail system
- Clamp for drain elbow 54–58 mm

Model	Art. no.	Construction height	Width	Construction depth	QR code
8560.32	776 411	1120–1300 mm	500 mm	100 mm	

Tab. 56: Overview of urinal element 8560.32

Prevista Dry urinal element, flush actuation concealed



Fig. 159: Prevista Dry urinal element, flush actuation concealed (model 8560.31)

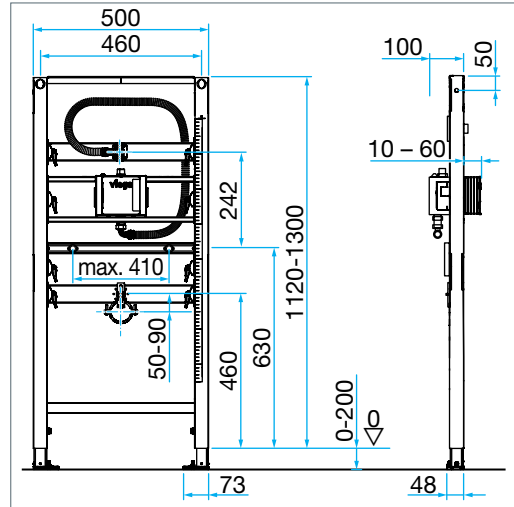



Fig. 160: Dimensional drawing model 8560.31

- For tile-concealed installation without flush plate
- Suitable for all commercially available urinals, incl. spray head urinals
- Can be used in combination with equipment set, model 8560.33 (art. no. 785956)
- Crossbeams can be interchanged and continuously adjusted in height separately from one another using a quick-release clamp and no other tools
- Powder-coated steel frame, suitable for up to 100 kg of load on the urinal ceramic
- Side measuring table for simple alignment of the crossbeams
- Can be used in the Prevista Dry Plus rail system
- Construction height flexibly adjustable between 1120 and 1300 mm

Model	Art. no.	Construction height	Width	Construction depth	QR code
8560.31	776 428	1120–1300 mm	500 mm	100 mm	

Tab. 57: Overview of urinal element 8560.31

Prevista Dry urinal element, water connection telescopic



Fig. 161: Prevista Dry urinal element, water connection telescopic (model 8560)

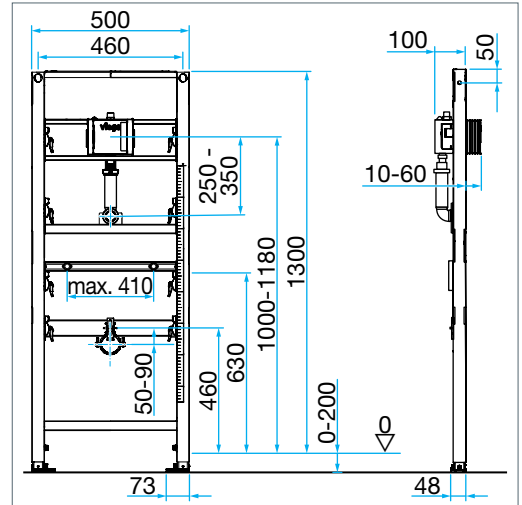


Fig. 162: Dimensional drawing model 8560

- Suitable for all commercially available urinals without spray head
- Compatible with all Prevista urinal flush plates, incl. electronic flush actuation
- Crossbeams continuously height-adjustable separately from one another via quick-release clamp without the use of tools
- Powder-coated steel frame, suitable for up to 100 kg of load on the urinal ceramic
- Side measuring table for simple alignment of the crossbeams
- Individual adjustment range 100 mm for water connection
- Can be used in the Prevista Dry Plus rail system

Model	Art. no.	Construction height	Width	Construction depth	QR code
8560	776 404	1300 mm	500 mm	100 mm	

Tab. 58: Overview of urinal element 8560

Bidet element



Fig. 163: Prevista Dry bidet element (model 8568)

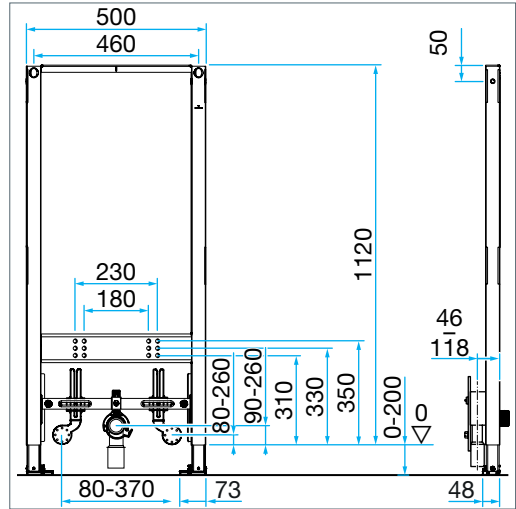


Fig. 164: Dimensional drawing model 8568

- For wall-hung bidet
- Can be used in the Prevista Dry Plus rail system
- Ceramic fixing height-adjustable
- Wall plate fixing height and width-adjustable

Model	Art. no.	Construction height	Width	Construction depth	QR code
8568	776 442	1120 mm	500 mm	46-118 mm	

Tab. 59: Overview of bidet element 8568

Building project elements

Prevista Dry WC element, building project version



Fig. 165: Prevista Dry WC element, building project version (model 8524)

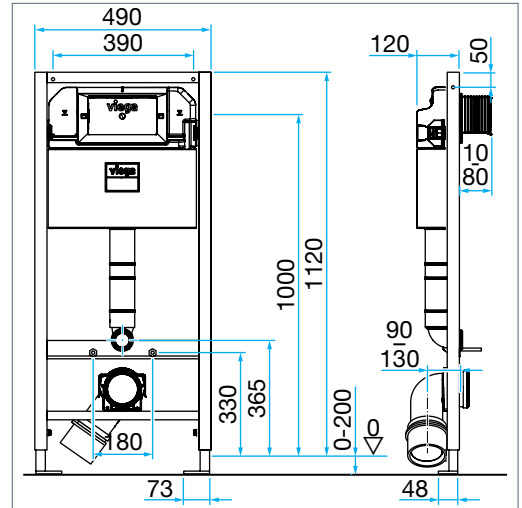


Fig. 166: Dimensional drawing model 8524

- Dual flush technology
- Large flush volume can be set from approx. 3.5 to 7.5 l (factory setting approx. 6 l)
- Small flush volume can be set from approx. 2 to 4 l (factory setting approx. 3 l)
- Powder-coated steel frame (30x30 mm) suitable for loads of up to 400 kg
- Floor installations from 0 to 200 mm possible (with accessories up to 400 mm available separately, model 8310.68)
- Drain elbow with 3-stage depth-adjustment, see „Wastewater connection“ on page 70
- Suitable for all Viega flush plates
- Standard drain valve seal
- Cladding possible from a material thickness of 10 mm

Model	Art. no.	Construction height	Height of flush plate (middle)	Width	Construction depth	Actuation	QR code
8524	771 973	1120 mm	1000 mm	490 mm	120 mm	front	

Tab. 60: Overview of WC element 8524

Prevista Dry washbasin element, building project version



Fig. 167: Prevista Dry washbasin element, building project version (model 8539)

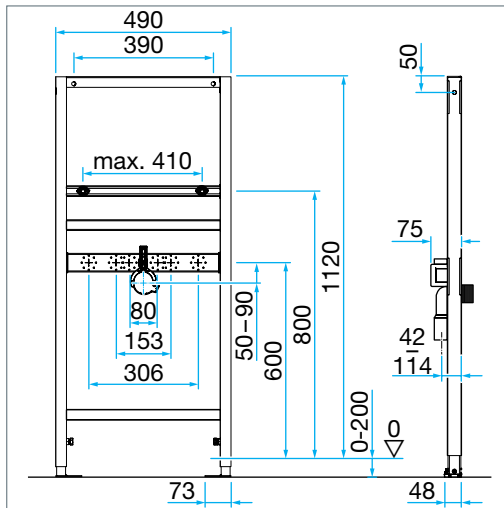


Fig. 168: Dimensional drawing model 8539

- For washbasins with single-hole fitting
- Powder-coated steel frame, suitable for up to 150 kg of load on the washbasin ceramic
- Floor installations from 0 to 200 mm possible (with accessories up to 400 mm available separately, model 8310.68)

Model	Art. no.	Construction height	Width	Construction depth	QR code
8539	776 541	1120 mm	490 mm	75 mm	

Tab. 61: Overview of washbasin element, model 8539


Accessories

Prevista Dry floor support set



Fig. 169: Floor support set (model 8580.48)

- Compatible with most Prevista Dry elements (not suitable for Prevista Dry washbasin element, building project version model 8539, Prevista Dry WC element, building project version model 8524 and Prevista Dry WC element, floor-standing WC or child WC, model 8522.33)
- For floor installations up to 400 mm
- Compatible with the Prevista Dry Plus mounting rails

Model	Art. no.	Setting range	QR code
8580.48	798 666	0–400 mm	

Tab. 62: Overview of WC floor support set, model8580.48

Prevista Dry support set

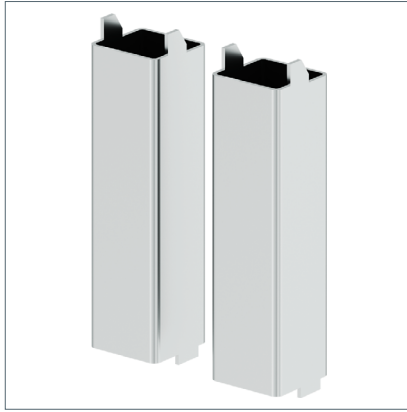


Fig. 170: Support set (model 8570.37)

- Suitable for Prevista Dry WC element, model 8521, 8522, 8530 and 8533
- For mounting ceramics with a bearing surface of less than 17 cm

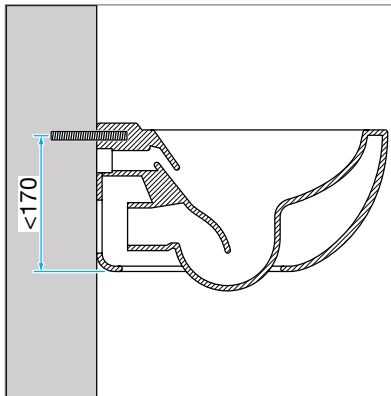


Fig. 171: WC ceramic bearing surface

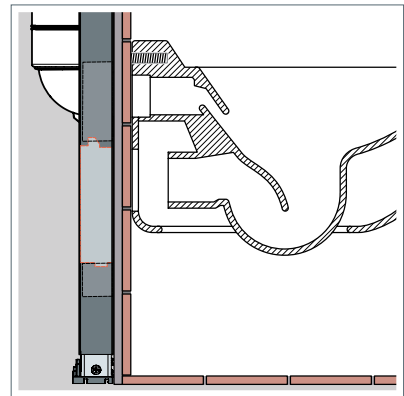



Fig. 172: Diagram of support set 8570.37

Model	Art. no.	QR code
8570.37	776 053	

Tab. 63: Overview of support set, model 8570.37

Prevista Dry fixing set

Mounting options for Prevista Dry



Fig. 173: Prevista Dry fixing set universal (model 8570.36)

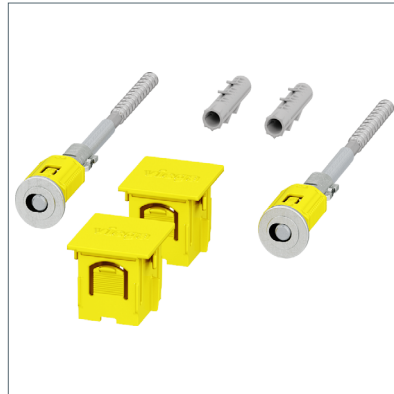


Fig. 174: Prevista Dry fixing set (model 8573)

- For fixing Prevista Dry elements directly to the structure (solid wall or steel stud frame), also for corner mounting
 - For fixing to mounting rail, model 8001
 - Depth-adjustable from 120 to 200 mm
 - Incl. bearing surface of plaster-board cladding panels
- For fixing Prevista Dry elements directly to the structure (solid wall)
 - Depth-adjustable from 120 to 200 mm

Model	Art. no.	QR code
8570.36	776 619	
8573	776 626	

Tab. 64: Overview of fixing sets for Prevista Dry

Mounting options Prevista Dry (building project versions)





Fig. 175: Prevista Dry fixing set universal (model 8180.73)

- For fixing Prevista Dry elements directly to the structure (solid wall)
- Depth-adjustable to 200 mm



Fig. 176: Prevista Dry fixing set (model 8573)

- For fixing Prevista Dry elements directly to the structure (solid wall)
- For fixing to mounting rail, model 8001
- Depth-adjustable to 200 mm

Model	Art. no.	QR code
8180.73	678 630	
8173	460 440	

Tab. 65: Overview of fixing sets for Prevista Dry (building project versions)

Compatibility with Prevista WC elements

Model	Fixing sets				
	Model 8570.36 (Art. no. 776 619)	Model 8573 (Art. no. 776 626)	Model 8570.49 (Art. no. 785 925)	Model 8180.73 (Art. no. 678 630)	Model 8173 (Art. no. 460 440)
8521	✓	✓	✓		
8522	✓	✓	✓		
8530	✓	✓	✓		
8533	✓	✓	✓		
8521.32	✓	✓	✓		
8522.31	✓	✓	✓		
8522.33	✓	✓	✓		
8524				✓	✓

Tab. 66: Prevista fixings – WC elements

Compatibility with Prevista washbasin elements

Model	Art. no.	Fixing sets				
		Model 8570.36 (Art. no. 776 619)	Model 8573 (Art. no. 776 626)	Model 8570.49 (Art. no. 785 925)	Model 8180.73 (Art. no. 678 630)	Model 8173 (Art. no. 460 440)
8535	776 183	✓	✓	✓		
8538	789 329	✓	✓	✓		
8535.31	776 190	✓	✓	✓		
8535.33	776 206	✓	✓	✓		
8535.32	776 213	✓	✓	✓		
8536	776 046	✓	✓	✓		
8536.31	776 251	✓	✓	✓		
8537	776 268	✓	✓	✓		
8537.31	776 275	✓	✓	✓		
8540	776 220	✓	✓	✓		
8540.31	776 237	✓	✓	✓		
8540.32	776 039	✓	✓	✓		
8540.33	776 282	✓	✓	✓		
8539	776 541				✓	✓

Tab. 67: Prevista fixings – washbasin elements

Compatibility with Prevista urinal elements

Model	Fixing sets				
	Model 8570.36 (Art. no. 776 619)	Model 8573 (Art. no. 776 626)	Model 8570.49 (Art. no. 785 925)	Model 8180.73 (Art. no. 678 630)	Model 8173 (Art. no. 460 440)
8560.32 (Art. no. 776 411)	✓	✓	✓		
8560 (Art. no. 776 404)	✓	✓	✓		
8560.31 (Art. no. 776 428)	✓	✓	✓		

Tab. 68: Prevista fixings – urinal elements

Compatibility with Prevista bidet elements

Model	Fixing sets				
	Model 8570.36 (Art. no. 776 619)	Model 8573 (Art. no. 776 626)	Model 8570.49 (Art. no. 785 925)	Model 8180.73 (Art. no. 678 630)	Model 8173 (Art. no. 460 440)
8568 (Art. no. 776 442)	✓	✓	✓		

Tab. 69: Prevista fixings – bidet elements

Compatibility with Prevista base frames

Model	Fixing sets				
	Model 8570.36 (Art. no. 776 619)	Model 8573 (Art. no. 776 626)	Model 8570.49 (Art. no. 785 925)	Model 8180.73 (Art. no. 678 630)	Model 8173 (Art. no. 460 440)
8570 (Art. no. 776 466)	✓	✓	✓		

Tab. 70: Prevista fixings – base frames

Compatibility with fixing elements for support hinged handles or similar

Model	Fixing sets				
	Model 8570.36 (Art. no. 776 619)	Model 8573 (Art. no. 776 626)	Model 8570.49 (Art. no. 785 925)	Model 8180.73 (Art. no. 678 630)	Model 8173 (Art. no. 460 440)
8570.31 (Art. no. 776 497)	✓	✓	✓		
8570.32 (Art. no. 776 473)	✓	✓	✓		
8570.32 (Art. no. 776 480)	✓	✓	✓		

Tab. 71: Prevista fixings – Prevista fixing elements for support hinged handles or similar

Prevista Dry Plus

System description

See „Dry construction with Prevista Dry Plus rail system“ on page 42.

The Prevista Dry elements (apart from the building project versions) can also be used in the Prevista Dry Plus rail system, and therefore offer the full selection of suitable articles for any installation scenario.



Product range overview

A selection of complementary products for the Prevista Dry Plus rail system is shown below. You can find a complete overview in the current catalogue or at viega.de.


Rail system

Prevista Dry Plus complete packages



Fig. 177: Prevista Dry Plus complete package (model 8400)

- The Prevista Dry Plus complete package provides the material required to create a partition or pre-wall construction based on the dimensions of the cladded surface.
- The package includes the rail connectors, fixing material, compensating material for uneven walls and screws for fixing the plasterboard cladding panels.
- The mounting rails are required in addition.

Model	Art. no.	For cladded surfaces of	Number of rail connectors	QR code
8400	471 545	1 m ²	10	
	471 750	3 m ²	27	
	471 767	5 m ²	40	
	471 774	10 m ²	70	


Tab. 72: Overview of model 8400

Prevista Dry Plus mounting rail



Fig. 178: Mounting rail (Model 8401)

- Galvanised mounting rail for creating partition and pre-wall constructions, in combination with the Prevista Dry Plus rail connector
- Pre-punched long holes continuous every 30 cm
- Can be shortened or extended by additional holes using the Prevista Dry Plus rail punch, model 8420

Model	Art. no.	Length	QR code
8401	471 781	5 m	

Tab. 73: Overview of model 8401

WC modules

See „WC elements“ on page 122.

Washbasin modules

Prevista Dry Plus washbasin module



Fig. 179: Washbasin module (model 8545)

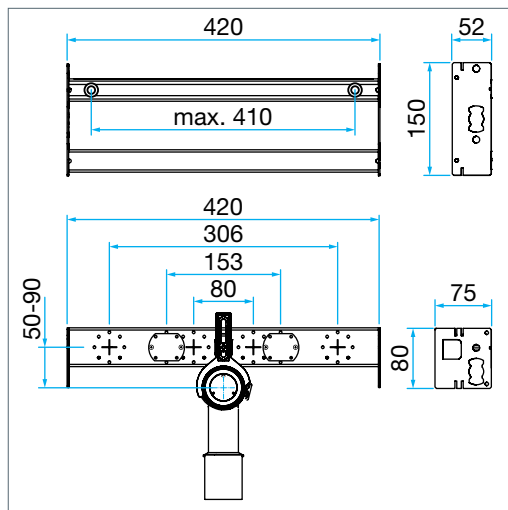


Fig. 180: Dimensional drawing model 8545

- Fixing material for module and WB ceramic included
- Sound insulation set for Viega wall plates included
- Can also be mounted in standard dry constructions

Model	Art. no.	Width	Construction depth	QR code
8545	776 299	420 mm	75 mm	

Tab. 74: Overview of model 8545

Prevista Dry Plus washbasin module, barrier-free



Fig. 181: Washbasin module, barrier-free (model 8545.31)

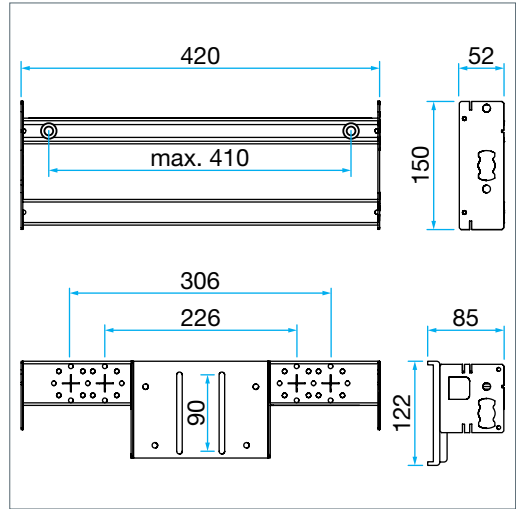



Fig. 182: Dimensional drawing model 8545.31

- Prepared for receiving universal concealed odour trap, model 5633.1/5633.2 in order to create a barrier-free installation situation for wheelchair access
- Fixing material for module and ceramic included
- Sound insulation set for Viega wall plates included
- Can also be mounted in standard dry constructions

Model	Art. no.	Width	Construction depth	QR code
8545.31	776 305	420 mm	85 mm	

Tab. 75: Overview of model 8545.31

Urinal module

Prevista Dry Plus urinal module



Fig. 183: Urinal module (model 8565)

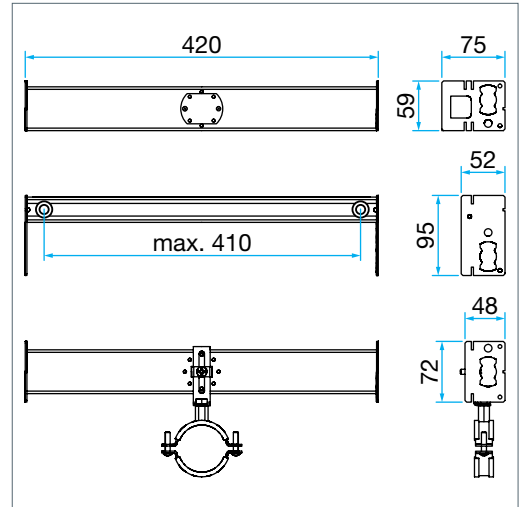






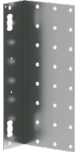

Fig. 184: Dimensional drawing model 8565

- For wall-mounted flushing valve
- Fixing material for module and ceramic included
- Height-adjustable and sound-insulated fixing for Viega wall plates included
- Clamp for drain elbows 54–58 mm
- Can also be mounted in standard dry constructions

Model	Art. no.	Width	Construction depth	QR code
8565	776 435	420 mm	75 mm	

Tab. 76: Overview of model 8565

Fitting holders

Product image	Model	Product name	Art. no.	Width	Construction depth	QR code
	8558	Prevista Dry Plus fitting holder for wall-mounted fitting	776 558	420 mm	75 mm	
	8555.33	Prevista Dry Plus fitting holder for wall-mounted fitting width-adjustable	776 350	420 mm	60 mm	
	8555.31	Prevista Dry Plus fitting holder for wall-mounted fitting, reinforced	776 336	420 mm	75 mm	
	8555	Prevista Dry Plus fitting holder for sink	776 329	420 mm	75 mm	
	8555.34	Prevista Dry Plus fitting holder for concealed fitting	776 367	420 mm	75 mm	
	8555.38	Prevista Dry Plus fitting holder for concealed fitting depth-adjustable	776 374	420 mm	40–110 mm	
	8555.35	Prevista Dry Plus fitting holder for two concealed valves or water meter with one concealed valve	776 381	130 mm	70 mm	
	8555.36	Prevista Dry Plus fitting holder for washing machine connection	776 398	82 mm	60 mm	

Tab. 77: Overview of fitting holders for Prevista

Accessories

Prevista Dry Plus rail connector



Fig. 185: Rail connector (model 8410)

- Rail mounting at an angle of 90° or 45° to one another
- Mounting on closed and open side of the rail (if mounting on closed rail, remove the yellow pawl)

Model	Art. no.	QR code
8410	471 798	

Tab. 78: Overview of model 8410

Prevista Dry Plus parallel connector

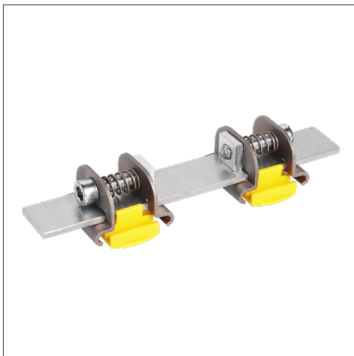


Fig. 186: Parallel connector (model 8414)

- Permits low installation depths of 80–145 mm
- Suitable for Prevista Dry Plus mounting rail, model 8401

Model	Art. no.	Setting range	QR code
8414	747 237	80–145 mm	


Tab. 79: Overview of model 8414

Prevista Dry Plus rail punch



Fig. 187: Rail punch (model 8420)

- For burr-free shortening of open mounting rails without bow saw or angle grinder
- An additional hole can be punched in the rail if necessary.

Model	Art. no.	QR code
8420	471 866	

Tab. 80: Overview of model 8420

Prevista Dry Plus tubing support

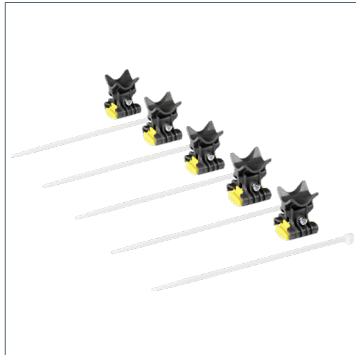



Fig. 188: Tubing support (model 8416)

- For plastic piping d16–20, maximum surrounding insulation 13 mm
- Suitable for Prevista Dry Plus mounting rail, model 8401 (mounting on open and closed side possible)

Model	Art. no.	Area of use	QR code
8416	798 468	d16–20	

Tab. 81: Overview of model 8416

Prevista Dry Plus pipe holder set

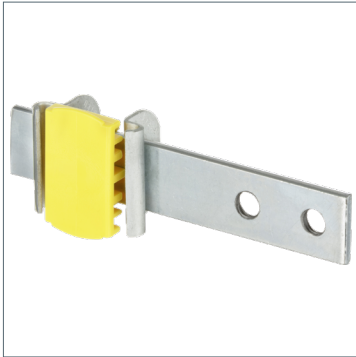



Fig. 189: Pipe holder set (model 8417)

- Suitable for Prevista Dry Plus mounting rail, model 8401
- For mounting on the open or closed side of the rail
- With M8 thread for fixing threaded rods and pipe clamps

Model	Art. no.	Length	QR code
8417	802 851	105 mm	

Tab. 82: Overview of model 8417

Prevista Dry WC floor support set


See „Prevista Dry floor support set“ on page 139.

Prevista Dry Plus elbow 90°



Fig. 190: Elbow (model 8415.1)

- These elbows can be used instead of rail connectors, model 8410, as stabilisation to transport pre-fabricated pre-walls.
- For connecting rail connectors (model 8401) in 90° joints

Model	Art. no.	Dimensions	QR code
8415.1	765 989	62 x 62 mm	


Tab. 83: Overview of model 8415.1

Prevista Dry Plus mounting angle



Fig. 191: Mounting angle (model 8415)

- For the wall connection of pre-fabricated pre-walls

Model	Art. no.	Dimension	QR code
8415	485 061	50 x 75 mm	
	726 300	50 x 140 mm	


Tab. 84: Overview of model 8415

Prevista Dry Plus mounting angle



Fig. 192: Mounting angle (model 8413)

- For wall mounting
- Not suitable for floor mounting
- Suitable for Prevista Dry Plus mounting rail, model 8401
- For mounting on the open or closed side of the rail

Model	Art. no.	Installation depth	QR code
8413	802 875	80–300 mm	

Tab. 85: Overview of model 8413

Prevista Dry Plus mounting joint



Fig. 193: Mounting joint (model 8411)

- For continuous angle adjustment from 0 to 180°, e.g. for fixing and connecting mounting rails to sloping roofs
- Compatible with the Prevista Dry Plus rail connector, model 8410

Model	Art. no.	Setting range	QR code
8411	471 804	0–180°	

Tab. 86: Overview of model 8580.48

Prevista Dry Plus fixing set

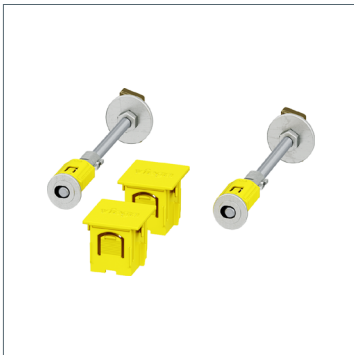


Fig. 194: Fixing set (model 8570.49)

- For the individual and line mounting of Prevista elements to the mounting rail, model 8401 (Prevista Dry Plus mounting)
- For the individual and line mounting of Prevista elements to the mounting rail, model 8001
- Depth-adjustable to 200 mm

Model	Art. no.	Setting range	QR code
8570.49	785 925	150–245 mm	

Tab. 87: Overview of model 8570.49

Prevista Pure

System description

See „Wet construction with Prevista Pure“ on page 60.

Product range overview

For walling in and around: all Prevista Pure WC blocks are compatible with all Prevista flush plates. The pages that follow show a selection from our range. You can find a complete overview in the current catalogue or at viega.de.

Prevista Pure WC blocks



Fig. 195: Prevista Pure WC block (model 8512)

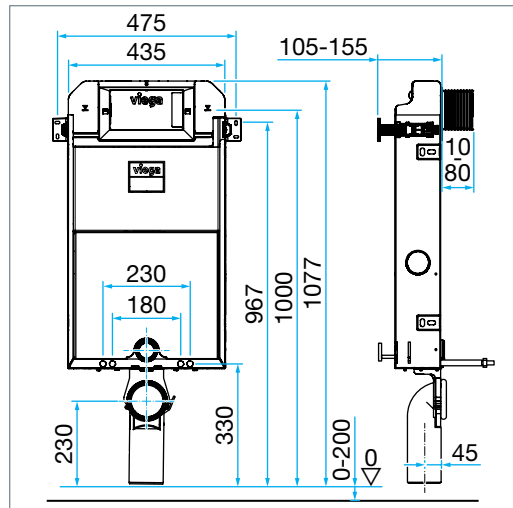


Fig. 196: Dimensional drawing model 8512



Fig. 197: Prevista Pure WC block (model 8516)

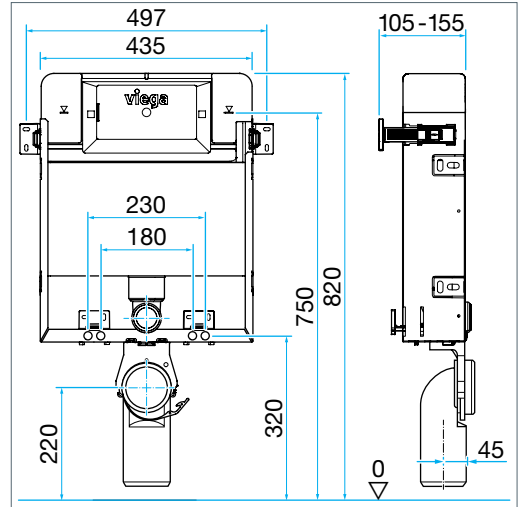


Fig. 198: Dimensional drawing model 8516

- Dual flush technology
- Large flush volume adjustable from approx. 3.5–7.5 l (factory setting approx. 6 l)
- Small flush volume adjustable from approx. 2–4 l (factory setting approx. 3 l)
- Flushing throttle for adapting to edgeless ceramics already pre-assembled, although without set throttle function
- Galvanised steel frame, incl. fixing lugs for pre-mounting

Model	Art. no.	Construction height	Height of flush plate (middle)	Width	Construction depth	Actuation	QR code
8512	771 928	1077 mm	1000 mm	435 mm	105–155 mm	front	
8516	771 942	820 mm	753 mm	435 mm	105–155 mm	front and top	

Tab. 88: Overview of WC blocks, model 8512 and 8516

Prevista Pure washbasin block



Fig. 199: Prevista Pure WB block, (model 8550)

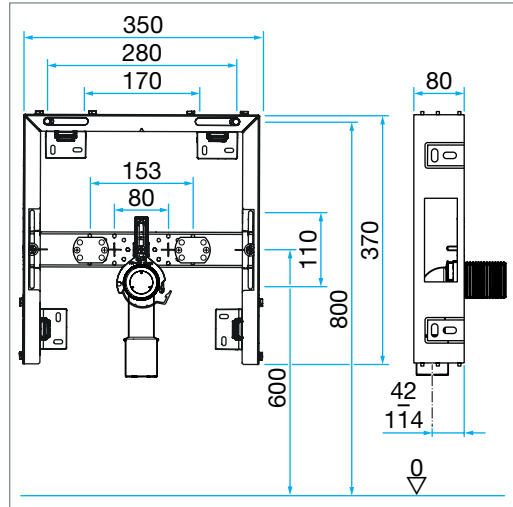



Fig. 200: Dimensional drawing model 8550

- Height-adjustable bracket for water connections and sound-insulation set for Viega wall plates included
- Galvanised steel frame, incl. fixing lugs for pre-mounting

Model	Art. no.	Construction height	Width	Construction depth	QR code
8550	776 596	370 mm	350 mm	80 mm	

Tab. 89: Overview of washbasin block, model 8550

Prevista Pure urinal water pipe section



Fig. 201: Urinal water path (model 8566)

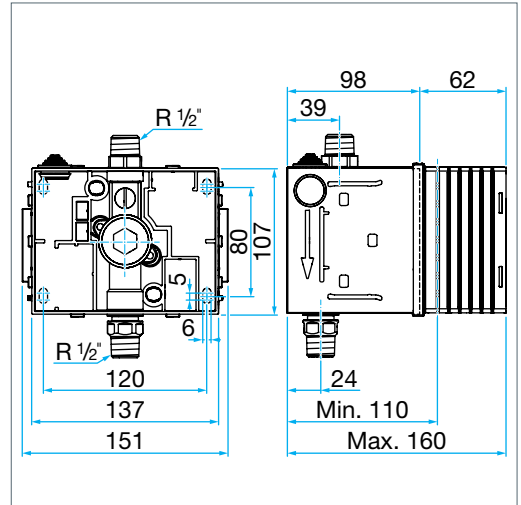


Fig. 202: Dimensional drawing model 8566

- For urinals with concealed flushing system
- Compatible with all Prevista urinal flush plates, incl. electronic flush actuation

Model	Art. no.	Width	Construction depth	QR code
8566	785 994	151 mm	110–160 mm	

Tab. 90: Overview of urinal water paths, model 8566


Accessories

Prevista Pure standing bracket



- For creating the self-supporting mounting of a Prevista Pure WC block. The static loads are intercepted by the masonry.
- Galvanised steel
- Incl. fixing material for the floor

Fig. 203: Standing bracket, model 8570.54

Model	Art. no.	QR code
8570.54	785 987	


Tab. 91: Overview of standing bracket, model 8570.54

Mounting aid



- For wall mounting a Prevista Pure WC block. The static loads are intercepted by the masonry.
- Galvanised steel
- Cuttable

Fig. 204: Mounting set, model 8310.88

Model	Art. no.	QR code
8310.88	761 134	

Tab. 92: Overview of mounting set, model 8310.88

WC/Urinal flush plates

WC flush plates

All Viega WC flush plates from year of construction 2019 can be used with the new Viega concealed cisterns, see „Tab. 33: Combination options – flush plates with Prevista Dry WC elements“ on page 77.

Visign for Style

Special features:

- Tool-free mounting, fixing material included
- Upon customer request, selected articles are available in special colours, e.g. matched to fittings

Visign for Style 20



Fig. 205: Visign for Style 20 (model 8610.1)

- Material: plastic
- Actuation: manual
- Flushing technology: dual flush
- Application: from the front or top
- Mounting: tool-free

Visign for Style 21

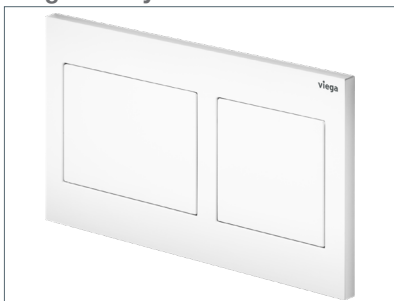


Fig. 206: Visign for Style 21 (model 8611.1)

- Material: plastic
- Actuation: manual
- Flushing technology: dual flush
- Application: from the front or top
- Mounting: tool-free

Visign for Style 23



Fig. 207: Visign for Style 23 (model 8613.1)

- Material: plastic; acrylic
- Actuation: manual
- Flushing technology: dual flush
- Application: from the front or top
- Mounting: tool-free
- Special feature: available in special colours
- With shadow gap

Visign for Style 24



Fig. 208: Visign for Style 24 (model 8614.1)

- Material: plastic; acrylic
- Actuation: manual
- Flushing technology: dual flush
- Application: from the front or top
- Mounting: tool-free
- Special feature: available in special colours
- With shadow gap

	Visign for Style 20 Model 8610.1	Visign for Style 21 Model 8611.1	Visign for Style 23 Model 8613.1	Visign for Style 24 Model 8614.1
Material	Plastic	Plastic	Plastic	Plastic
White alpine polished	773 793	773 250	773 151	773 281
Black matt	796 389	801 724	801 731	801 748
Chrome matt	773 786	773 243	773 069	773 274
Chrome-plated	773 779	773 236	773 052	773 267
Black polished			773 175	773 304
Stainless steel coloured			773 168	773 298
Special colour			773 205	773 335
Metallic colour			773 212	773 342
Gold-plated			773 229	773 359
			Acrylic	Acrylic
Black polished/ black matt			773 199	773 311
Black polished/stain- less steel coloured			773 182	773 328

Tab. 93: Overview of Visign for Style – material and versions

Visign for More

Special features:

- Designs in eye-catching colours and high-quality materials
- Suitable for all Prevista cisterns in wet and dry construction
- Easy flush actuation with pleasant feel
- Tool-free mounting, fixing material supplied loose
- Upon customer request, selected articles are available in special colours, e.g. matched to fittings.

Visign for More 200



Fig. 209: Visign for More 200 (model 8620.1)

- Actuation: manual
- Flushing technology: dual flush
- Application: from the front
- Mounting: tool-free
- Special feature: available in special colour

Visign for More 201



Fig. 210: Visign for More 201 (model 8621.1)

- Flush actuation: electronic, manual
- Flushing technology: dual flush
- Application: from the front or top
- Mounting: tool-free
- Special feature: available in special colour, with integrated Hygiene function
- Laser-cut from stainless steel, 1-part
- Accessories: accessory set, electronic, model 8655.11 (mains adapter and drive unit)
- With shadow gap

Visign for More 202



Fig. 211: Visign for More 202 (model 8622.1)

- Flush actuation: electronic, manual
- Flushing technology: dual flush
- Application: from the front
- Mounting: tool-free
- Special feature:
 - With continuous LED lighting
 - With integrated Viega Hygiene function
 - Ergonomically designed actuation knob
 - Available in special colour
- Accessories: accessory set, electronic, model 8655.11 (mains adapter and drive unit)
- With shadow gap





Visign for More 204



Fig. 212: Visign for More 204 (model 8624.1)

- Flush actuation: electronic, manual
- Flushing technology: dual flush
- Application: from the front or top
- Mounting: tool-free
- Special feature
 - With integrated Viega Hygiene function
 - Extremely narrow control elements
 - Available in special colour
- Accessories: accessory set, electronic, model 8655.11 (mains adapter and drive unit)
- With shadow gap
- Polished

Material and versions:

	Visign for More 200 Model 8620.1	Visign for More 201 Model 8621.1	Visign for More 202 Model 8622.1	Visign for More 204 Model 8624.1
				
Material	Metal	Metal	Metal	Metal
Copper/gold-coloured matt	773 601			
Black matt	773 595	773 519		773 656
Black matt/stainless steel brushed				773 670
Stainless steel brushed		773 526		773 663
Stainless steel polished				773 649
White polished		773 502	773 458	
White polished/chrome-plated			773 465	
Special colour	773 618	773 533	773 472	773 687
Metallic colour	773 625	773 540	773 489	773 694
Gold-plated	773 632	773 557	773 496	773 700
Glass				
Black	773 588			
White	773 571			
Timber				
Stained oak	773 564			

Tab. 94: Overview of Visign for More – material and versions

Electronic flush actuation plates with touchless flush actuation

Special features:

- Touchless flush actuation for the highest levels of hygiene – the cistern is actuated by moving the hand towards the plate
- Tool-free mounting, fixing material supplied loose
- With shadow gap

Visign for Style 25



Fig. 213: Visign for Style 25 (model 8615.1)

- Flush actuation: touchless
- Flushing technology: dual flush
- Application: from the front or top
- Mounting: tool-free
- Special feature: with glow-in-the-dark paint (as orientation light in darkness), with integrated Viega Hygiene function
- Accessories: accessory set, electronic, model 8655.11 (mains adapter and drive unit)

Visign for More 205

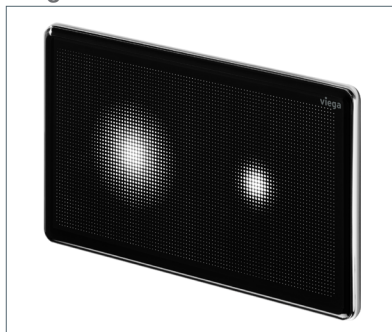

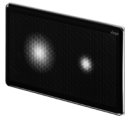


Fig. 214: Visign for More 205 (model 8625.1)

- Flush actuation: touchless
- Flushing technology: dual flush
- Application: from the front or top
- Mounting: tool-free
- Special feature: when approached, the flush plate acts as an orientation light; with integrated Viega hygiene function
- Accessories: accessory set, electronic, model 8655.11 (mains adapter and drive unit)

	Visign for Style 25 Model 8615.1	Visign for More 205 Model 8625.1
		
Material	Plastic	Glass
White	774 356	
Black		774 363

Tab. 95: Overview of electronic flush plates with touchless actuation – material and versions

Visign for Public

Special features:

- Designed to meet the strict requirements in public areas – the flush plates are screwed to the installation frame to prevent them from being pulled off the wall with ease
- Version made of robust stainless steel
- Models 8631.1 and 8635.1 also available as urinal flush plate

Visign for Public 10



Fig. 215: Visign for Public 10 (model 8630.1)

- Material: stainless steel
- Versions: brushed
- Actuation: manual
- Flushing technology: dual flush
- Application: from the front or top
- Special feature: screwable

Visign for Public 11



Fig. 216: Visign for Public 11 (model 8631.1)

- Material: stainless steel
- Versions: brushed, traffic white
- Actuation: manual
- Flushing technology: dual flush
- Application: from the front or top
- Special features: screwable




Visign for Public 12



- Material: stainless steel
- Versions: brushed, traffic white
- Flush actuation: touchless
- Flushing technology: dual flush
- Application: from the front
- Special features: screwable for concealment, with integrated Viega Hygiene function

Fig. 217: Visign for Public 12 (model 8635.1)

Material and versions:

	Visign for Public 10 Model 8630.1	Visign for Public 11 Model 8631.1	Visign for Public 12 Model 8635.1
			
Material	Metal	Metal	Metal
Stainless steel brushed	774 349	774 325	774 370
White		774 332	774 387

Tab. 96: Overview of Visign for Public – material and versions

Visign for Life

Visign for Life 5



Fig. 218: Visign for Life 5 (model 8601.1)

- Material: plastic
- Versions: chrome-plated, white alpine, chrome matt
- Actuation: manual
- Flushing technology: dual flush
- Application: from the front or top
- Special feature: screwable for concealment

Visign for Life 6

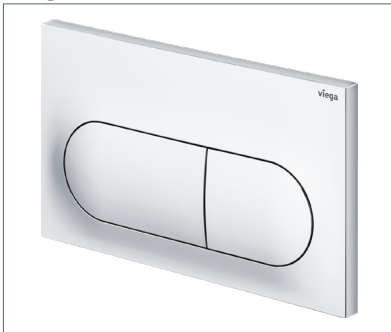




Fig. 219: Visign for Life 6 (model 8602.1)

- Material: plastic
- Versions: chrome-plated, white alpine, chrome matt
- Actuation: manual
- Flushing technology: dual flush
- Application: from the front or top
- Special feature: screwable for concealment

Material and versions:

	Visign for Life 5 Model 8601.1	Visign for Life 6 Model 8602.1
		
Material	Plastic	Plastic
White alpine	773 731	773 762
Chrome matt	773 724	773 755
Chrome-plated	773 717	773 748

Tab. 97: Overview of Visign for Life – material and versions

Remote flush actuation

Special features:

- for positioning anywhere within the bathroom, can be used in both dry and constructions and integrated into the bathroom furniture
- with integrated Viega Hygiene function

WC remote flush actuation Visign for Style 23



Fig. 220: WC remote flush actuation Visign for Style 23 (model 8640.1)

- Material: plastic
- Versions: chrome-plated, alpine white
- Flush actuation: electronic, manual
- Flushing technology: dual flush
- Application: from the front or top
- Accessories: accessory set, electronic, model 8655.11 (mains adapter and drive unit); installation set, model 8640.14

WC remote flush actuation Visign for More 200



Fig. 221: WC remote flush actuation Visign for More 200 (model 8641.1)

- Material: glass
- Versions: traffic white, black
- Flush actuation: electronic, manual
- Flushing technology: dual flush
- Application: from the front or top
- Accessories: accessory set, electronic, model 8655.11 (mains adapter and drive unit); installation set, model 8640.14

	Visign for Style 23 Model 8640.1	Visign for More 200 Model 8641.1
Material	Plastic	
White alpine	773 083	
Chrome-plated	773 076	
		Glass
Black		773 106
White		773 090


Tab. 98: Overview of WC remote flush actuations – material and versions

Accessory set electronic



Fig. 222: Accessory set electronic model 8655.11

The electronic accessory set (model 8655.11), combined with an electronic flush plate, is required for the electronic flush actuation. The motor unit is placed on the mechanical block of the site protection plate. In addition, the flush volumes and the Viega Hygiene function are set on the drive unit, see „Setting options“ on page 78.

Model	Art. no.	QR code
8655.11	783 952	

Tab. 99: Overview of accessory set, model 8655.11

Additional accessories

The WC flush plates can be equipped with further accessories.

The tile-level installation frame, model 8651.1, cannot be combined with the Prevista Pure system (wet construction).

	WC installation frame for Prevista with LED lighting Model 8650.1	WC installation frame for Prevista tile-level Model 8651.1	WC tablet holder for Prevista Model 8653.1
Visign for Life 5 8601.1			
Visign for Life 6 8602.1			
Visign for Style 20 8610.1		✓	✓
Visign for Style 21 8611.1		✓	✓
Visign for Style 23 8613.1			✓
Visign for Style 24 8614.1		✓ ¹⁾	✓
Visign for More 200 8620.1			✓
Visign for More 201 8621.1	✓	✓	✓
Visign for More 202 8622.1		✓	✓
Visign for More 204 8624.1	✓	✓	✓
Visign for Style 25 sensitive 8615.1			✓
Visign for More 205 sensitive 8625.1			✓
Visign for Public 10 8630.1			
Visign for Public 11 8631.1			
Visign for Public 12 8635.1			

¹⁾ The Visign for Style 24 versions, art. no. 773 311 and 773 328 cannot be combined

Tab. 100: Combination options – flush plates with accessories


Tile-level WC installation frame

WC flush plates Visign for Style 20, 21 and 24 (exception: acrylic versions) and versions Visign for More 201, 202 and 204 can optionally be equipped with a tile-level installation frame. This installation frame can be inserted into the pre-wall flush with the surface of the tiles.

The WC installation frame is suitable only for dry construction.



Fig. 223: Tile-level WC installation frame for Prevista (model 8651.1)

Model	Art. no.	QR code
8651.1	775 810	

Tab. 101: Overview of WC installation frame, model 8651.1



WC ele- ment	WC flush plate (model)															
	Visign for Life (VfL)				Visign for Style (VfS)				Visign for More (VfM)				Visign for Public (VfP)			
	VfL 5 8601.1	VfL 6 8602.1	VfS 20 8610.1	VfS 21 8611.1	VfS 23 8613.1	VfS 24 8614.1 ¹⁾	VfS 25 8615.1	VfM 200 8620.1	VfM 201 8621.1	VfM 202 8622.1	VfM 204 8624.1	VfM 205 8625.1	VfP 10 8630.1	VfP 11 8631.1	VfP 12 8635.1	
Dry																
8521			✓	✓		✓ ¹⁾			✓	✓						
8522			✓	✓		✓ ¹⁾			✓	✓						
8530			✓	✓		✓ ¹⁾			✓	✓						
8533			✓	✓		✓ ¹⁾			✓	✓						
8521.32			✓	✓		✓ ¹⁾			✓	✓						
8522.31			✓	✓		✓ ¹⁾			✓	✓						
8522.33			✓	✓		✓ ¹⁾			✓	✓						
8874.9			✓	✓		✓ ¹⁾			✓	✓						
8524			✓	✓		✓ ¹⁾			✓	✓						
Pure																
8512																
8516																
8512.31																

¹⁾The Visign for Style 24 versions, art. no. 773 311 and 773 328 cannot be combined

Tab. 102: Combination overview for tile-level WC installation frame, model 8651.1

The tile-level installation frame, model 8651.1, cannot be combined with the Prevista Pure system (wet construction)!

WC LED installation frame


The WC flush plates Visign for More 201 and 204 can be optionally fitted with an LED installation frame. When the WC flush plate is approached, the LED installation frame illuminates and hence provides a useful orientation point in the bathroom in the dark.



Fig. 224: WC installation frame for Prevista with LED lighting (model 8650.1)

Components required:

- WC flush plate Visign for More 201 or 204 (model 8621.1 or model 8624.1)
- LED installation frame, model 8650.1
- Accessory set, electronic, model 8655.11

Model	Art. no.	QR code
8650.1	775 803	

Tab. 103: Overview of WC LED installation frame, model 8650.1

WC ele- ment	WC flush plate (model)													
	Visign for Life (VfL)			Visign for Style (VfS)			Visign for More (VfM)			Visign for Public (VfP)				
	VfL 5 8601.1	VfL 6 8602.1	VfL 20 8610.1	VfS 21 8611.1	VfS 23 8613.1	VfS 24 8614.1 ^{*)}	VfM 200 8620.1	VfM 201 8621.1	VfM 202 8622.1	VfM 204 8624.1	VfM 205 8625.1	VfP 10 8630.1	VfP 11 8631.1	VfP 12 8635.1
Dry								✓						
8521								✓						
8522								✓						
8530								✓						
8533								✓						
8521.32								✓						
8522.31								✓						
8522.33								✓						
8874.9								✓						
8524								✓						
Pure														
8512								✓						
8516								✓						
8512.31								✓						

Tab. 104: Combination overview of LED installation frame, model 8650.1, actuation from the front

Tablet holder

The WC tablet holder dispenses a commercially available, chlorine-free cleaning tablet into the cistern through the opening in the WC flush plate. The tablet holder can be combined with all WC flush plates. The cleaning tablet remains in the flushing water until completely dissolved, thereby promoting WC hygiene.



Fig. 225: WC tablet holder for Prevista (model 8653.1)

Can be combined with:

- WC flush plate, model 8610.1, 8611.1, 8613.1, 8614.1, 8615.1, 8620.1, 8621.1, 8622.1, 8624.1 or 8625.1

Model	Art. no.	QR code
8653.1	773 366	

Tab. 105: Overview of WC tablet holder, model 8653.1

WC element	WC flush plate (model)														
	Visign for Life (VfL)			Visign for Style (VfS)			Visign for More (VfM)			Visign for Public (VfP)					
	VfL 5	VfL 6	VfS 20	VfS 21	VfS 23	VfS 24	VfS 25	VfM 200	VfM 201	VfM 202	VfM 204	VfM 205	VfP 10	VfP 11	VfP 12
	8601.1	8602.1	8610.1	8611.1	8613.1	8614.1 ¹⁾	8615.1	8620.1	8621.1	8622.1	8624.1	8625.1	8630.1	8631.1	8635.1
Dry															
8521			✓	✓	✓	✓	✓	✓	✓	✓	✓	✓	✓	✓	✓
8522			✓	✓	✓	✓	✓	✓	✓	✓	✓	✓	✓	✓	✓
8530			✓	✓	✓	✓	✓	✓	✓	✓	✓	✓	✓	✓	✓
8533			✓	✓	✓	✓	✓	✓	✓	✓	✓	✓	✓	✓	✓
8521.32			✓	✓	✓	✓	✓	✓	✓	✓	✓	✓	✓	✓	✓
8522.31			✓	✓	✓	✓	✓	✓	✓	✓	✓	✓	✓	✓	✓
8522.33			✓	✓	✓	✓	✓	✓	✓	✓	✓	✓	✓	✓	✓
8874.9			✓	✓	✓	✓	✓	✓	✓	✓	✓	✓	✓	✓	✓
8524			✓	✓	✓	✓	✓	✓	✓	✓	✓	✓	✓	✓	✓
Pure															
8512			✓	✓	✓	✓	✓	✓	✓	✓	✓	✓	✓	✓	✓
8516			✓	✓	✓	✓	✓	✓	✓	✓	✓	✓	✓	✓	✓
8512.31			✓	✓	✓	✓	✓	✓	✓	✓	✓	✓	✓	✓	✓

Tab. 106: Combination overview of WC tablet holder, model 8653.1, actuation from the front

Redundant power supply for WC flush plates

A redundant power supply is ensured by a battery compartment (model 8570.56) and a cable adapter (model 8570.57) to cover the eventuality of a power failure. A standard type CR-P2 6.0 V battery is required for this.



Fig. 226: Adapter (model 8570.57)

Battery operation of electronic WC flush plates

Viega recommends a permanent 230 V power supply for the flush plates. If there is no connection to the power supply, the following WC flush plates can also be operated in case of need (e.g. renovation) in combination with a battery compartment (model 8570.56):

- Visign for More 201, model 8621.1
- Visign for More 204, model 8624.1
- WC remote flush actuation Visign for More 200, model 8641.1
- WC remote flush actuation Visign for Style 23, model 8640.1



Fig. 227: Battery compartment (model 8570.56)

Urinal flush plates

All Prevista Dry urinal elements contain the same water paths. This allows all available urinal flush plates to be used for the urinal elements.

If an electronic flush plate with infrared actuation is to be installed, an electrical connection is required and must be provided on-site.

For more information on the Prevista Dry urinal elements, see „Urinal elements“ on page 133.

Visign for Style

Visign for Style 20



Fig. 228: Visign for Style 20 (model 8610.2)

- Material: plastic
- Versions: chrome-plated, alpine white, chrome matt
- Actuation: manual
- Mounting: tool-free



Visign for Style 21



Fig. 229: Visign for Style 21 (model 8611.2)

- Material: plastic
- Versions: chrome-plated, alpine white, chrome matt
- Actuation: manual
- Mounting: tool-free






Visign for Style 23


- Material: plastic
- Versions: chrome-plated, alpine white, chrome matt, jet black, stainless steel coloured, matt jet black
- Actuation: manual
- Mounting: tool-free
- With shadow gap



Fig. 230: Visign for Style 23 (model 8613.2)

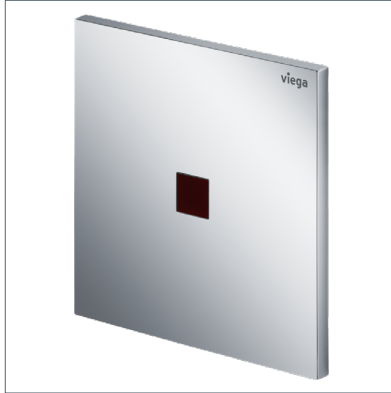
Material and versions:

	Visign for Style 20 Model 8610.2	Visign for Style 21 Model 8611.2	Visign for Style 23 Model 8613.2
			
Material	Plastic	Plastic	Plastic
White alpine	774 493	774 523	774 554
Chrome matt	774 486	774 516	774 547
Chrome-plated	774 479	774 509	774 530
Black polished			774 578
Stainless steel coloured			774 561
Acrylic			
Black polished/ black matt			774 592
Black polished/ stainless steel coloured			774 585

Tab. 107: Overview of Visign for Style – material and versions

Visign for More

Visign for More 200




- Electronic actuation, connecting material enclosed
- incl. Hygiene function (time-controlled automatic flushing)
- Flush actuation: touchless
- Connection: Mains voltage 100–240 V AC/50–60 Hz
- Mounting: tool-free
- With shadow gap



Fig. 231: Visign for More 200 (model 8620.2)

Material and versions:

Visign for More 200 Model 8620.2	
	
Material	Plastic
White alpine	774 639
Chrome-plated	774 622
Stainless steel coloured	774 646
	Glass
Black	774 677
White	774 660
	Timber
Stained oak	774 653

Tab. 108: Overview of Visign for More – material and versions

Visign for Public

Visign for Public 11



- Material: stainless steel
- Versions: brushed, white
- Actuation: manual
- Mounting: tool-free
- Special feature: screwable



Fig. 232: Visign for Public 11 (model 8631.2)

Visign for Public 12





- Material: stainless steel
- Versions: brushed, white
- Flush actuation: touchless
- Connection: Mains voltage 100–240 V AC/50–60 Hz
- Mounting: tool-free
- Special feature: screwable



Fig. 233: Visign for Public 12 (model 8635.2)

Material and versions:

	Visign for Public 11 Model 8631.2	Visign for Public 12 Model 8635.2
		
Material	Metal	Metal
Stainless steel brushed	774 608	774 684
White	774 615	774 691

Tab. 109: Overview of Visign for Public – material and versions

Accessories

Tile-level urinal installation frame

The urinal flush plates Visign for Style 20, 21 and Visign for More 200 can be mounted at tile level. The tile-level installation frame (model 8651.2) is required for this purpose.

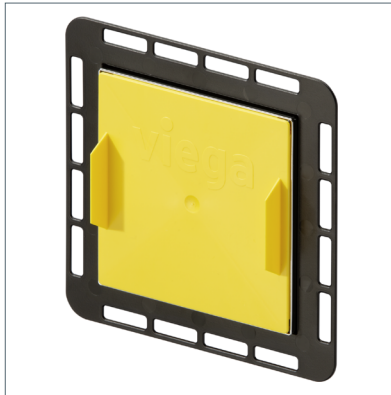


Fig. 234: Urinal installation frame for tile-level Prevista (model 8651.2)

Urinal element	Urinal flush plate (model)					
	Visign for Style 20 (8610.2)	Visign for Style 21 (8611.2)	Visign for Style 23 (8613.2)	Visign for More 200 (8620.2)	Visign for Public 11 (8631.2)	Visign for Public 12 (8635.2)
Dry						
8560.32	✓	✓		✓		
8560	✓	✓		✓		
8560.31						
Pure						
8566						

Tab. 110: Combination overview of tile-level urinal installation frame, model 8651.2

Prevista pipe connections

Product range overview

Wall plate for Prevista



- For Prevista pre-wall system, Prevista plug-in seat screw fitting
- Silicon bronze
- Rp-thread, G-thread
- Cutable

Fig. 235: Model 8055.2

Model	Art. no.	G	L	RP	QR code
8055.2	785 178	1/2	88.5 mm	1/2	

Tab. 111: Overview of wall plate, model 8055.2

The washbasin and bidet elements are connected specifically for the Prevista pre-wall system using a long wall plate. The connection to the piping system is made similarly to the connections of the cistern and urinal fittings with plug-in seat. This offers the same advantages for mounting. The wall plate has to penetrate the cladding level and is therefore made especially long. Thanks to the long design, separating points within the pre-wall are avoided and unsecure connections in the pre-wall are ruled out. When using an 18 mm gypsum plasterboard, the connection is 10 mm in front of the cladding panel. In addition, there is the material thickness of the tile and with adhesive.

Raxofix adapter with SC-Contur



- For Prevista pre-wall system
- In combination with wall plate for Prevista, model 8055.2
- Silicon bronze
- Press connection, Prevista plug-in seat

Fig. 236: Model 5311.8

Model	Art. no.	G	d	QR code
5311.8	776 732	½	16	

Tab. 112: Overview of adapter, model 5311.8

Raxofix adapter elbow 90° with SC-Contur



- For Prevista pre-wall system
- In combination with wall plate for Prevista, model 8055.2
- Silicon bronze
- Press connection, Prevista plug-in seat

Fig. 237: Model 5316.8

Model	Art. no.	G	d	QR code
5316.8	776 749	½	16	


Tab. 113: Overview of adapter elbow, model 5316.8

Raxofix adapter with SC-Contur



- For Prevista pre-wall system
- In combination with wall plate for Prevista, model 8055.2
- Silicon bronze
- Press connection, Prevista plug-in seat

Fig. 238: Model 5318.8

Model	Art. no.	d1	G	d2	QR code
5318.8	776 855	16	½	16	
	776 862	20	½	20	


Tab. 114: Overview of adapter, model 5318.8

Raxofix extension piece with SC-Contur



- For Prevista pre-wall system
- In combination with wall plate for Prevista, model 8055.2
- Silicon bronze
- Press connection, Prevista plug-in seat
 - For looping through the piping

Fig. 239: Model 5325.78

Model	Art. no.	d1	G	d2	QR code
5325.78	797 096	16	1/2	16	
	797 102	20	1/2	20	
	797 119	25	1/2	25	

Tab. 115: Overview of extension piece, model 5325.78

As a further addition, Raxofix connectors in h-form are available for connecting the wall plates for the piping system. In order to fulfil the highest hygiene requirements, the h-form connectors allow the lines to be looped through. They also ensure collision-free pipe laying next to the wastewater pipe and standards-compliant insulation.

FURTHER INFORMATION

Configurators

Viega flush plate configurator

Web application for simple, quick identification and visualisation of the appropriate flush plate for the bathroom design on PC and tablet.

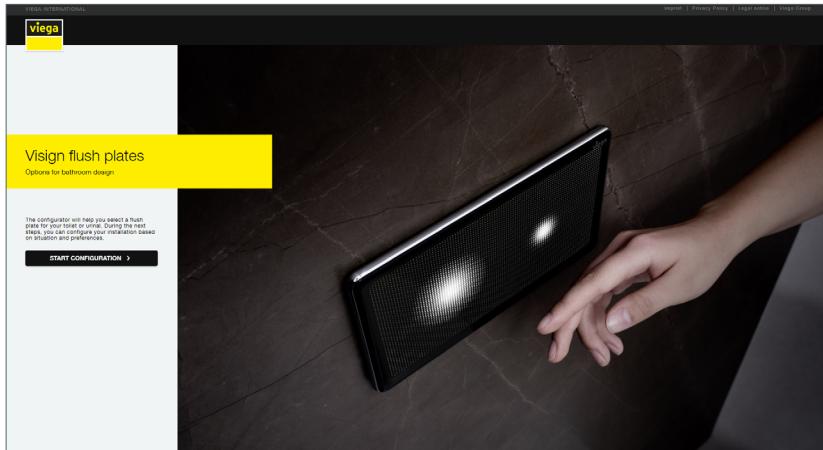


Fig. 240: Title screen – flush plate configurator

Performance features:

- Selection of WC and urinal flush plates
- Configuration of design and material with colours and tiles with 3D preview
- Selection of suitable pre-wall modules and accessories
- Output of material list and notes on the relevant pre-wall system

Search criteria:

- Material: plastic, acrylic, metal, glass, wood
- Actuation
 - Manual
 - Touchless
 - Additional remote flush actuation
 - Viega Hygiene function
 - Electronic
- Appearance
 - With tile-level installation frame
 - With LED lighting
- Colour selection (with the option of special colours and metallic colours)
- Pre-wall selection
 - Pre-wall system
 - WC element

flushplates.viega.com/#/

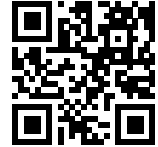


Useful links

Product data

BIM data

[viega.com/BIM](https://www.viega.com/BIM)



Viega website

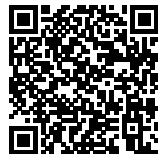
Pre-wall technology applications

[viega.com/en/products/topics/visign.html](https://www.viega.com/en/products/topics/visign.html)



Online catalogue

[viega.com/en/products/Catalogue/Pre-wallflushing-technology.html](https://www.viega.com/en/products/Catalogue/Pre-wallflushing-technology.html)



INDEX

A

Area

- Protected zone 71
- Shower 116
- Washbasin 113
- WC 110

B

Battery compartment 91, 179

BIM data 190

Block

- Washbasin 158
- WC 156–157

Bracket

- Load 117
- Standing bracket 61, 160
- Support bracket 20

C

Cistern 63

Configurators

- Viega flush plate configurator 189

Connection

- Electronics see Mains adapter
- Pipe 70, 185–188
- Shower WC 67–72
- Wastewater 70

Corner mounting 19, 45

D

DIP switch 78, 90

Dowel 106–107

Dry construction

- Conventional 12
- Quality grades 96, 98
- Wall 17–18, 108
- With rail system 42

F

- Fire protection 119
- Fitting holders 150
- Fixing 97, 104
 - Floor 104
 - Prevista Dry 141
 - Prevista Dry Plus 59, 155
 - Wall *see* Dowel
- Floor support set 139
- Flush actuation
 - Concealed 75, 134
 - Electronic 87
 - External 83–84
 - Manual 87, 92
 - Touchless *see* Infrared actuation
- Flushing throttle 65, 66
- Flush plate *see* Urinal flush plate; *see* WC flush plate

H

- Handle 110–111, 118
- Hygiene function 78

I

- Infrared actuation
 - Urinal flush plate 89
 - WC flush plate 166
- Installation frame
 - Urinal 184
 - WC 81, 173, 175
- Integral planning *see* BIM data

L

- Load 119

M

- Mains adapter 71–73
- Maintenance 63, 66
- Mirror 114

O

- Online catalogue 190

P

Partition see *Wall*

Plate

- Cladding 93–97
- Plywood 97, 109
- Urinal see *Urinal flush plate*
- WC see *WC flush plate*

Prevista Dry 12

- Installation depth 36
- Mounting versions 12–19
- Sample installations 21–34
- System description 12
- Urinal element see *Urinal element*
- Washbasin element see *Washbasin element*
- WC element see *WC element*

Prevista Dry Plus 42

- Installation depth 54–57
- Mounting versions 43–47
- Sample installations 46–53
- System description 42
- Tool 58

Prevista Pure 60

- Mounting versions 60–61
- Structural design 60
- System description 60

R

Radio receiver 83–84

Rail

- Complete package 145
- Connector 151
- Mounting rail 59, 146
- Punch 152

Remote flush actuation 170

Room partition 44, 56

S

Sealing 99 *siehe* **Sealing**

- Bath 103
- Cutting edge 101
- Floor breakthrough 101

Sound protection 120

Stud frame

- Metal 13
- Timber 14

Support set 140

T

Tablet holder 177

U

Urinal element 133–135
 Replacing crossbeam 76
 Telescopic water connection 135
Urinal flush plate 180
 Circuit diagram 91
 Installation 74–75, 91
 System description 88
Urinal module 149
Urinal water pipe section 91, 159

V

Valve
 Drain valve 66
 Filling valve 65

W

Wall
 Partition 44, 54, 57
 Self-supporting 44
Washbasin element
 Barrier-free 31, 115, 130–131
 Building project version 138
 Flexible crossbeam setting 128–129
 Height-adjustable 132
Washbasin module 147–148
WC element
 Barrier-free 21–28, 46–53, 112
 Building project version 137
 Height-adjustable 125–127
 With shower WC connection 122–124
WC flush plate 161
 Combination options 77
 Sample installations 79
Wet construction 60



Viega GmbH & Co. KG

Viega Platz 1

57439 Attendorn

Germany

Phone +49 (0) 2722 61-0

viega.com

· 2021-10 · V1 · VPN200259

