

## PAN

ZP6123

Miscelatore monocomando lavabo incasso 2 fori. / 2 hole built-in single lever basin mixer.



Miscelatore monocomando lavabo incasso 2 fori con aeratore. Lunghezza bocca 230 mm.  
Water Saving - portata d'acqua uguale o inferiore a 6 l/min.

2 hole built-in single lever basin mixer with aerator. Spout projection 230 mm.  
Water Saving - water flow rate of 6 l/min or less.

R99499

Parte incasso. / Built-in part.



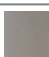
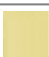
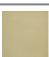
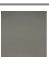
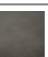





R99815

Parte incasso. / Built-in part.



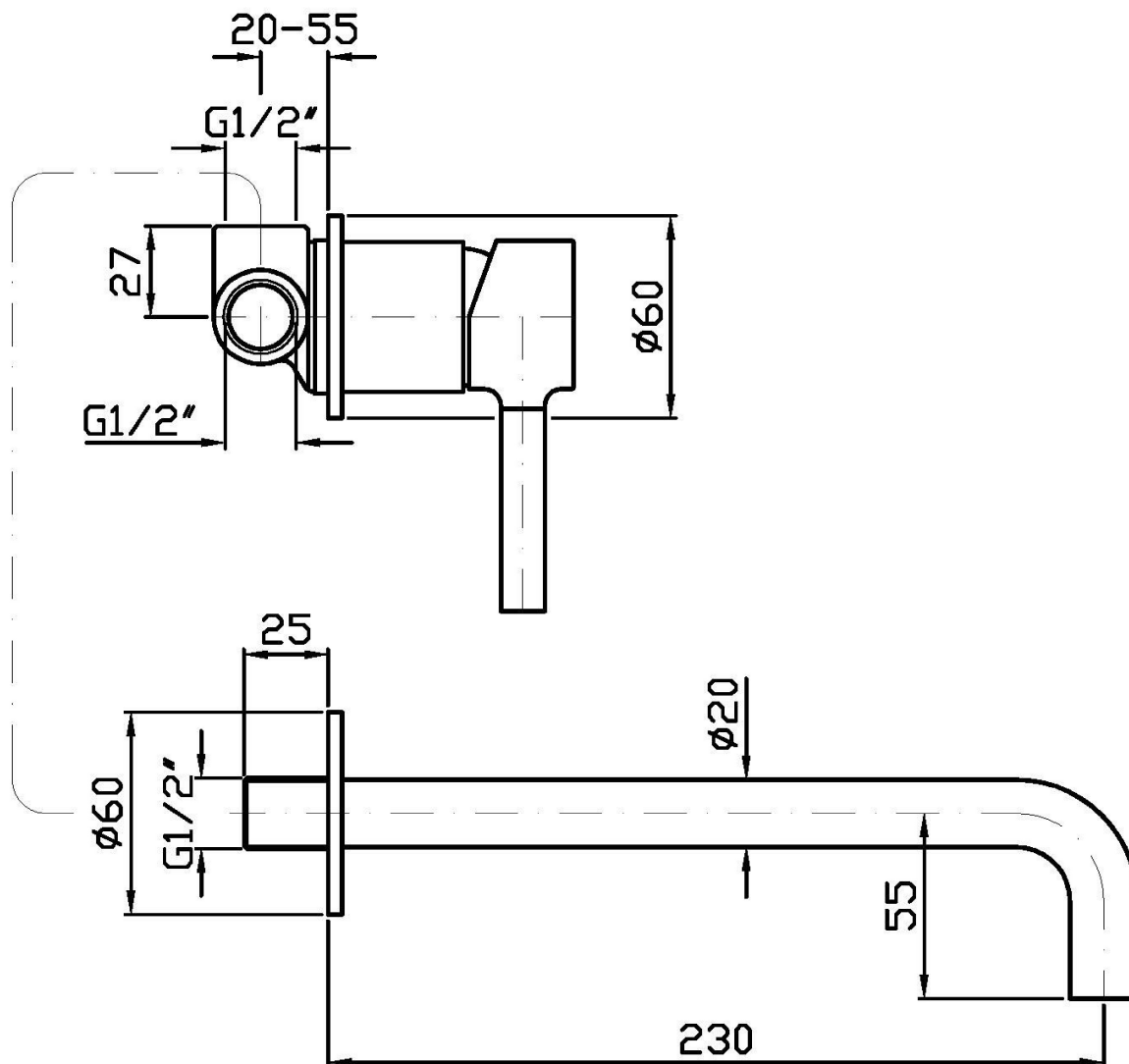
## Finiture / Finishes

	 C3 Nickel Spazzolato / Brushed Nickel	 C8 Nickel Lucido / Polished Nickel	 C40 Oro / Gold	 C41 Oro spazzolato / Brushed Gold	 C50 Metal Black / Metal Black	 C51 Metal Black spazzolato / Brushed Metal Black	 W1 Bianco Opaco Goffrato / Embossed Matt White
 N1 Nero Opaco Goffrato / Embossed Matt Black	 N6 Nero opaco / Matt black						

## PAN

ZP6123

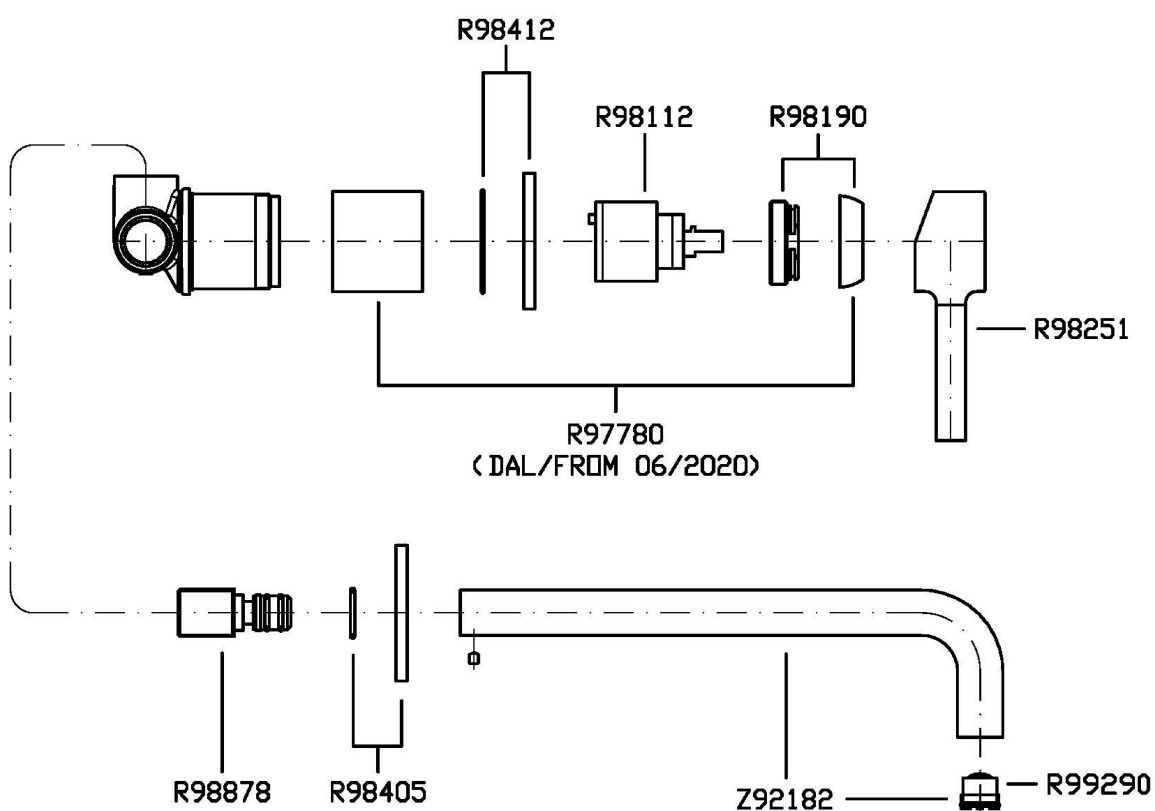
Disegno Complessivo / Overall Drawing



## PAN

ZP6123

Esplosi / Exploded



## PAN

ZP6123

Certificazioni / Certifications

SINGAPORE

SINGAPORE

PUB

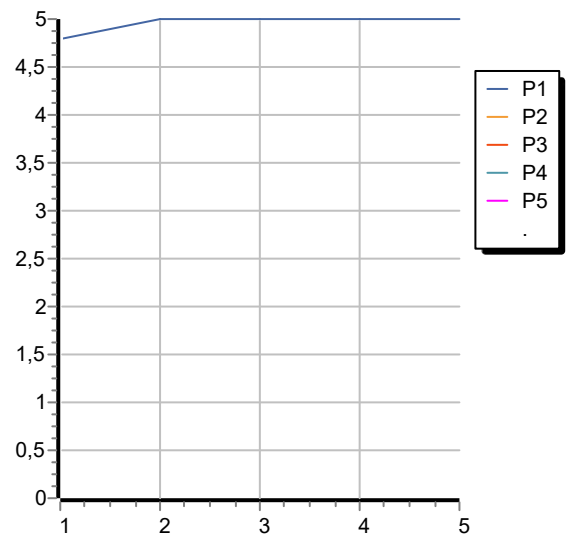
SETSCO

## PAN

ZP6123

Portate / Flowrates (lt/min)

PRESSIONE PRESSURE	1 BAR	2 BAR	3 BAR	4 BAR	5 BAR
LAVABO BASIN <i>P1</i>	4,8	5	5	5	5
<i>P2</i>					
<i>P3</i>					
<i>P4</i>					
<i>P5</i>					



## PAN

ZP6123

Pesi e Misure / Weights and Sizes

Peso ( Kg ) Weight ( lb )	0,91 ( Kg )	2,01 ( lb )
Volume test ( dc3 ) - ( in3 )	3,32 ( dc3 )	202,60 ( in3 )
h ( mm ) - ( in )	93,00 ( mm )	3,66 ( in )
L1 ( mm ) - ( in )	162,00 ( mm )	6,38 ( in )
L2 ( mm ) - ( in )	220,00 ( mm )	8,66 ( in )

