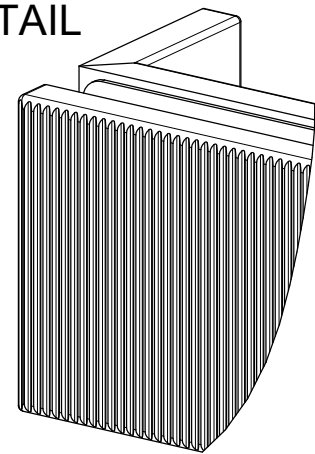


TEXTURE DETAIL



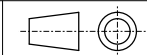
GESSI

SHOWER G 67505

MORSETTO MURO-VETRO RIGATO

Formato

A4



Dis.: GPF6750510000G000

Gessi S.p.A. Parco Gessi, 13037 Serravalle Sesia (Vercelli) Italy Tel.0039 0163 454111 Fax.0039 0163 453150 www.gessi.com e-mail:gessi@gessi.it

This drawing by its legislation cannot be disclosed or reproduced without a written authorization released by GESSI S.p.A. - 2023 Copyright® GESSI S.p.A.