

## OCTO

ZOC660

Termostatico incasso doccia, con 2 rubinetti d'arresto. / Built-in thermostatic shower mixer with 2 stop valves.



Termostatico incasso doccia da 1/2", con 2 rubinetti d'arresto. Installazione possibile sia in verticale che in orizzontale.  
1/2" built-in thermostatic shower mixer with 2 stop valves. Both vertical and horizontal installation possible.

R97821

Parte incasso. / Built-in part.



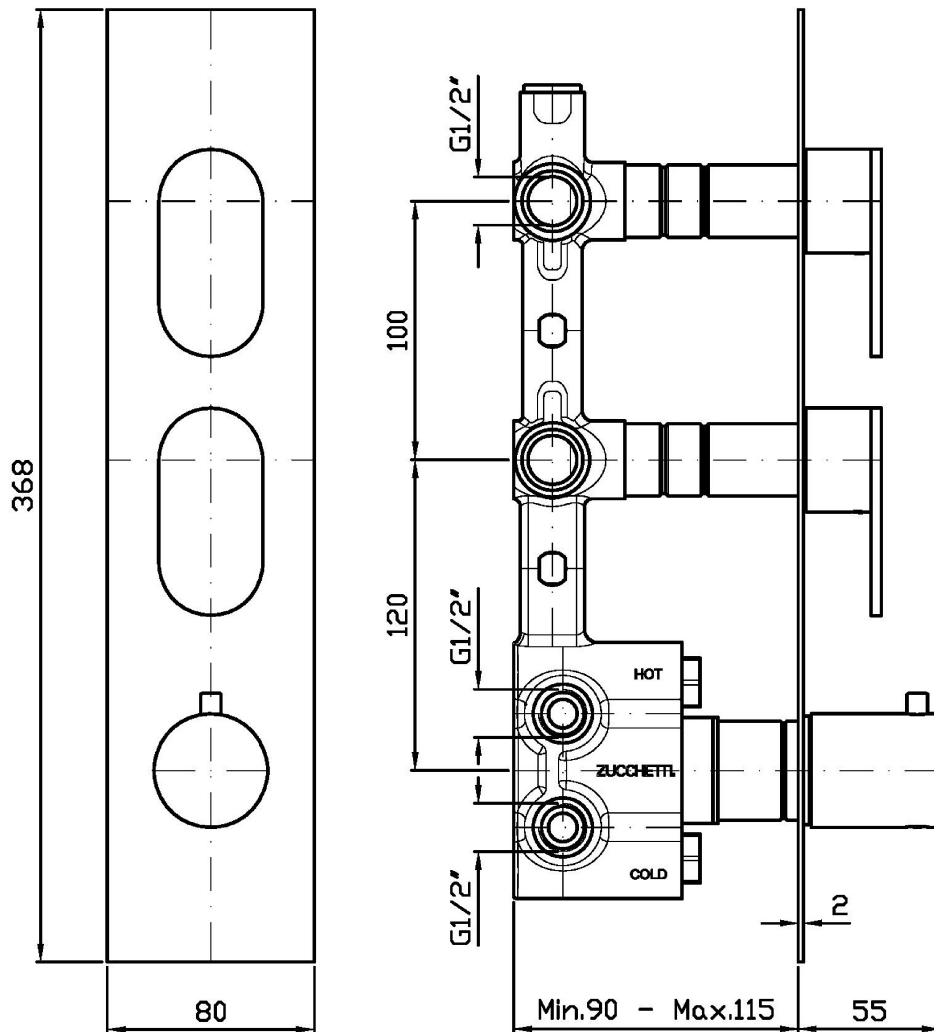
## Finiture / Finishes

 Croma / Chrome	 C3 Nickel Spazzolato / Brushed Nickel	 C8 Nickel Lucido / Polished Nickel	 C50 Metal Black / Metal Black	 C51 Metal Black spazzolato / Brushed Metal Black	 N6 Nero opaco / Matt black	 P21 PVD brushed chocolate / PVD brushed chocolate
 P31 Brushed PVD British gold / Brushed PVD British gold	 P41 PVD Oro Spazzolato / PVD Brushed Gold	 P81 Brushed total black PVD / Brushed total black PVD	 P91 Brushed PVD Copper / Brushed PVD Copper			

## OCTO

ZOC660

Disegno Complessivo / Overall Drawing

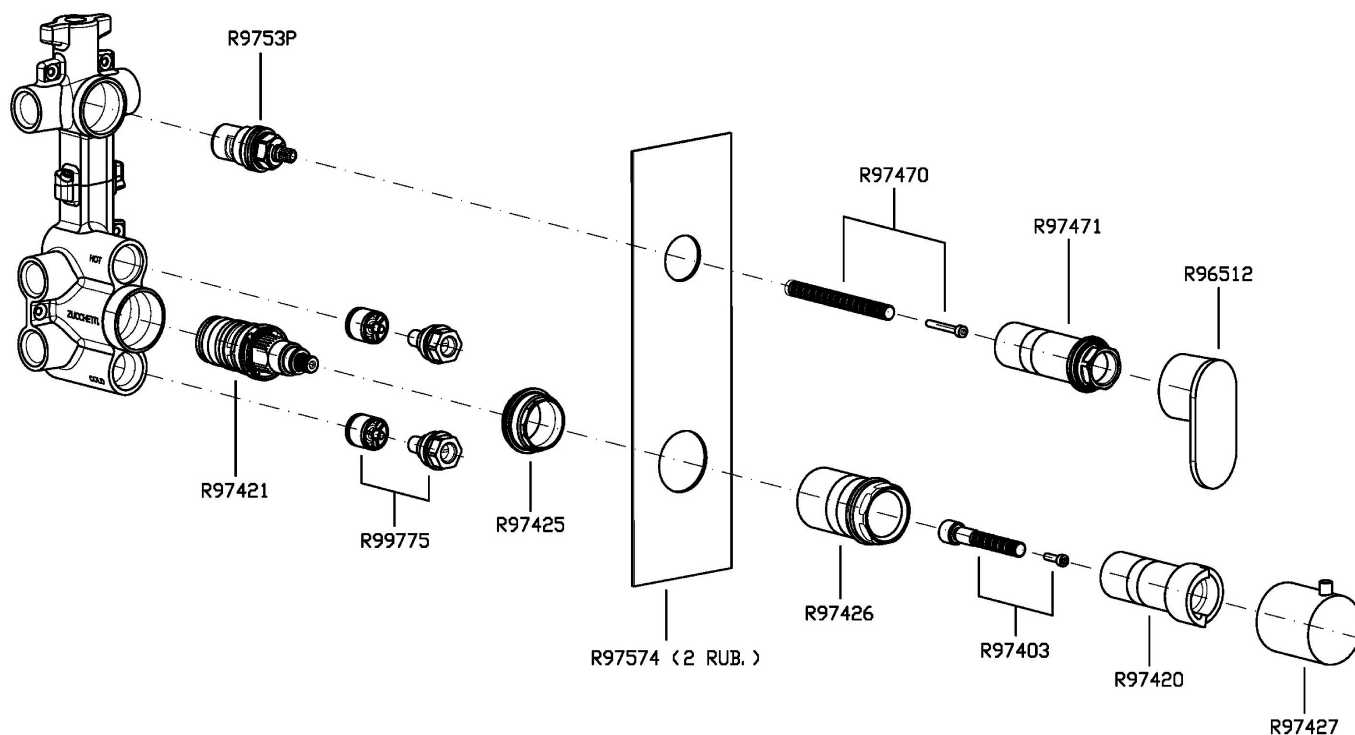


Note / Notes

## OCTO

ZOC660

Esplosi / Exploded

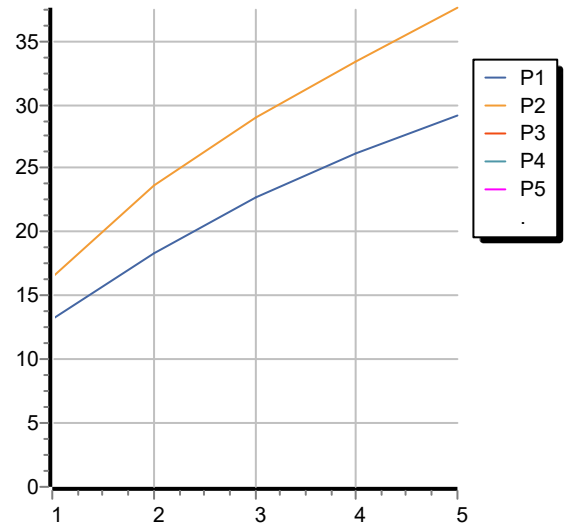


## OCTO

ZOC660

Portate / Flowrates (lt/min)

PRESSIONE PRESSURE	1 BAR	2 BAR	3 BAR	4 BAR	5 BAR
1 RUBINETTO APERTO <i>P1</i>	13,2	18,4	22,7	26,2	29,2
2 RUBINETTI APERTI 2 TAPS OPENED <i>P2</i>	16,5	23,6	29	33,3	37,6
<i>P3</i>					
<i>P4</i>					
<i>P5</i>					



## OCTO

ZOC660

Pesi e Misure / Weights and Sizes

Peso ( Kg ) Weight ( lb )	0,00 ( Kg )	0,00 ( lb )
Volume test ( dc3 ) - ( in3 )	11,01 ( dc3 )	671,87 ( in3 )
h ( mm ) - ( in )	90,00 ( mm )	3,54 ( in )
L1 ( mm ) - ( in )	335,00 ( mm )	13,19 ( in )
L2 ( mm ) - ( in )	365,00 ( mm )	14,37 ( in )

