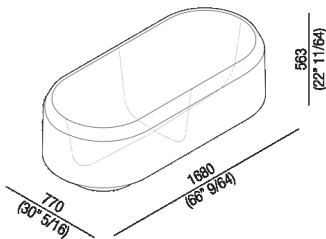






Bathtub
 AVAS1080_

Patricia Urquiola, 2015

Cristalplant® biobased compact
 free-standing bathtub.



Materials

-  Cristalplant®
-  Marble

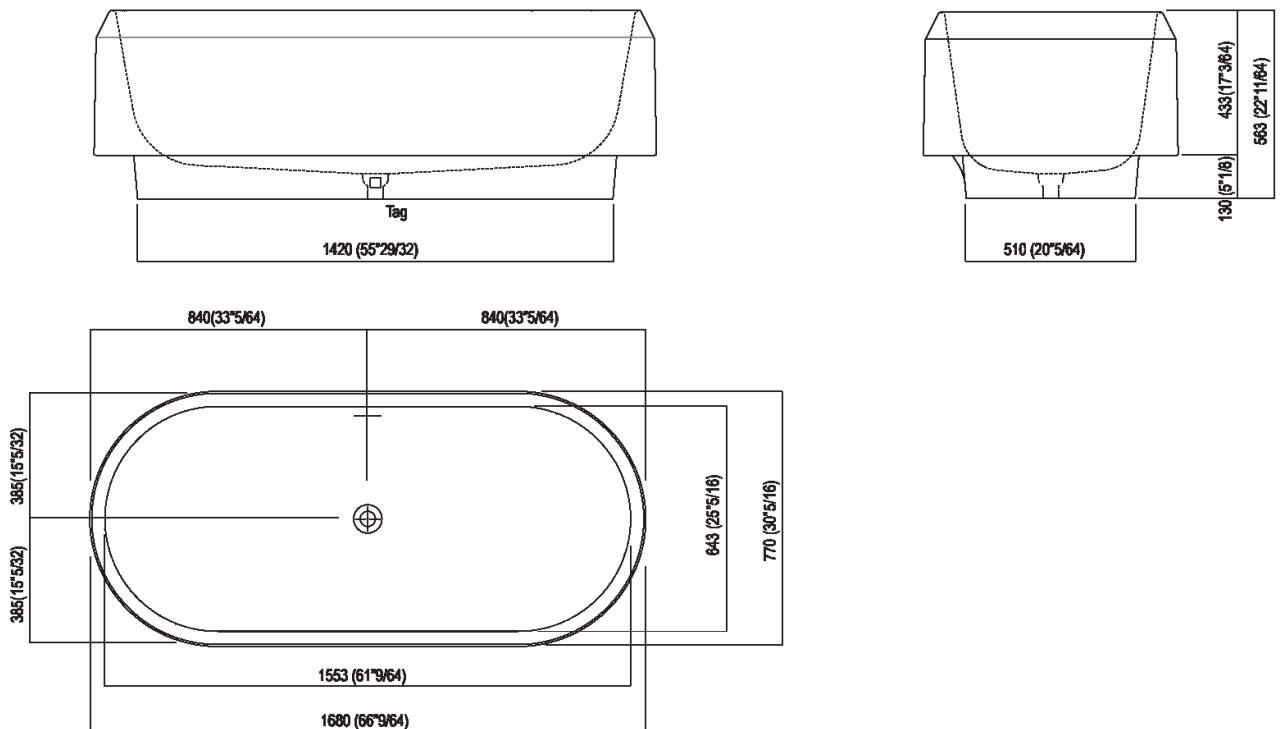


Bathtub in white Cristalplant® or two colourd (exterior in dark grey RAL7021 or light grey RAL7044); with overflow hole, without tap holes; taps can be wall or floor mounted. It is fitted with a waste with cap in white Cristalplant® .MET0725C (also suitable for bathtubs in display). The two-coloured model can be made in colours chosen by the client with a surcharge of 15% on the price of the two-coloured finish. For an easier installation of the bathtubs we recommend to use the template for the positioning of the waste trap AKITPZVAS.

Height:	56.3 cm	22" 11/64 inches
Length:	168 cm	66" 9/64 inches
Weight:	110 kg	243 lbs
Depth:	77 cm	30" 5/16 inches
Capacity:	320 l	85 gal
Packaging:	100 x 200 x 82 cm	39" 3/8 x 78" 3/4 x 32" 1/4 inches
Total weight:	150 kg	331 lbs

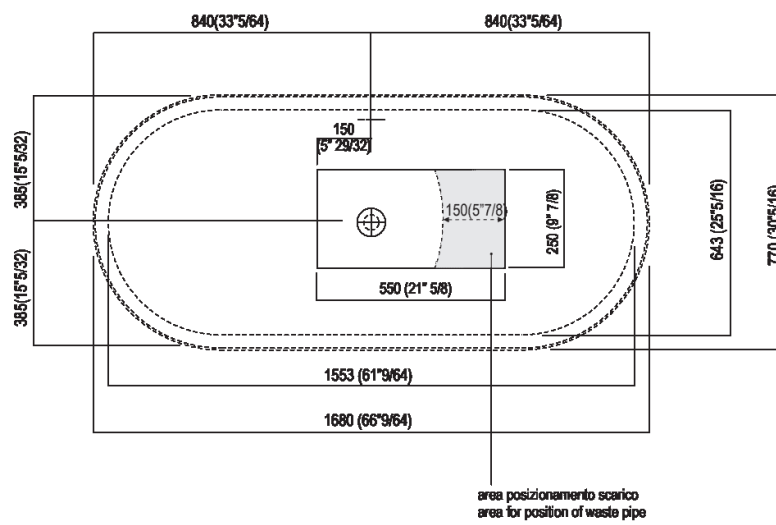


Dimensioni principali



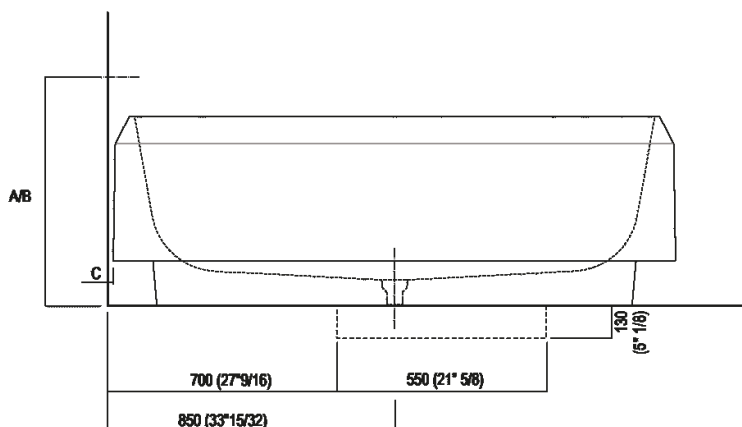
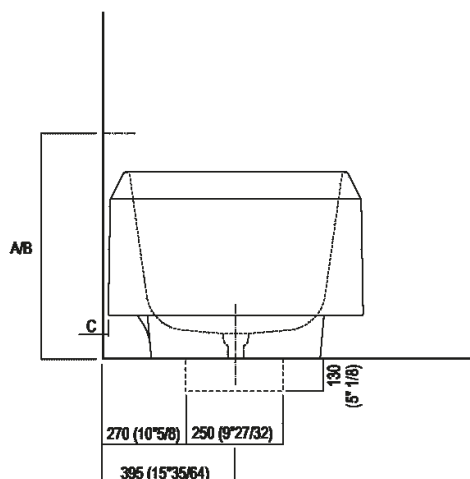


Dimensions for recess





Dimension for wall mounted taps

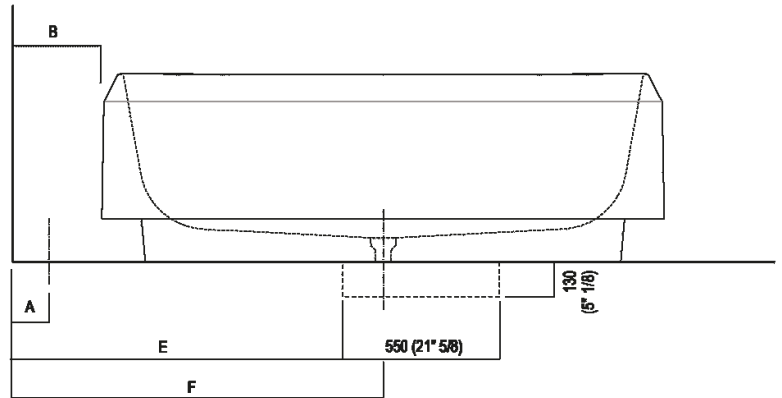
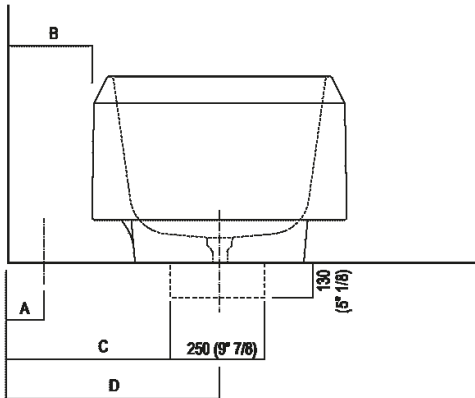


	A*	B**	C
FEZ 2 (EFEZ027)	713 (28 ⁵ / ₆₄)	-	80 (3 ⁵ / ₃₂)
LIMÓN (ELIM443)	713 (28 ⁵ / ₆₄)	-	80 (3 ⁵ / ₃₂)
MEMORY (EMEM324, EMEM343)	713 (28 ⁵ / ₆₄)	-	80 (3 ⁵ / ₃₂)
(EMEM342)	713 (28 ⁵ / ₆₄)	-	50 (1 ³¹ / ₃₂)
MEMORY MIX (EMIX437)	713 (28 ⁵ / ₆₄)	-	50 (1 ³¹ / ₃₂)
SQUARE (ERUB1117)	-	713 (28 ⁵ / ₆₄)	50 (1 ³¹ / ₃₂)
SQUARE (ERUB1118)	-	713 (28 ⁵ / ₆₄)	80 (3 ⁵ / ₃₂)
SEN (ESEN0912V)	-	713 (28 ⁵ / ₆₄)	50 (1 ³¹ / ₃₂)

* inserasse gruppo / axial distance for tap
** filo inferiore gruppo / Tap's lower edge



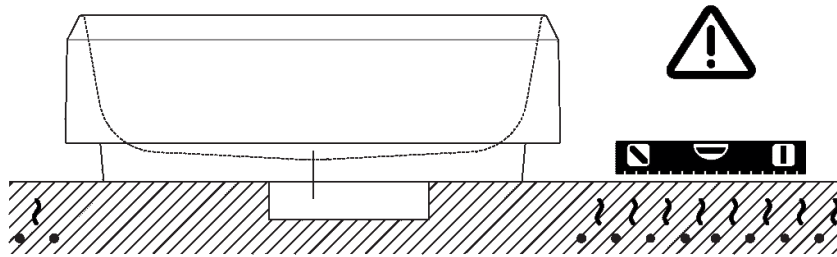
Dimensions for freestanding spouts



	A	B	C	D	E	F
FEZ 2 (EFEZ026, MET885) (EFEZ028)	90 (3 ³⁵ / ₆₄) 135 (5 ⁵ / ₁₆)	170 (6 ¹¹ / ₁₆) 210 (8 ¹⁷ / ₆₄)	430 (16 ⁵⁹ / ₆₄) 470 (18 ¹ / ₂)	555 (21 ²⁷ / ₃₂) 595 (23 ²⁷ / ₆₄)	735 (28 ¹⁵ / ₁₆) 775 (30 ³³ / ₆₄)	1010 (39 ⁴⁹ / ₆₄) 1050 (41 ¹¹ / ₃₂)
LIMÓN (ELIM425)	135 (5 ⁵ / ₁₆)	210 (8 ¹⁷ / ₆₄)	470 (18 ¹ / ₂)	595 (23 ²⁷ / ₆₄)	775 (30 ³³ / ₆₄)	1050 (41 ¹¹ / ₃₂)
MEMORY (EMEM325)	135 (5 ⁵ / ₁₆)	210 (8 ¹⁷ / ₆₄)	470 (18 ¹ / ₂)	595 (23 ²⁷ / ₆₄)	775 (30 ³³ / ₆₄)	1050 (41 ¹¹ / ₃₂)
MEMORY MIX (EMIX425)	135 (5 ⁵ / ₁₆)	210 (8 ¹⁷ / ₆₄)	470 (18 ¹ / ₂)	595 (23 ²⁷ / ₆₄)	775 (30 ³³ / ₆₄)	1050 (41 ¹¹ / ₃₂)
LIMÓN / MEMORY / MEMORY MIX (EMEM327)	90 (3 ³⁵ / ₆₄)	170 (6 ¹¹ / ₁₆)	430 (16 ⁵⁹ / ₆₄)	555 (21 ²⁷ / ₃₂)	735 (28 ¹⁵ / ₁₆)	1010 (39 ⁴⁹ / ₆₄)
SQUARE (ERUB1112, ERUB1115)	90 (3 ³⁵ / ₆₄)	170 (6 ¹¹ / ₁₆)	430 (16 ⁵⁹ / ₆₄)	555 (21 ²⁷ / ₃₂)	735 (28 ¹⁵ / ₁₆)	1010 (39 ⁴⁹ / ₆₄)
SEN (ESEN0911, ESEN0977)	90 (3 ³⁵ / ₆₄)	130 (5 ¹ / ₈)	390 (15 ²³ / ₆₄)	515 (20 ⁹ / ₃₂)	695 (27 ²³ / ₆₄)	970 (38 ³ / ₁₆)



Notes



La vasca deve essere installata su un pavimento perfettamente piano.
The bathtub must be positioned on a flat floor surface.

E' necessario predisporre a pavimento un pozzetto.
It is necessary to prepare a recess in the floor.

Evitare di realizzare impianti di riscaldamento nell'area sottostante la vasca.
Avoid the installation of floor heating plants in the area under the bathtub.