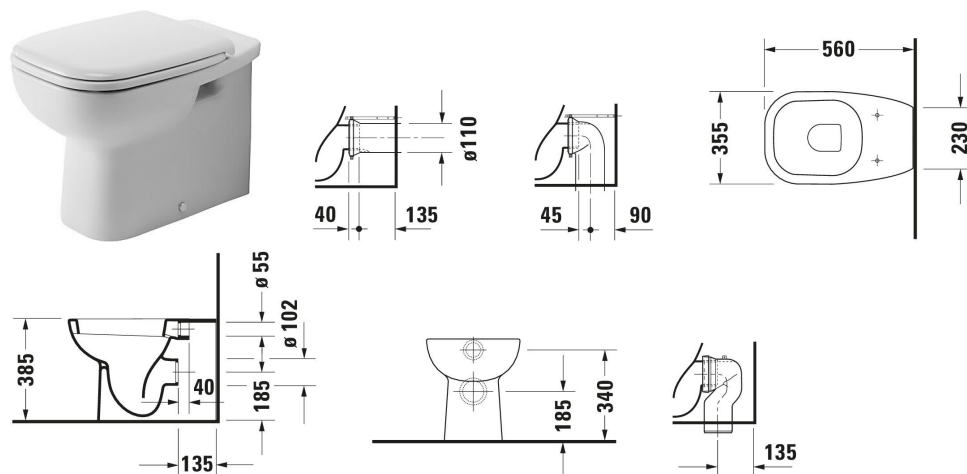


**D-Code Floorstanding toilet # 211509..002 / 211509..002**

| &lt; 355 mm &gt; |



Floorstanding toilet	Dimension	Weight	Order number
Back to wall version, Flush water quantity: 6/3 l, Washdown model, Flushing rim: Open, Outlet drain: horizontal, Position outlet: Back, Flush principle: washdown model, For independent water supply, Incl. mounting material, Unified Water Label (UWL) Class: 2			
<b>Colors</b>			
00 White Alpin 20 HygieneGlaze (an antibacterial ceramic glaze that provides almost indefinite effectiveness)			
<b>Variant</b>			
♦ White High Gloss, Flush water quantity: 6 l, Flushing rim: Semi-open, Outlet dimensions for Vario outlet set vertical/horizontal: 0	355x385 mm	22.000 kg	211509..002
♦ White High Gloss, HygieneGlaze, Flush water quantity: 6 l, Flushing rim: Semi-open, Outlet dimensions for Vario outlet set vertical/horizontal: 0	355x385 mm	22.000 kg	211509..002
<b>Suitable products</b>			
Toilet seat Automatic close: Yes, Hinge material: Plastic, 359 x 443 mm	359 x 443 mm		006739
Toilet seat Automatic close: No, Hinge material: Stainless steel, 360 x 430 mm	360 x 430 mm		006731

All drawings contain the necessary measurements which are subject to standard tolerances. They are stated in mm and are non-binding. Exact measurements, in particular for customised installation scenarios, can only be taken from the finished piece.