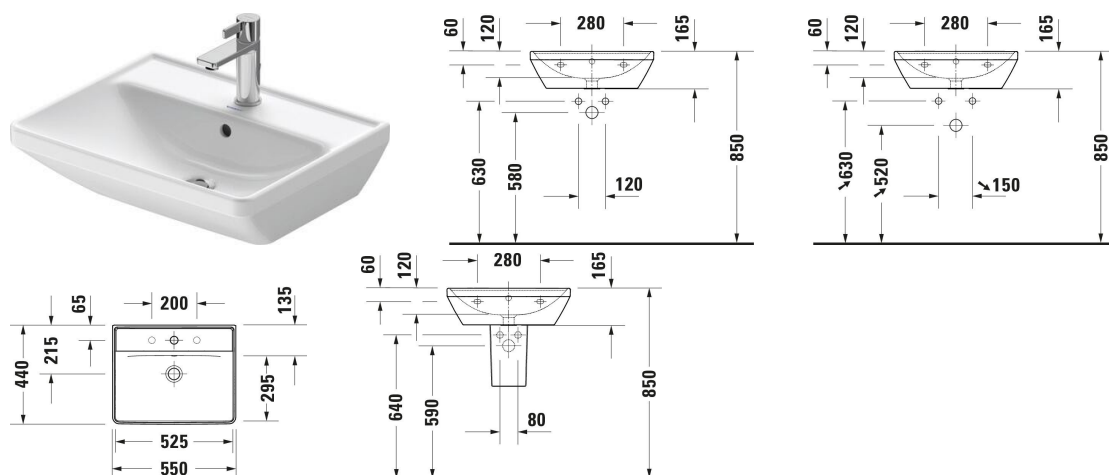


D-Neo Washbasin # 2366550000 / 2366550060

| < 550 mm > |



Washbasin	Dimension	Weight	Order number
D-shaped, Tap hole platform: Yes, Overflow: Yes, Underside glazed, Back side glazed: No, 550 mm			
Colors			
00 White Alpin			
Variant			
● White High Gloss, Rectangular, Number of washing areas: 1 Middle, Number of faucet holes per wash area: 1 Middle	550x165 mm	15.800 kg	2366550000
⊗ White High Gloss, Rectangular, Number of washing areas: 1 Middle	550x165 mm	15.800 kg	2366550060
Accessory for White High Gloss, Rectangular, Number of washing areas: 1 Middle, Number of faucet holes per wash area: 1 Middle			
Push-open waste Suitable for washbasin with overflow, Ø 63,5 mm	Ø 63.5 mm	0.34 kg	005052
Siphon	310 x 115 mm	0.32 kg	005026
Design siphon Material: Brass, Outlet drain: horizontal, Suitable for Washbasin	70 x 425 mm	1.5 kg	005036
Suitable products			
Siphon cover Type of mounting: Wall-mounted, Incl. mounting material, 175 x 280 mm	175 x 280 mm		085843
Pedestal Type of mounting: Floorstanding, 170 x 190 mm	170 x 190 mm		085842
Recommended faucets			

<p>Single lever basin mixer M Ceramic cartridge, Height: 175 mm, Spout reach: 113 mm, Connection type for water supply connection: Flexible connecting hoses, Dimension of connection hose: 3/8", Spray mode: Normal spray, Aerator adjustable, recommended operating pressure: 1 - 5 bar, Noise class: I, Handle version: lever handle, 143 x 41 mm</p>	143 x 41 mm	C11020001
<p>Single lever basin mixer M Chrome, Ceramic cartridge, Height: 170 mm, Spout reach: 139 mm, Connection type for water supply connection: Flexible connecting hoses, Dimension of connection hose: 3/8", Spray mode: Normal spray, Aerator adjustable, Temperature limit adjustable, recommended operating pressure: 1 - 5 bar, Noise class: I, Handle version: lever handle, 175 x 41 mm</p>	175 x 41 mm	B11020001
<p>Single lever basin mixer M Chrome, Ceramic cartridge, Height: 165 mm, Spout reach: 138,5 mm, Connection type for water supply connection: Flexible connecting hoses, Dimension of connection hose: 3/8", Spray mode: Normal spray, Aerator adjustable, Temperature limit adjustable, recommended operating pressure: 1 - 5 bar, Noise class: I, Handle version: lever handle, 175 x 41 mm</p>	175 x 41 mm	B21020001
<p>Single lever basin mixer Ceramic cartridge, Height: 74 mm, Connection type for water supply connection: Basic Set, Spray mode: Normal spray, Aerator adjustable, Including trim parts, recommended operating pressure: 1 - 5 bar, Noise class: I, Handle version: lever handle, Unified Water Label (UWL) Class: 1, 173 x 174 mm</p>	173 x 174 mm	C11070003
<p>Single lever basin mixer M Chrome, Ceramic cartridge, Height: 170 mm, Spout reach: 139 mm, Connection type for water supply connection: Flexible connecting hoses, Dimension of connection hose: 3/8", Spray mode: Normal spray, Aerator adjustable, Temperature limit adjustable, recommended operating pressure: 1 - 5 bar, Noise class: I, Handle version: lever handle, 175 x 50 mm</p>	175 x 50 mm	B11020002
<p>Single lever basin mixer Ceramic cartridge, Height: 74 mm, Connection type for water supply connection: Basic Set, Spray mode: Normal spray, Aerator adjustable, Including trim parts, recommended operating pressure: 1 - 5 bar, Noise class: I, Handle version: lever handle, Unified Water Label (UWL) Class: 1, 173 x 225 mm</p>	173 x 225 mm	C11070004
<p>Single lever basin mixer M Chrome, Ceramic cartridge, Height: 165 mm, Spout reach: 138,5 mm, Connection type for water supply connection: Flexible connecting hoses, Dimension of connection hose: 3/8", Spray mode: Normal spray, Aerator adjustable, Temperature limit adjustable, recommended operating pressure: 1 - 5 bar, Noise class: I, Handle version: lever handle, 175 x 41 mm</p>	175 x 41 mm	B21020002
<p>Single lever basin mixer S Chrome, Ceramic cartridge, Height: 125 mm, Spout reach: 95 mm, Connection type for water supply connection: Flexible connecting hoses, Dimension of connection hose: 3/8", Spray mode: Normal spray, Aerator, Temperature limit adjustable, recommended operating pressure: 1 - 5 bar, Handle version: lever handle, Unified Water Label (UWL) Class: 1, 137 x 43 mm</p>	137 x 43 mm	A11010002

<p>Single lever basin mixer M Chrome, Ceramic cartridge, Height: 167 mm, Spout reach: 107 mm, Connection type for water supply connection: Flexible connecting hoses, Dimension of connection hose: 3/8", Spray mode: Normal spray, Aerator, Temperature limit adjustable, recommended operating pressure: 1 - 5 bar, Handle version: lever handle, Unified Water Label (UWL) Class: 1, 149 x 43 mm</p>	149 x 43 mm	A11020001
<p>Single lever basin mixer M Chrome, Ceramic cartridge, Height: 167 mm, Spout reach: 107 mm, Connection type for water supply connection: Flexible connecting hoses, Dimension of connection hose: 3/8", Spray mode: Normal spray, Aerator, Temperature limit adjustable, recommended operating pressure: 1 - 5 bar, Handle version: lever handle, Unified Water Label (UWL) Class: 1, 149 x 43 mm</p>	149 x 43 mm	A11020002
<p>Single lever basin mixer M Chrome, Ceramic cartridge, Height: 165 mm, Spout reach: 109 mm, Connection type for water supply connection: Flexible connecting hoses, Dimension of connection hose: 3/8", Spray mode: Normal spray, Aerator adjustable, Temperature limit adjustable, Flow rate (3 bar): 5 l/min, recommended operating pressure: 1 - 5 bar, Handle version: lever handle, 50 x 154 mm</p>	50 x 154 mm	DE1020001
<p>Single lever basin mixer M FreshStart FreshStart, Chrome, Ceramic cartridge, Height: 165 mm, Spout reach: 109 mm, Connection type for water supply connection: Flexible connecting hoses, Dimension of connection hose: 3/8", Spray mode: Normal spray, Aerator adjustable, Temperature limit adjustable, Flow rate (3 bar): 5,5 l/min, recommended operating pressure: 1 - 5 bar, Handle version: lever handle, 50 x 154 mm</p>	50 x 154 mm	DE1021001

All drawings contain the necessary measurements which are subject to standard tolerances. They are stated in mm and are non-binding. Exact measurements, in particular for customised installation scenarios, can only be taken from the finished piece.