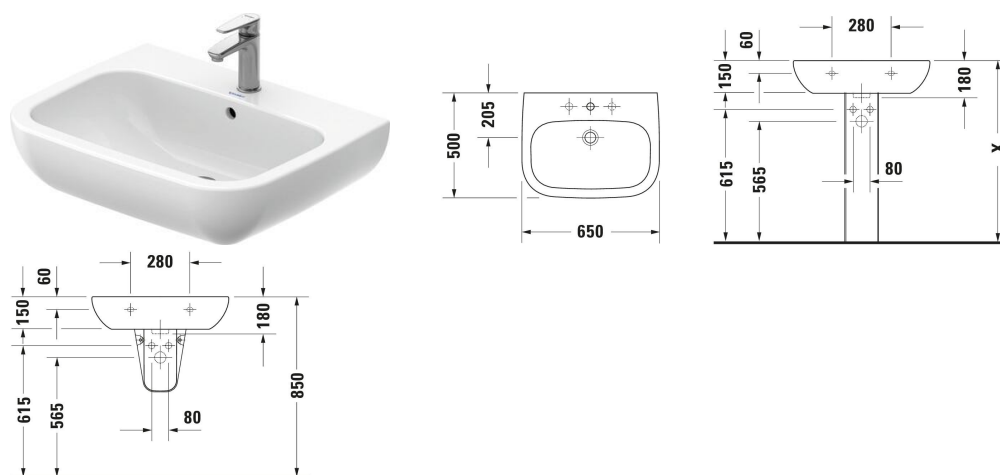


D-Code Washbasin # 23106500002

| < 650 mm > |



Washbasin	Dimension	Weight	Order number
Semi-circular, Tap hole platform: Yes, Overflow: Yes, Underside glazed, Back side glazed: No, 650 mm			
Colors			
00 White Alpin			
Variant			
● White High Gloss, Number of washing areas: 1 Middle, Number of faucet holes per wash area: 1 Middle	650x180 mm	21.600 kg	23106500002
Accessory			
Push-open waste Suitable for washbasin with overflow, Ø 63,5 mm	Ø 63.5 mm	0.34 kg	005052
Suitable products			
Siphon cover Type of mounting: Wall-mounted, 245 x 268 mm	245 x 268 mm		085718
Pedestal Type of mounting: Floorstanding, 170 x 190 mm	170 x 190 mm		086327
Vanity unit wall-mounted Number of doors: 1, Handle Silver, Automatic door hinge with damping, Necessary articles: Washbasin D-Code # 231055, 231060, 231065, 400 x 360 mm	400 x 360 mm		KT6658 L/R
Recommended faucets			
Single lever basin mixer M Ceramic cartridge, Height: 175 mm, Spout reach: 113 mm, Connection type for water supply connection: Flexible connecting hoses, Dimension of connection hose: 3/8", Spray mode: Normal spray, Aerator adjustable, recommended operating pressure: 1 - 5 bar, Noise class: I, Handle version: lever handle, 143 x 41 mm	143 x 41 mm		C11020001

<p>Single lever basin mixer M Chrome, Ceramic cartridge, Height: 170 mm, Spout reach: 139 mm, Connection type for water supply connection: Flexible connecting hoses, Dimension of connection hose: 3/8", Spray mode: Normal spray, Aerator adjustable, Temperature limit adjustable, recommended operating pressure: 1 - 5 bar, Noise class: I, Handle version: lever handle, 175 x 41 mm</p>	175 x 41 mm	B11020001
<p>Single lever basin mixer M Chrome, Ceramic cartridge, Height: 165 mm, Spout reach: 138,5 mm, Connection type for water supply connection: Flexible connecting hoses, Dimension of connection hose: 3/8", Spray mode: Normal spray, Aerator adjustable, Temperature limit adjustable, recommended operating pressure: 1 - 5 bar, Noise class: I, Handle version: lever handle, 175 x 41 mm</p>	175 x 41 mm	B21020001
<p>Single lever basin mixer L Ceramic cartridge, Height: 262 mm, Spout reach: 136 mm, Connection type for water supply connection: Flexible connecting hoses, Dimension of connection hose: 3/8", Spray mode: Normal spray, Aerator adjustable, recommended operating pressure: 1 - 5 bar, Noise class: I, Handle version: lever handle, 166 x 40 mm</p>	166 x 40 mm	C11030001
<p>Single lever basin mixer Ceramic cartridge, Height: 74 mm, Connection type for water supply connection: Basic Set, Spray mode: Normal spray, Aerator adjustable, Including trim parts, recommended operating pressure: 1 - 5 bar, Noise class: I, Handle version: lever handle, Unified Water Label (UWL) Class: 1, 173 x 174 mm</p>	173 x 174 mm	C11070003
<p>Single lever basin mixer M Chrome, Ceramic cartridge, Height: 170 mm, Spout reach: 139 mm, Connection type for water supply connection: Flexible connecting hoses, Dimension of connection hose: 3/8", Spray mode: Normal spray, Aerator adjustable, Temperature limit adjustable, recommended operating pressure: 1 - 5 bar, Noise class: I, Handle version: lever handle, 175 x 50 mm</p>	175 x 50 mm	B11020002
<p>Single lever basin mixer Ceramic cartridge, Height: 74 mm, Connection type for water supply connection: Basic Set, Spray mode: Normal spray, Aerator adjustable, Including trim parts, recommended operating pressure: 1 - 5 bar, Noise class: I, Handle version: lever handle, Unified Water Label (UWL) Class: 1, 173 x 225 mm</p>	173 x 225 mm	C11070004
<p>2 Hole basin mixer electronic M Height: 157 mm, Spout reach: 148 mm, Temperature control: Ceramic cartridge, Aerator adjustable, Connection type for water supply connection: Flexible connecting hoses, Dimension of connection hose: 3/8", Temperature limit adjustable, Flow rate (3 bar): 5 l/min, Adjustable water run time, Hygienic flush, Spray mode: Normal spray, Incl. spout, Incl. control unit, Incl. operating unit, Operation type: Controller, without pop-up waste set, Electronic control: power supply, Protection type: IPX4, 198 x 45 mm</p>	198 x 45 mm	D11100008
<p>2 Hole basin mixer electronic M Height: 157 mm, Spout reach: 148 mm, Temperature control: Ceramic cartridge, Aerator adjustable, Connection type for water supply connection: Flexible connecting hoses, Dimension of connection hose: 3/8", Temperature limit adjustable, Flow rate (3 bar): 5 l/min, Adjustable water run time, Hygienic flush, Spray mode: Normal spray, Incl. spout, Incl. control unit, Incl. operating unit, Operation type: Controller, without pop-up waste set, Electronic control: power supply, Protection type: IPX4, 198 x 45 mm</p>	198 x 45 mm	D11100007

2 Hole basin mixer M Height: 157 mm, Spout reach: 148 mm, Temperature control: Ceramic cartridge, Aerator adjustable, Connection type for water supply connection: Flexible connecting hoses, Dimension of connection hose: 3/8", Flow rate (3 bar): 5 l/min, Spray mode: Normal spray, Operation type: Mechanical, without pop-up waste set, 198 x 45 mm	198 x 45 mm	D11120002
2 Hole basin mixer M Height: 157 mm, Spout reach: 148 mm, Temperature control: Ceramic cartridge, Aerator adjustable, Connection type for water supply connection: Flexible connecting hoses, Dimension of connection hose: 3/8", Flow rate (3 bar): 5 l/min, Spray mode: Normal spray, Operation type: Mechanical, without pop-up waste set, 198 x 45 mm	198 x 45 mm	D11120009

All drawings contain the necessary measurements which are subject to standard tolerances. They are stated in mm and are non-binding. Exact measurements, in particular for customised installation scenarios, can only be taken from the finished piece.