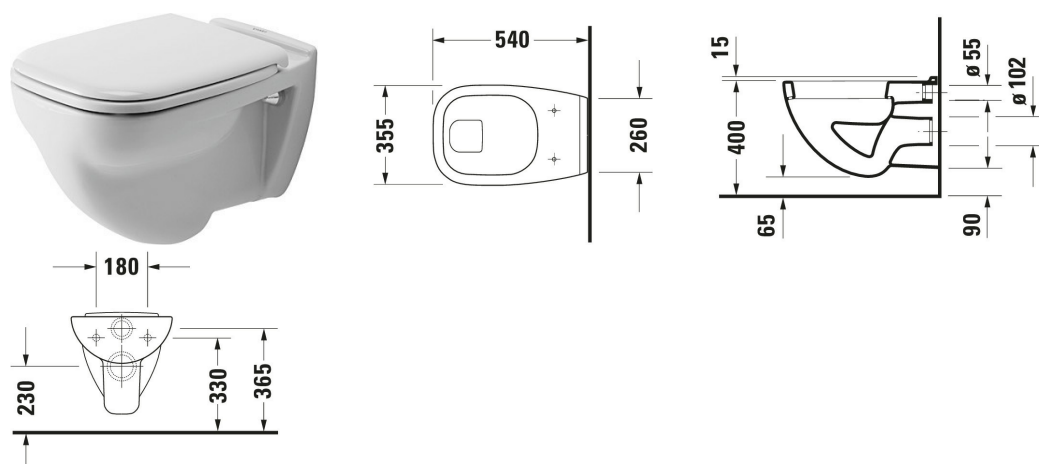


D-Code Wall-mounted toilet # 221009..002 / 221009..002

| < 355 mm > |



Wall-mounted toilet	Dimension	Weight	Order number
Flush water quantity: 6/3 l, Washout model, Flushing rim: Closed, Flush principle: washdown model, Outlet drain horizontal, Unified Water Label (UWL) Class: 2			
Colors			
00 White Alpin 20 HygieneGlaze (an antibacterial ceramic glaze that provides almost indefinite effectiveness)			
Variant			
◆ White High Gloss, Flush water quantity: 6 l	355x350 mm	18.200 kg	221009..002
◆ White High Gloss, HygieneGlaze, Flush water quantity: 6 l	355x350 mm	18.200 kg	221009..002
Accessory for ceramics			
Fixation Suitable for Wall-mounted bidet, Wall-mounted toilet	Ø 12 mm	0.28 kg	006500
Suitable products			
Toilet seat Automatic close: Yes, Hinge material: Plastic, 359 x 443 mm	359 x 443 mm		006739
Toilet seat Automatic close: No, Hinge material: Stainless steel, 360 x 430 mm	360 x 430 mm		006731
Installation element dry installation for WC Standard 6 l, Powder-coated, Type of installation: In standard lightweight construction, In front of solid wall, Type of mounting: Drywall, Max. projection toilet: 625 mm, Height with feet: 240 mm, Flush operation: Mechanical, Flush operation position: Front, Adjustable flush volumes, Flush type: Dual Flush, insulated against condensation, Throttle for regulating the flush flow, Self-supporting, Suitable for panelling with plasterboards, Small flushing volume: 3 l, Large flushing volume: 6 l, 500 x 155 mm	500 x 155 mm		WD1011

<p>Installation element dry installation for WC Odour extraction, Fan activation: Manual, 6 l, Powder-coated, Type of installation: In standard lightweight construction, In front of solid wall, Type of mounting: Drywall, Max. projection toilet: 625 mm, Height with feet: 240 mm, Flush operation: Mechanical, Flush operation position: Front, Adjustable flush volumes, Flush type: Dual Flush, insulated against condensation, Throttle for regulating the flush flow, Self-supporting, Suitable for panelling with plasterboards, Small flushing volume: 3 l, Large flushing volume: 6 l, 500 x 155 mm</p>	500 x 155 mm	WD1012
<p>Installation element dry installation for WC Hygienic flush, 6 l, Powder-coated, Type of installation: In standard lightweight construction, In front of solid wall, Type of mounting: Drywall, Max. projection toilet: 625 mm, Height with feet: 240 mm, Flush operation: Electronic, Flush operation position: Front, Adjustable flush volumes, Flush type: Dual Flush, insulated against condensation, Throttle for regulating the flush flow, Self-supporting, Suitable for panelling with plasterboards, Small flushing volume: 3 l, Large flushing volume: 6 l, 500 x 155 mm</p>	500 x 155 mm	WD1013
<p>Installation element dry installation for WC Odour extraction, Fan activation: Automatic, Manual, At the touch of a button, Touchless, Hygienic flush, 6 l, Powder-coated, Type of installation: In standard lightweight construction, In front of solid wall, Type of mounting: Drywall, Max. projection toilet: 625 mm, Height with feet: 240 mm, Flush operation: Electronic, Flush operation position: Front, Adjustable flush volumes, Flush type: Dual Flush, insulated against condensation, Throttle for regulating the flush flow, Self-supporting, Suitable for panelling with plasterboards, Small flushing volume: 3 l, Large flushing volume: 6 l, 500 x 155 mm</p>	500 x 155 mm	WD1014
<p>Installation element wet installation for WC Type of installation: For walling in and out, Type of mounting: Wet installation, Max. projection toilet: 700 mm, Flush operation: Mechanical, Flush operation position: Front, Adjustable flush volumes, Flush type: Dual Flush, insulated against condensation, Throttle for regulating the flush flow, 445 x 153 mm</p>	445 x 153 mm	WD1015
<p>Installation element dry installation for WC Standard 6 l, Powder-coated, Type of installation: In standard lightweight construction, In front of solid wall, Type of mounting: Drywall, Max. projection toilet: 625 mm, Height with feet: 240 mm, Flush operation: Mechanical, Flush operation position: FrontTop, Adjustable flush volumes, Flush type: Dual Flush, insulated against condensation, Throttle for regulating the flush flow, Self-supporting, Suitable for panelling with plasterboards, Small flushing volume: 3 l, Large flushing volume: 6 l, 500 x 155 mm</p>	500 x 155 mm	WD1016
<p>Installation element dry installation for WC Basic 6 l, Powder-coated, Type of installation: In standard lightweight construction, In front of solid wall, Type of mounting: Drywall, Max. projection toilet: 625 mm, Height with feet: 240 mm, Flush operation: Mechanical, Flush operation position: FrontTop, Adjustable flush volumes, Flush type: Dual Flush, insulated against condensation, Throttle for regulating the flush flow, Self-supporting, Suitable for panelling with plasterboards, Small flushing volume: 3 l, Large flushing volume: 6 l, 500 x 155 mm</p>	500 x 155 mm	WD1017

D-Code Wall-mounted toilet # 221009..002 / 221009..002

|< 355 mm >|

<p>Installation element dry installation for WC Standard 6 l, Powder-coated, Type of installation: In standard lightweight construction, In front of solid wall, Type of mounting: Drywall, Max. projection toilet: 625 mm, Height with feet: 240 mm, Flush operation: Mechanical, Flush operation position: FrontTop, Adjustable flush volumes, Flush type: Dual Flush, insulated against condensation, Throttle for regulating the flush flow, Self-supporting, Suitable for panelling with plasterboards, Small flushing volume: 3 l, Large flushing volume: 6 l, 500 x 155 mm</p>	500 x 155 mm	WD1018
<p>Installation element dry installation for WC Basic 6 l, Powder-coated, Type of installation: In standard lightweight construction, In front of solid wall, Type of mounting: Drywall, Max. projection toilet: 625 mm, Height with feet: 240 mm, Flush operation: Mechanical, Flush operation position: FrontTop, Adjustable flush volumes, Flush type: Dual Flush, insulated against condensation, Throttle for regulating the flush flow, Self-supporting, Suitable for panelling with plasterboards, Small flushing volume: 3 l, Large flushing volume: 6 l, 500 x 155 mm</p>	500 x 155 mm	WD1019
<p>Installation element dry installation for WC Basic 6 l, Powder-coated, Type of installation: In standard lightweight construction, In front of solid wall, Type of mounting: Drywall, Max. projection toilet: 625 mm, Height with feet: 240 mm, Flush operation: Mechanical, Flush operation position: Front, Adjustable flush volumes, Flush type: Dual Flush, insulated against condensation, Throttle for regulating the flush flow, Self-supporting, Suitable for panelling with plasterboards, Small flushing volume: 3 l, Large flushing volume: 6 l, 500 x 155 mm</p>	500 x 155 mm	WD1020

All drawings contain the necessary measurements which are subject to standard tolerances. They are stated in mm and are non-binding. Exact measurements, in particular for customised installation scenarios, can only be taken from the finished piece.