
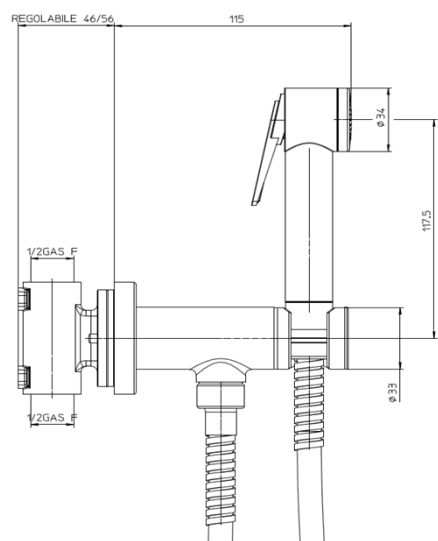
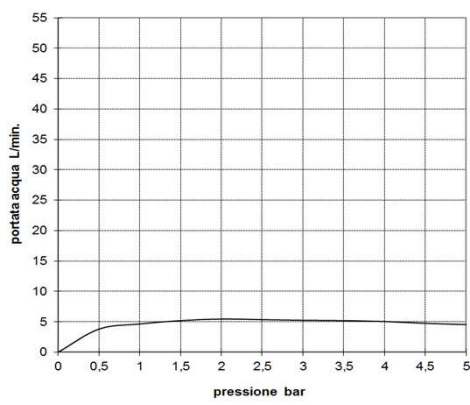


BOSSINI		SCHEDA TECNICA TECHNICAL SHEET		Date: 27/06/2014	Rev/0																										
Codice / Code: E37011		Descrizione / description: PALOMA FLAT MIXER SET Progressive Mixer Kit with brass Bidet Handspray and D. int. Brass Hose 125CM																													
Foto / image		Disegni / drawings																													
																															
Grafico di portata / Flow rate diagram																															
		<table border="1"> <thead> <tr> <th></th> <th>rain</th> </tr> </thead> <tbody> <tr><td>0</td><td>0</td></tr> <tr><td>0,5</td><td>3,8</td></tr> <tr><td>1</td><td>4,65</td></tr> <tr><td>1,5</td><td>5,2</td></tr> <tr><td>2</td><td>5,45</td></tr> <tr><td>2,5</td><td>5,35</td></tr> <tr><td>3</td><td>5,25</td></tr> <tr><td>3,5</td><td>5,2</td></tr> <tr><td>4</td><td>5,05</td></tr> <tr><td>4,5</td><td>4,75</td></tr> <tr><td>5</td><td>4,55</td></tr> <tr> <td>pressione bar</td> <td>portata L/min</td> </tr> </tbody> </table>					rain	0	0	0,5	3,8	1	4,65	1,5	5,2	2	5,45	2,5	5,35	3	5,25	3,5	5,2	4	5,05	4,5	4,75	5	4,55	pressione bar	portata L/min
	rain																														
0	0																														
0,5	3,8																														
1	4,65																														
1,5	5,2																														
2	5,45																														
2,5	5,35																														
3	5,25																														
3,5	5,2																														
4	5,05																														
4,5	4,75																														
5	4,55																														
pressione bar	portata L/min																														
MATERIALI / materials																															
Brass																															
CARATTERISTICHE IDRAULICHE / hydraulic features																															
	pressione pressure	portata flow rate	temperatura temperature	<i>solo per miscelatori termostatici</i> <i>only for thermostatic mixers</i>																											
min	1 bar	L/min	--	Blocco di sicurezza safety lock	/																										
max	5 bar	5 L/min	<70°C	Temperatura acqua fredda cold water temperature	/																										
consigliata recommende	2-3 bar	5 L/min	°C	Temperatura acqua calda hot water temperature	/																										
CERTIFICAZIONI / CERTIFICATIONS																															
Flexible Hose A03045 - ACS, NF, KIWA																															
Handspray B00462 - ACS																															
CONFORMITA' / CONFORMITY																															