



Multiplex Trio drain/overflow

Visign MT5

flat version; only 33 mm space required behind the bathtub

- for water supply through the overflow unit

Equipment

chrome-plated rotatable rosette, chrome-plated drain plug, chrome-plated cover rosette, inlet flange, odour trap, waste elbow 45°, chrome-plated valve

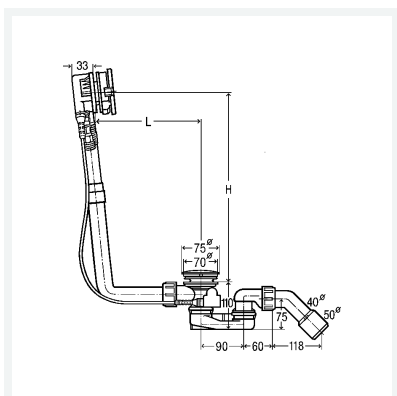
Note

See current overview for usage notes.

quality controlled in accordance with DIN EN 274

Model 6161.50

Article 727 734



Properties

Water seal level	WSL	50 mm
Drainage capacity 300 mm (in accordance with DIN EN 274)	DC 300	0.92 l/s
Spillway capacity accumulation height 60 mm over mid of spill hole	OC 60	0.63 l/s
Nominal diameter	DN	40/50
Bowden cable length	BCL	560
Length	L	100–260
Height	H	180–400
Standard bathtub	SB	✓
For bathtub with Ø 52 drain hole	B52	✓

Data sheet



Multiplex Trio drain/overflow
Visign MT5
flat version; only 33 mm space required behind the bathtub
Model 6161.50
Article 727 734

Properties

Weight	2.314 lb
Volume	18067.608 cm ³