

Data sheet



Drain connection

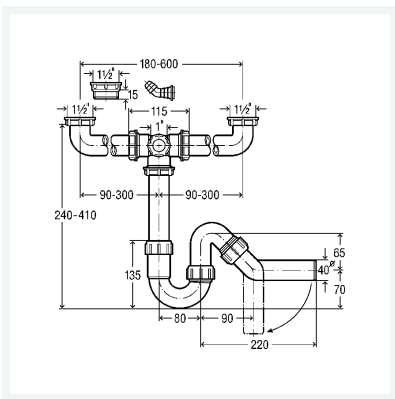
- for double sink

Equipment

centric drain, wastewater hose connection, height adjustment piece, pipe odour trap, waste elbow 45°

Model 7928.520

Article 124 205



Properties

Cylindrical thread	G	1½
Nominal diameter	DN	40
Dimension	DG	180–600
Weight	1.056 lb	
Volume	6442.8 cm ³	
Material	Material	plastic