

MN100L Monò 100

Countertop - wall hung basin 100 cm

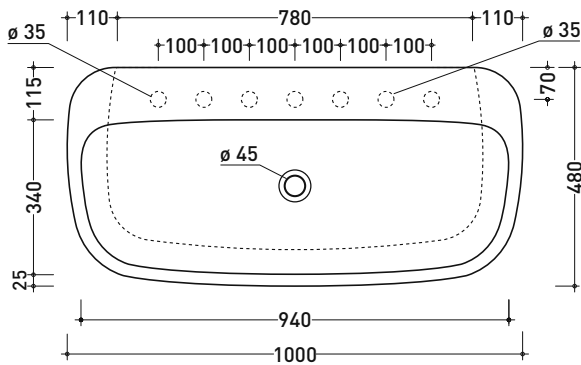
• without overflow • arranged for seven tap holes

Complements: **FORTY6 shelf (F6MN100)**
BOX wall hung vanity units depth 50 cm
CUBIKA wall hung vanity units depth 50 cm
DENVER furniture (DV103M)
Line taps basin: ONE - NOKÉ - FOLD - SI - X1
Line accessories: TWO - HOOP - NOKÉ - FOLD

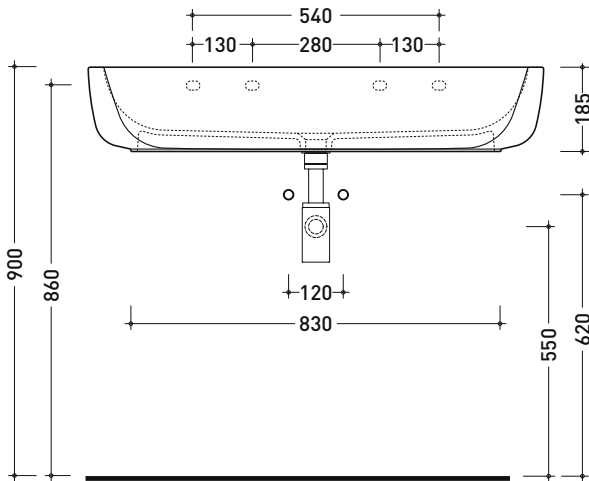
Technical accessories: **Chrome siphon (SIFL/CR) - Telescopic chrome siphon (SIFL066)**
Stop & Go drain (PLSG)
CERAMIC Stop & Go drain (PLCE)
Chrome waste with automatic integrated overflow (PLTPCR)
Waste with automatic integrated overflow and ceramic cover (PLTPCE)
Two piece set chrome tap filters (RF026)
Fixing kit for wall (9002)

Package dim. 101 x 19 x 50,5 cm | Weight 35,5 kg | Pz. Pallet n° 10

CE UNI EN 14688 - CL00 Dop-No14688

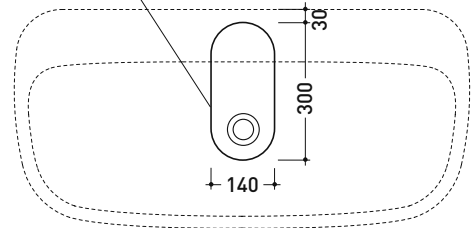


vista zenitale / zenital view

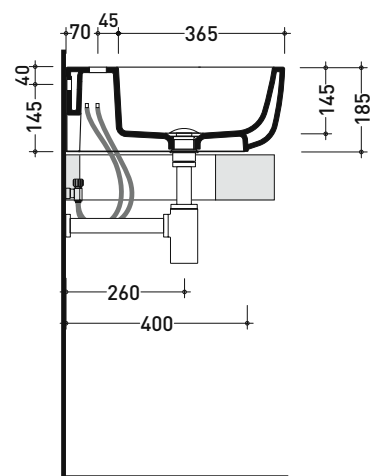


vista frontale / frontal view

foro consigliato sul piano
suggested hole on the top



vista zenitale / zenital view



sezione longitudinale / section

sizes in mm

CERAMIC: glossy finish



white black

matt finish



milky white carbone

Please consider a 2% tolerance on indicated measurements